

FLOE QUICK-ATTACH DOCK STAIRS BRACKETS

FLOE KIT P/N 510-02575-00

ASSEMBLY INSTRUCTIONS

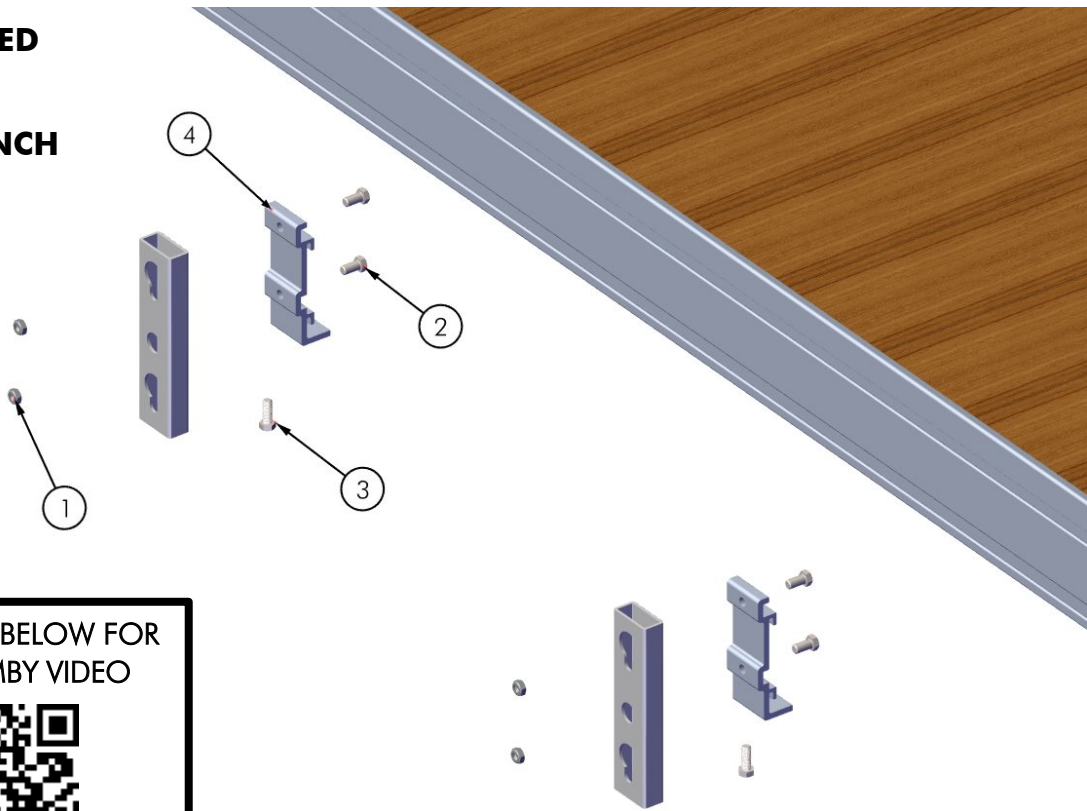


BOM/EXPLODED VIEW

| P/N 510-02575-00 | | KIT, QA SECTIONAL DOCK STEPS | |
|------------------|--------------|------------------------------|-------------------------------|
| NUMBER | PART NUMBER | QTY. | DESCRIPTION |
| 1 | 001-37026-00 | 4 | NUT, 3/8-16 JAM NYLOCK-ZINC |
| 2 | 001-70103-00 | 4 | HHCS, 3/8-16 x 3/4" 18-8 SS |
| 3 | 001-70105-00 | 2 | HHCS, 3/8-16 x 1" SS |
| 4 | 002-00150-00 | 1 | BRACKET, QUICK ATT. ACC. - 2" |

TOOLS REQUIRED

- 9/16" SOCKET
- TORQUE WRENCH



*MOUNTING TUBE NOT INCLUDED

SCAN QR CODE BELOW FOR
LINK TO ASSEMBY VIDEO



INSTALLATION

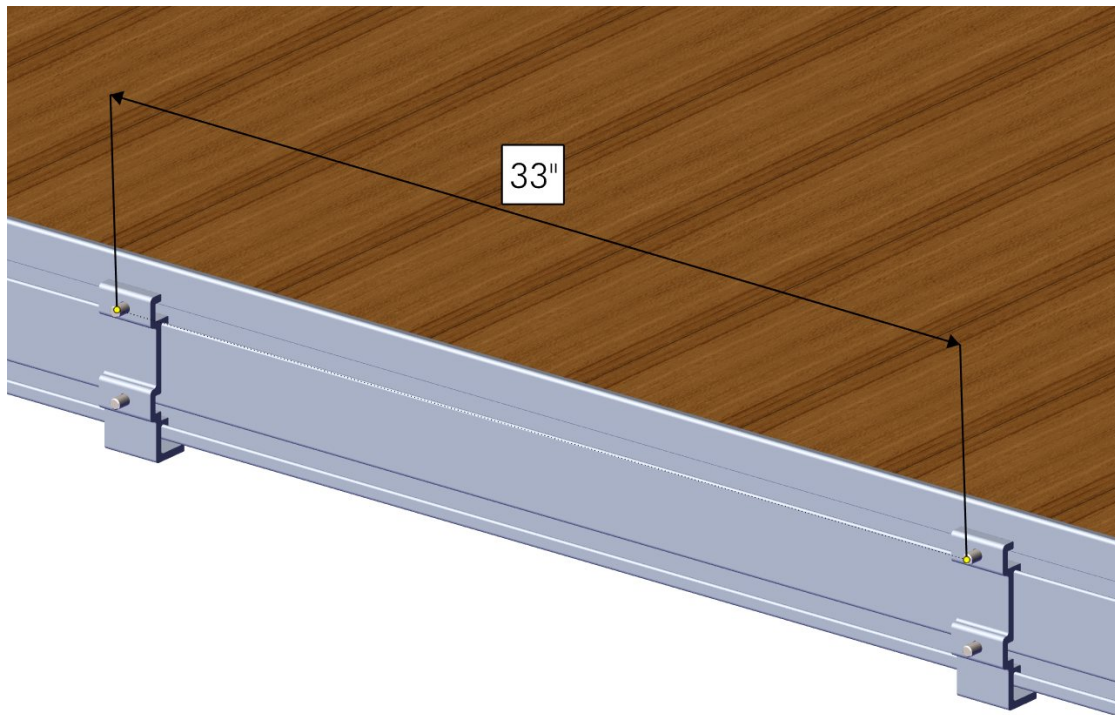
STEP 1

INSERT 3/8-16 x 3/4" BOLTS INTO EACH QUICK ATTACH BRACKET.



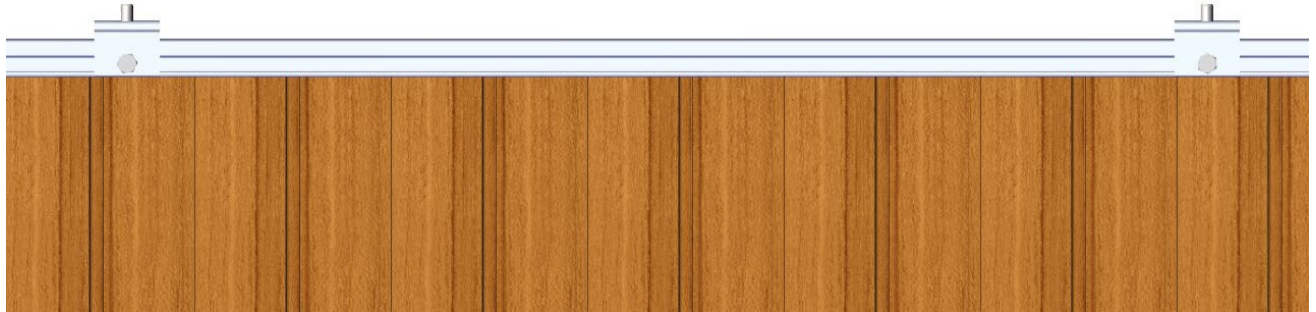
STEP 2

PLACE BRACKETS INTO DOCK SIDE. SPACE BRACKETS 33" INCHES BETWEEN CENTER TO CENTER.



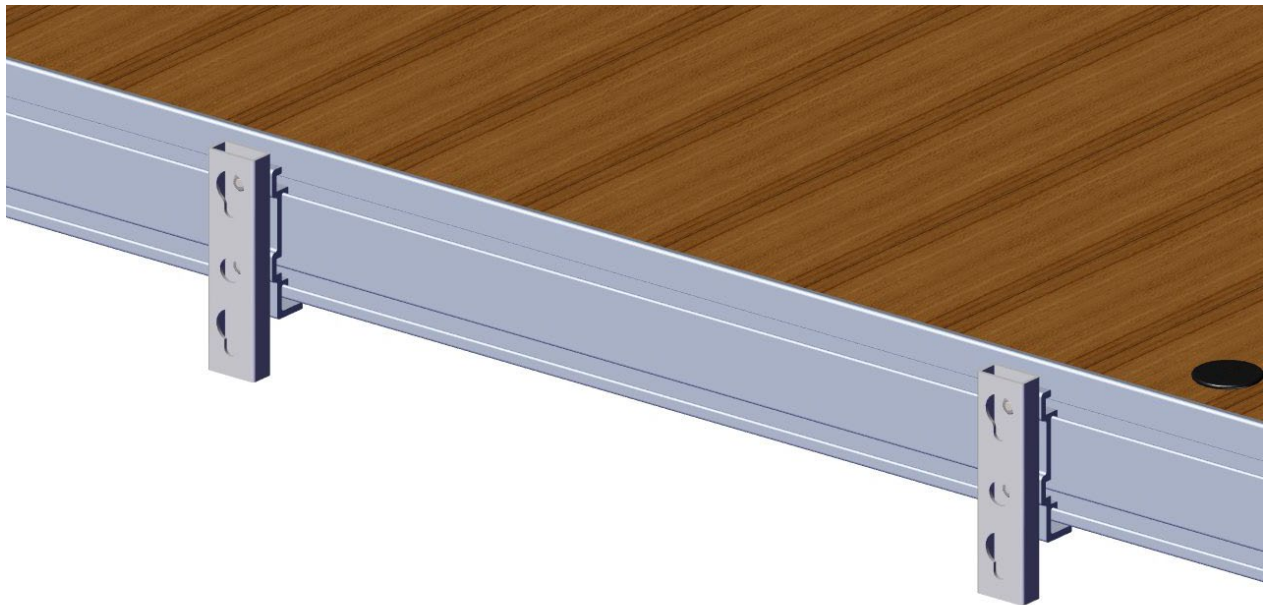
STEP 3

INSERT (2) 3/8-16 x 1" BOLTS INTO BOTTOM OF EACH QUICK ATTACH BRACKET. TORQUE TO 6 FT-LBS MAXIMUM.



STEP 4

PLACE DOCK STEPS MOUNTING TUBES (NOT INCLUDED) ON 3/8-16 x 3/4" BOLTS.



STEP 5

PLACE 3/8-16 JAM NYLOCK NUTS ON 3/8-16 x 3/4" BOLTS. TORQUE TO 35 FT-LBS.

