

FLOE QUICK-ATTACH FLAG POLE BRACKETS

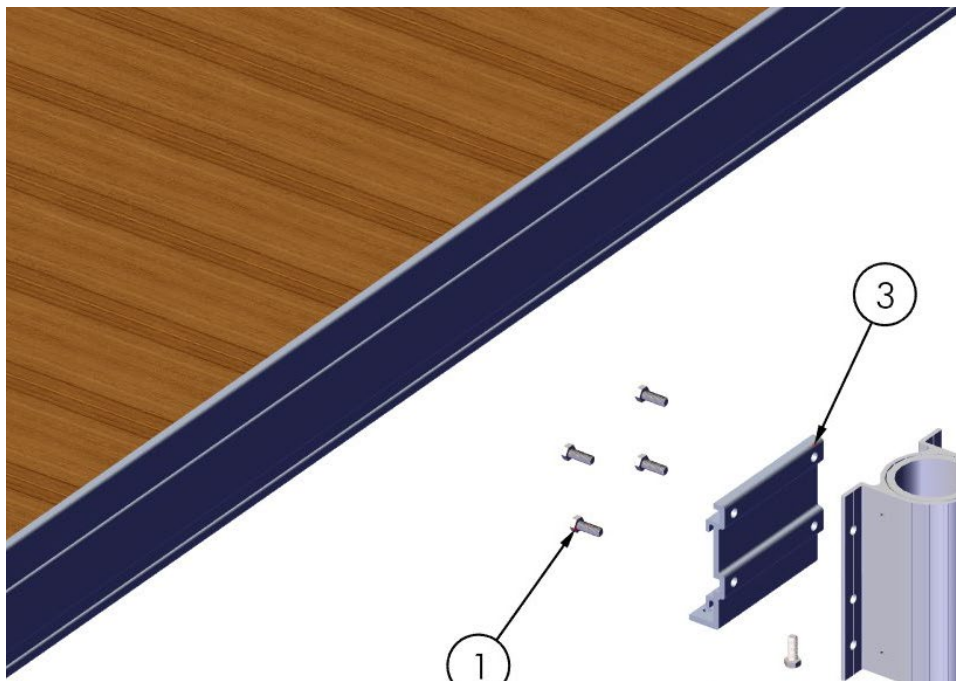
FLOE KIT P/N 510-02573-00

ASSEMBLY INSTRUCTIONS



BOM/EXPLODED VIEW

P/N 510-02573-00		KIT, QA SECTIONAL FLAG POLE	
NUMBER	PART NUMBER	QTY.	DESCRIPTION
1	001-70105-00	6	HHCS, 3/8-16 x 1" 18-8 SS
2	001-76071-00	4	NUT, NYLOCK 3/8-16 ALUM.
3	002-00161-00	1	BRACKET, QUICK ATT, FLAG POLE- 6.312"



TOOLS REQUIRED

- 9/16" Socket
- Torque Wrench



*FLAG POLE POCKET NOT INCLUDED

INSTALLATION

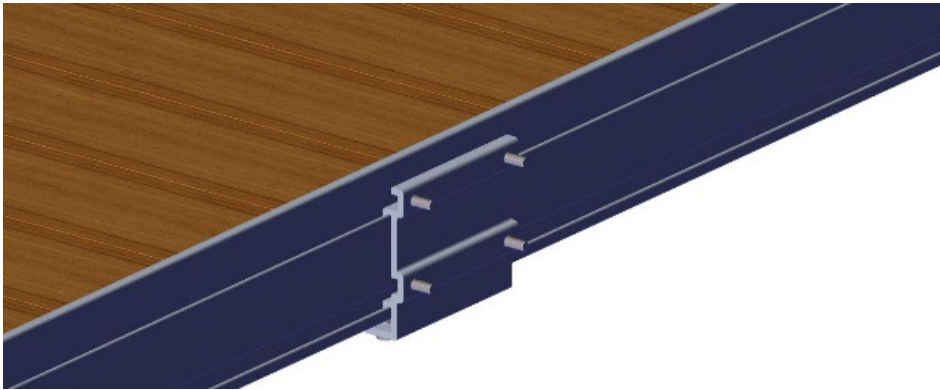
STEP 1

INSERT (4) 3/8-16 x 1" BOLTS INTO QUICK ATTACH BRACKET.



STEP 2

PLACE BRACKETS IN DOCK SIDE.

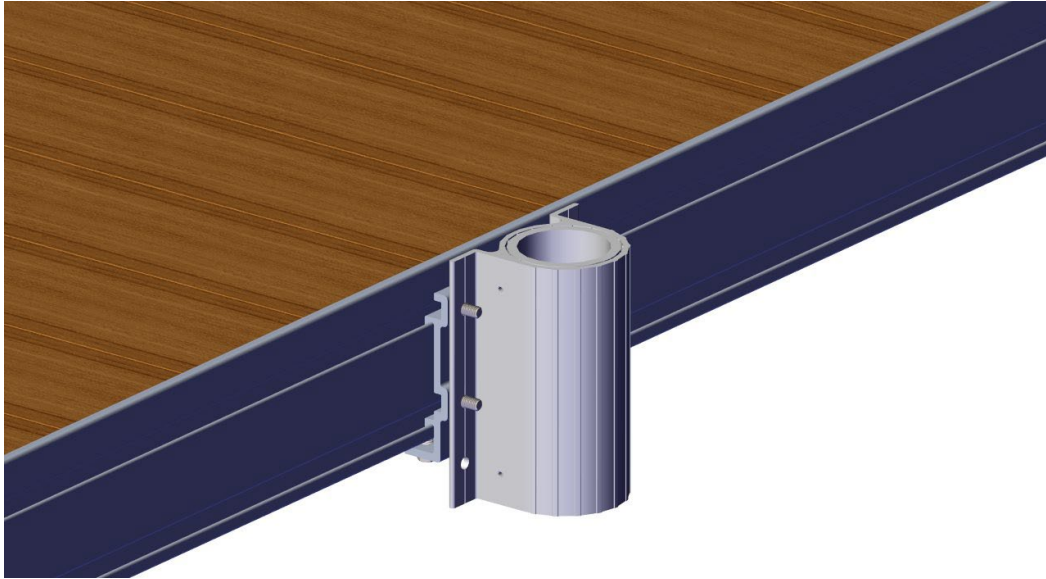


STEP 3

INSERT (2) 3/8-16 X 1" BOLTS INTO BOTTOM OF EACH BRACKET. TORQUE TO 6 FT-LBS MAXIMUM.



STEP 4



STEP 5

PLACE 3/8-16 NYLOCK NUTS ON HEX HEAD BOLTS AND TORQUE TO 35 FT-LBS.

