

FLOE QUICK-ATTACH SECTIONAL BRACKETS VERTICAL BUMPER/WATER ACCESSORY RACK



KIT P/N 510-02572-00

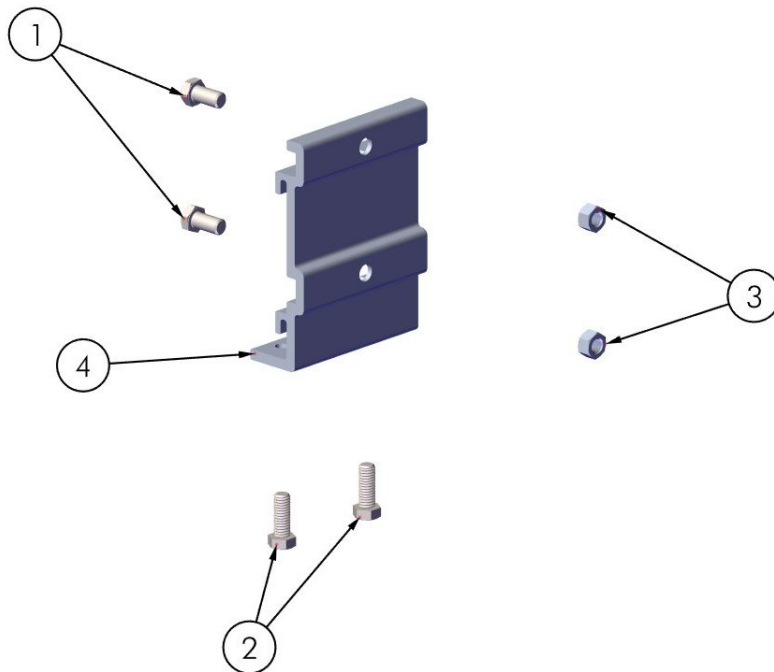
ASSEMBLY INSTRUCTIONS

BOM/EXPLODED VIEW

P/N 510-02572-00		KIT, QA SECTIONAL BRKT. VERT. BUMPER/WATER ACC.		
NUMBER	PART NUMBER	QTY.	DESCRIPTION	
1	001-70103-00	2	HHCS, 3/8-16 X 3/4" SS	
2	001-70105-00	2	HHCS, 3/8-16 X 1" SS	
3	001-76349-00	2	NUT, 3/8-16 ALUM.	
4	002-00148-01	1	BRACKET, QUICK ATT. BUMPER - 4"	

TOOLS REQUIRED

- 9/16" SOCKET/WRENCH
- TORQUE WRENCH



SCAN QR CODE BELOW FOR
LINK TO ASSEMBY VIDEO



**NOTE: REFER TO
VERTICAL BUMPER AND
WATER ACCESSORY
RACK INSTUCTIONS
FOR INSTALLATION
AND ADJUSTMENT.**

VERTICAL BUMPER INSTALLATION

STEP 1

INSERT 3/8" X 3/4" BOLTS INTO THE QUICK ATTACH BRACKET.



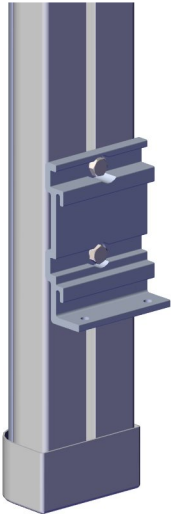
STEP 2

PLACE 3/8" NUTS IN BUMPER



STEP 3

PLACE BUMPER ONTO BRACKET AND ALIGN TO DESIRED HEIGHT. TORQUE SCREWS TO 35 FT-LBS.



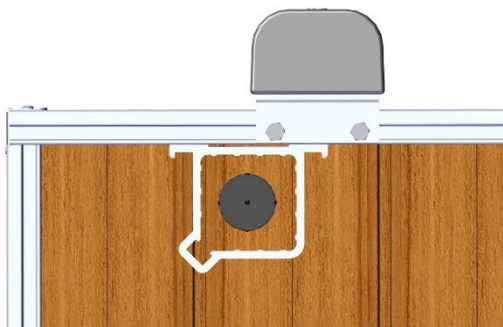
STEP 4

ATTACH CAP TO BUMPER AND PLACE BUMPER ONTO DOCK SIDE. POSITION ACCORDINGLY.



STEP 5

INSERT (2) 3/8" X 1" BOLTS INTO THE BOTTOM OF EACH BRACKET. TORQUE TO 6 FT-LBS



WATER ACCESSORY RACK INSTALLATION

STEP 1

INSERT 3/8" X 3/4" SOCKET HEAD SCREWS INTO THE QUICK ATTACH BRACKET.



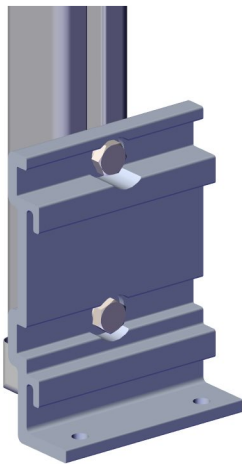
STEP 2

PLACE 3/8" NUTS AND WASHERS IN WATER ACCESSORY RACK UPRIGHT (WASHERS FOUND IN WATER ACCESSORY RACK KIT)



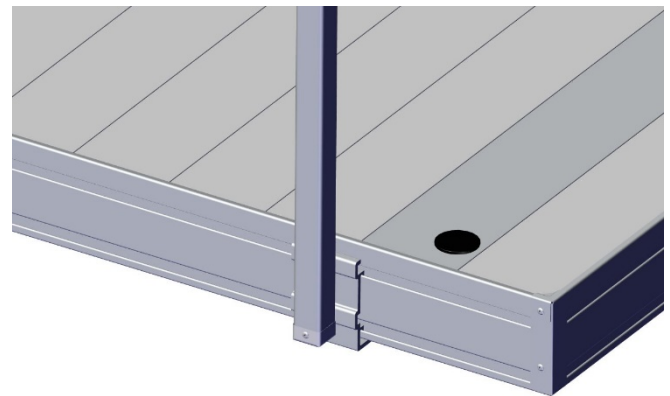
STEP 3

PLACE RACK ONTO BRACKET AND ALIGN TO DESIRED HEIGHT. TORQUE SCREWS TO 35 FT-LBS.



STEP 4

PLACE RACK ONTO DOCK SIDE. POSITION ACCORDINGLY AT DESIRED SPACING.



STEP 5

INSERT (2) 3/8" x 1" BOLTS INTO THE BOTTOM OF EACH BRACKET. TORQUE TO 6 FT-LBS MAXIMUM.

