

FLOE QUICK-ATTACH DOCK STAIRS BRACKETS

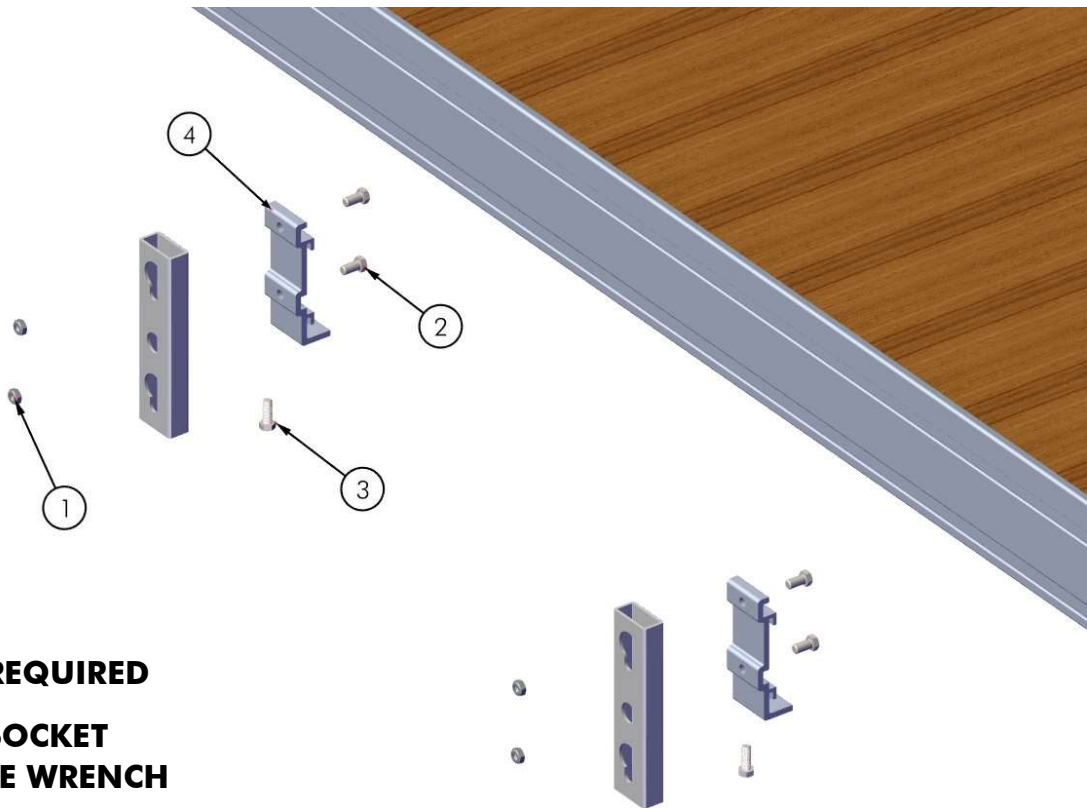
FLOE KIT P/N 510-02575-00

ASSEMBLY INSTRUCTIONS



BOM/EXPLODED VIEW

P/N 510-02575-00		KIT, QA SECTIONAL DOCK STEPS	
NUMBER	PART NUMBER	QTY.	DESCRIPTION
1	001-37026-00	4	NUT, 3/8-16 JAM NYLOCK-ZINC
2	001-70103-00	4	HHCS, 3/8-16 x 3/4" 18-8 SS
3	001-70105-00	2	HHCS, 3/8-16 x 1" SS
4	002-00150-00	1	BRACKET, QUICK ATT. ACC. - 2"



TOOLS REQUIRED

- 9/16" SOCKET
- TORQUE WRENCH

*MOUNTING TUBE NOT INCLUDED

INSTALLATION

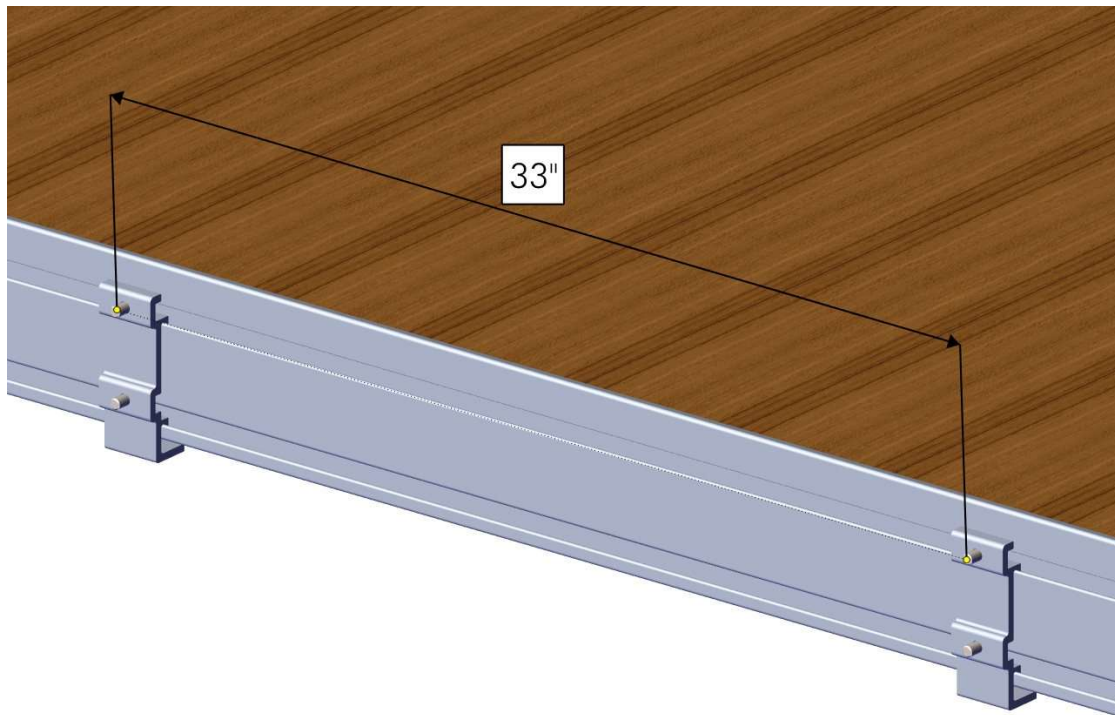
STEP 1

INSERT 3/8-16 x 3/4" BOLTS INTO EACH QUICK ATTACH BRACKET.



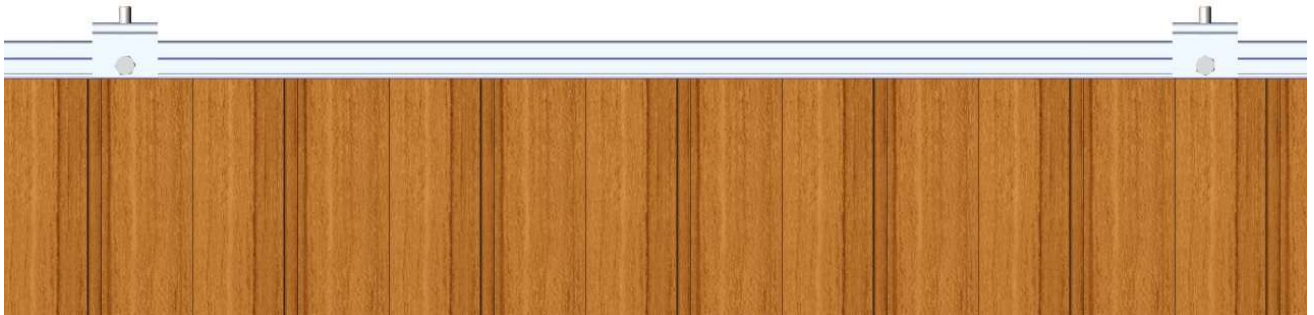
STEP 2

PLACE BRACKETS INTO DOCK SIDE. SPACE BRACKETS 33" INCHES BETWEEN CENTER TO CENTER.



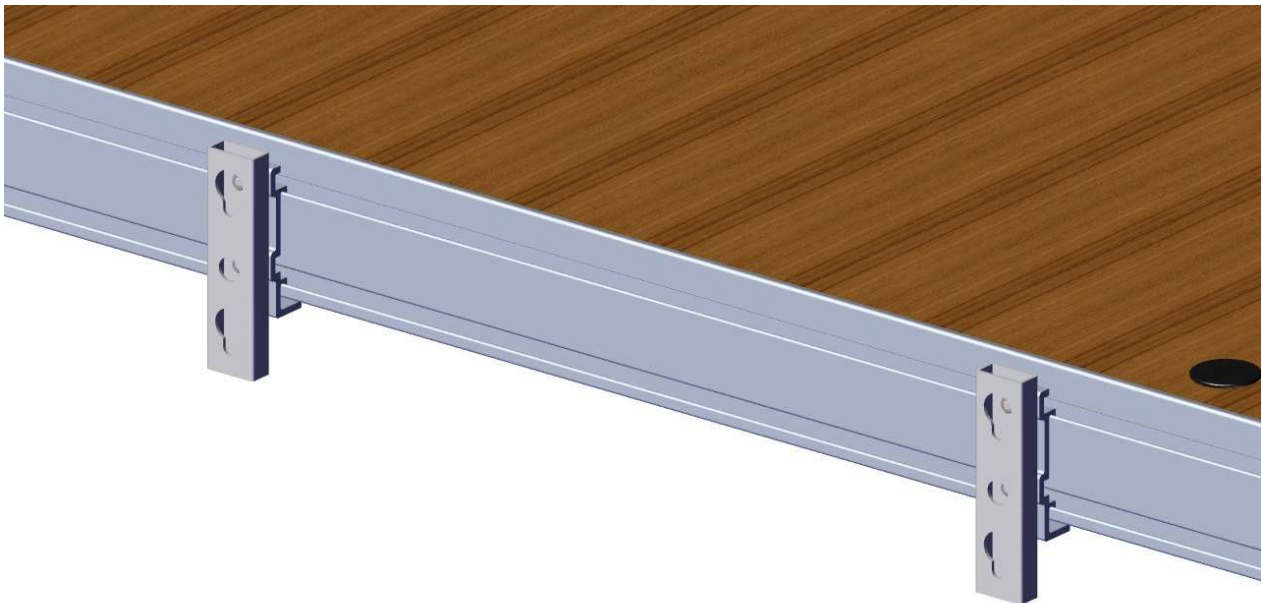
STEP 3

INSERT (2) 3/8-16 x 1" BOLTS INTO BOTTOM OF EACH QUICK ATTACH BRACKET. TORQUE TO 6 FT-LBS MAXIMUM.



STEP 4

PLACE DOCK STEPS MOUNTING TUBES (NOT INCLUDED) ON 3/8-16 x 3/4" BOLTS.



STEP 5

PLACE 3/8-16 JAM NYLOCK NUTS ON 3/8-16 x 3/4" BOLTS. TORQUE TO 35 FT-LBS.

