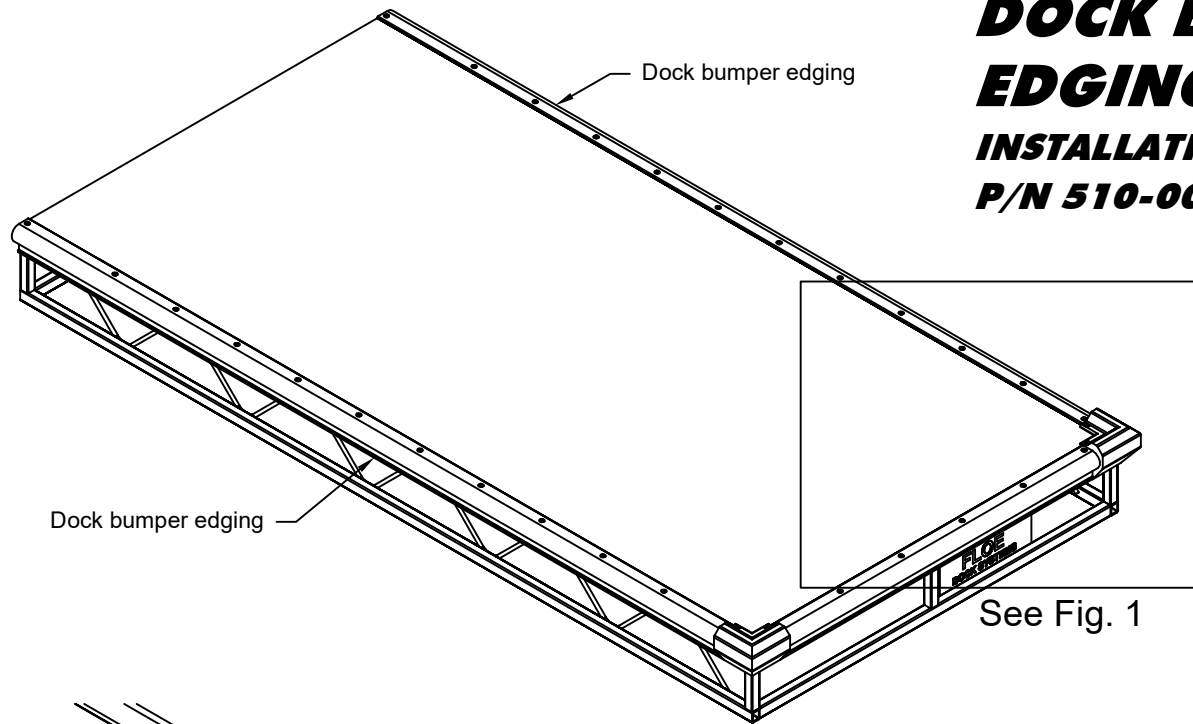


# DOCK BUMPER EDGING

## INSTALLATION INSTRUCTIONS

P/N 510-00300-00



1. Cut bumper edging to desired length and place on dock section.
2. Drill holes for rivets using a #9 drill (.196 dia.). See Fig. 1 below for proper spacing.
3. Rivet bumper edging to dock section using the 3/16" x 1 1/2" SF rivets and washers provided.

See Fig. 1

Note:

Optional FLOE corner bumpers are recommended on all outside corners (P/N 510-04100-00)

This kit contains:

- (2) 10' long dock bumper edging sections
- (40) 3/16" x 1 1/2" SF rivets
- (40) Backing washers

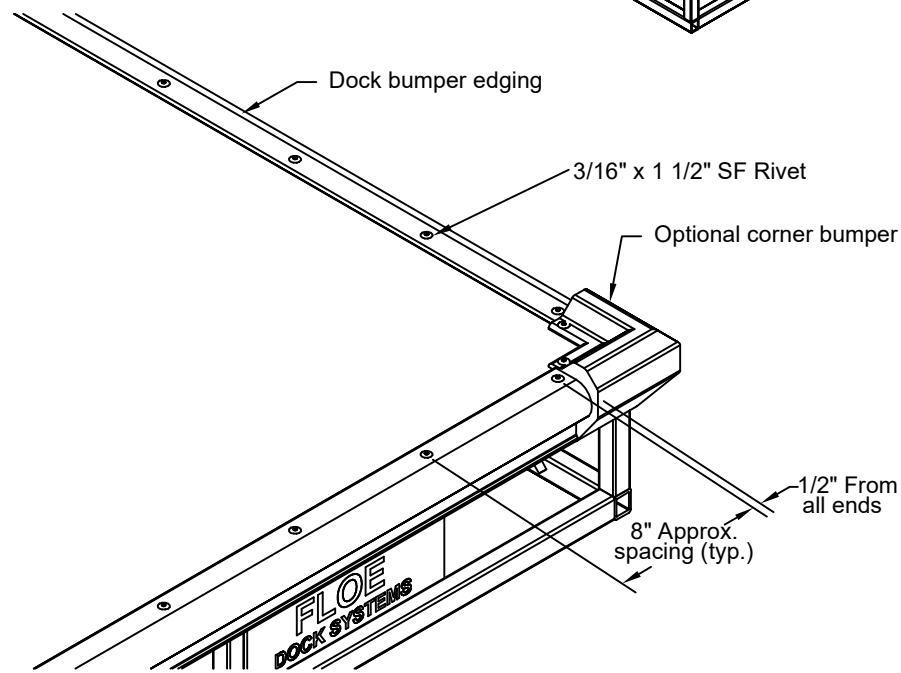


Fig. 1

**WARNING: TO AVOID ELECTRIC SHOCK DURING DRILLING. USE OF A GROUND FAULT INTERRUPT CIRCUIT IS REQUIRED. FAILURE TO FOLLOW THIS WARNING MAY RESULT IN DEATH BY ELECTRICUTION. DOCK SHOULD BE REMOVED FROM LAKE PRIOR TO DRILLING TO MINIMIZE RISK.**

Manufactured by:  
Floe International Inc.  
48473 State Hwy. 65  
McGregor, MN 55760  
www.floeintl.com