

# FLOE 24 VOLT DC VSD ASC UPDATE KIT

## 3800, 5000, 6000, 6500 & 8000# LIFTS

P/Ns 511-38505-01 & 511-60755-01

### ASSEMBLY INSTRUCTIONS

#### TOOLS REQUIRED:

- (2) 3/4" socket or wrench for 1/2" nuts and bolts.
- (1) 9/16" socket or wrench for 3/8" nuts and bolts.
- (1) Flat tip screwdriver
- (1) Power hand drill & 3/4" drill bit
- (1) File for deburring



INSTRUCTION P/N: 611-50005-01  
ISSUE DATE: 9/5/18 REV: 5/27/21

Manufactured By:  
Floe International, Inc.  
48473 State Hwy. 65  
McGregor, MN 55760

## PARTS LIST

- (1) Four - 1/4-20 Speed Nuts, 001-46348-00
- (2) One - VSD Limit Switch Test Plug, 007-05293-00
- (3) One - Diagnostic Checklist, 007-05305-00
- (4) One - VSD Limit Switch Assembly  
VSD Limit Switch 3800/5000 Assembly,  
111-38500-00 Included with 511-38505-00  
VSD Limit Switch 6000/6500/8000 Assembly,  
111-60750-00 Included with 511-60755-00
- (5) One - Wired Remote, 111-70010-00
- (6) One - Battery Interconnect with Circuit Breaker,  
Battery Interconnect with Circuit Breaker,  
111-70015-00 Included with 511-38505-00  
Battery Interconnect with Circuit Breaker,  
111-70017-00 Included with 511-60755-00
- (7) One - Controller, Lift/MAXIS™ 24V ASC,  
311-50040-01
- (8) Two - Battery Condition Indicators, 511-01350-00
- (9) One - Installation Instructions, 611-50005-01



## STEP 1 - - - - -

Remove the old control box & hardware and bolts & nuts securing the battery trays to the ball screw tube. Remove the hardware securing the limit switch assembly to the ball screw tube. Clean and adhere the dual lock 5-1/4" down from the top of the corner post. (Fig. 1A) Attach the Advanced Switch Control (ASC) to the hole in the top of the corner post with the nut, bolt, and washer provided. (Fig. 1B) Connect "Advanced Switch Control" to the "VSD Power Unit" by removing the four screws in the bottom cover. Inside the power unit is four wires with spade connectors. Connect these four wires with spade ends to the wires on the Advanced Switch Control (ASC) with the corresponding ends (Fig. 1C). The two small gauge wires on the ASC have female spade connectors and it does not matter to which small gauge on the VSD power unit that they connect to. The larger two wires have one male and one female connector so they cannot be incorrectly wired. Before re-attaching the base cover, follow the drilling instructions on the base cover template provided (page 5). **NOTE:** If current 1/4-20 speed nuts attached to the base cover are stripped out or rusted, change them with the four replacement speed nuts provided. Replace the cover on the bottom of the VSD Power Unit. Attach the included limit switch assembly to the ball screw tube using the hardware that was previously removed. Snug bolts to remove excess movement in limit switch assembly. Do not overtighten, as excess tightening of the bolts will cause damage to the limit switch assembly. Reattach the battery trays with the hardware that was previously removed. Torque to 5 ft-lb maximum.



Fig. 1C

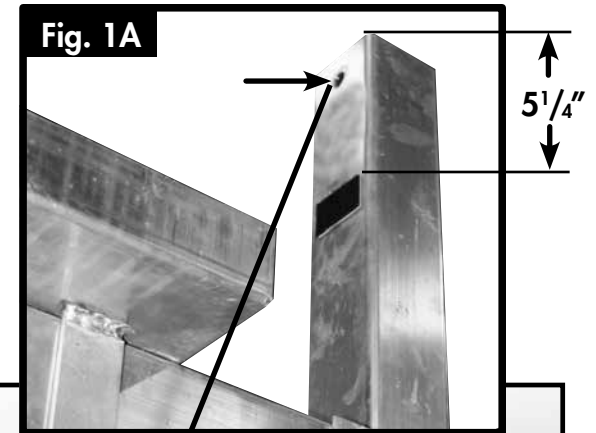


Fig. 1A

5 1/4"



Fig. 1B

Attach the Advanced Switch Control to the winch post by pressing Dual Lock pads together.

## STEP 2 - - - - -

Connect the two remaining wires coming out of the Advanced Switch Control (ASC) box to the batteries. The two wires on the Advanced Switch Control have ring connectors. One ring connector is red and the other is black and red. Connect these wires using the diagram (Fig. 2A). Connect the red wire to the positive post on the second battery and the black/red wire to the negative post on the first battery. Connect the Battery Interconnect cable between the two batteries use the diagram (Fig. 2A) as a reference. Also at this time attach the Battery Condition Indicator leads (red to Positive and black to negative) of each battery. Clean with the alcohol prep wipe included and adhere the unit to the battery box in a location that is suitable for ease of use by removing the protective cover from the hook and loop tape. Example (Fig. 2B). Place the diagnostic Check List in the battery box for future reference. Replace the battery box covers and secure them with the strap.

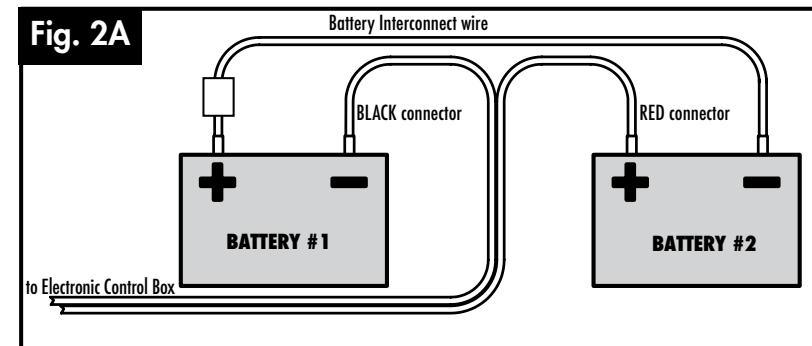


Fig. 2A



Fig. 2B

### STEP 3 - - - - -

Plug 4 connector wired remote into the corresponding lead of the Advanced System Control box.

Note: The wired remote lead is identified by the blue wire tie next to the base of the plug on the ASC as shown. Plug the 4 connector limit switch lead protruding from the bottom of the limit switch housing to the corresponding plug on the ASC.

NOTE: The two Molex plugs are for the actuators on a MAXIS™ tilting canopy. Refer to MAXIS™ tilt instructions.

NOTE: The ASC Limit switch plug does not have a color coded cable tie attached.

(Fig. 3A) Attach the adhesive-backed tool kit to the lift frame, so that these tools are readily available when needed, by cleaning the area above the tool kit decal and removing the protective backing and pressing it to the corner post as shown in (Fig. 3B).



### STEP 4 - - - - -

Secure all loose wires and the wire from the wired remote to the lift structure with the double sided Velcro.

- DRILL A 3/4" HOLE AT THE SPECIFIED DIMENSIONS. SEE DETAIL "A"
- CUT OUT 3/4" OPENING IN THE WALL DIRECTLY NEXT TO THE NEW Ø.750 HOLE. FILE/DEBURR THE CUT EDGES TO AVOID WIRE CHAFFING.

