

FLOE QUICK-ATTACH SECTIONAL/ROLL IN RAMP BRACKETS

FLOE KIT P/N 510-02579-00

ASSEMBLY INSTRUCTIONS



***DOCK, LEGS, AND RAMP NOT INCLUDED**

TOOLS REQUIRED

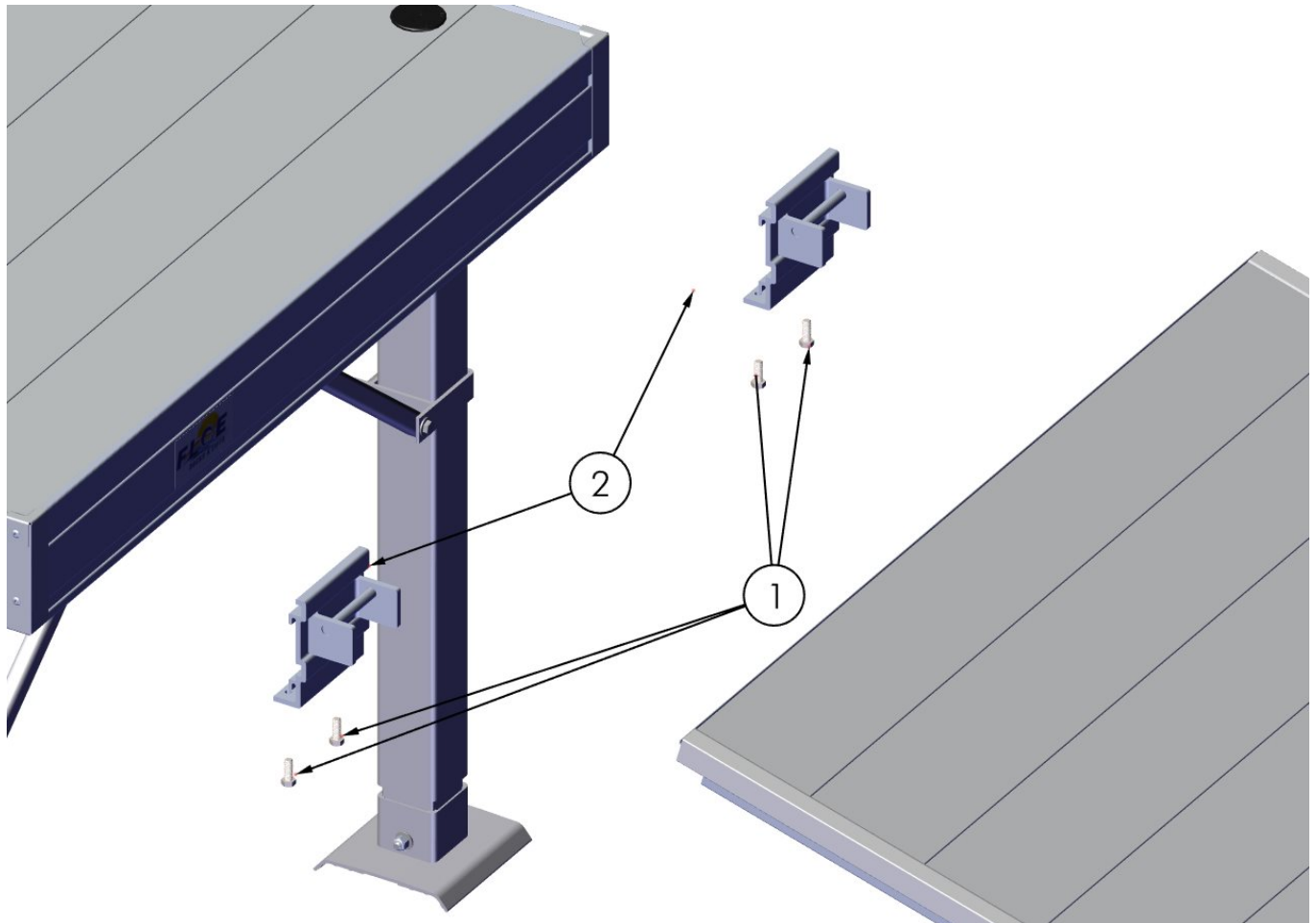
- 9/16" Socket**
- Torque Wrench**
- Tape Measure**

INSTRUCTION P/N 610-02579-00
ISSUED: 4/26/21

© Manufactured by:
Floe International Inc.
48473 State Hwy. 65
McGregor, MN 55760
www.floeintl.com

BILL OF MATEIALS/EXPLODED VIEW

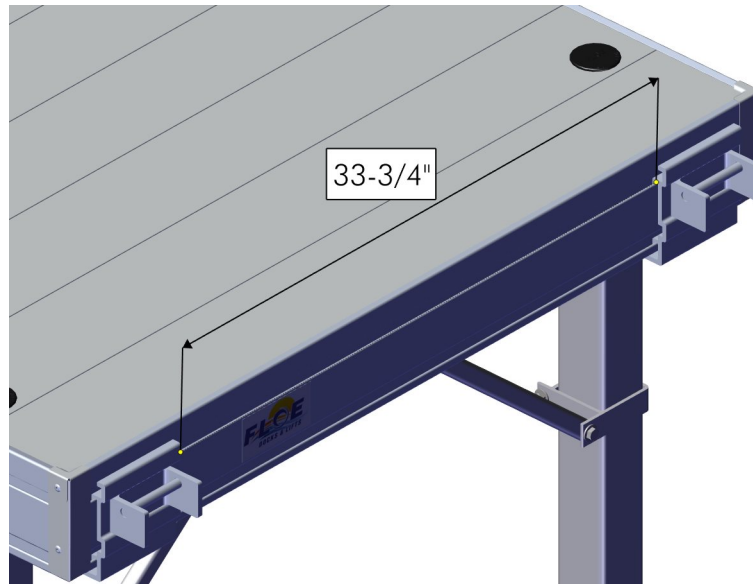
P/N 510-02579-00		KIT, QA SECTIONAL/ROLL IN RAMP BRACKETS		
Number	Part Number	QTY.	Description	
1	001-70105-00	4	HHCS, 3/8-16 x 1" SS	
2	110-00245-00	2	WELD'T, QA/ROLL IN BRKT.	



INSTALLATION

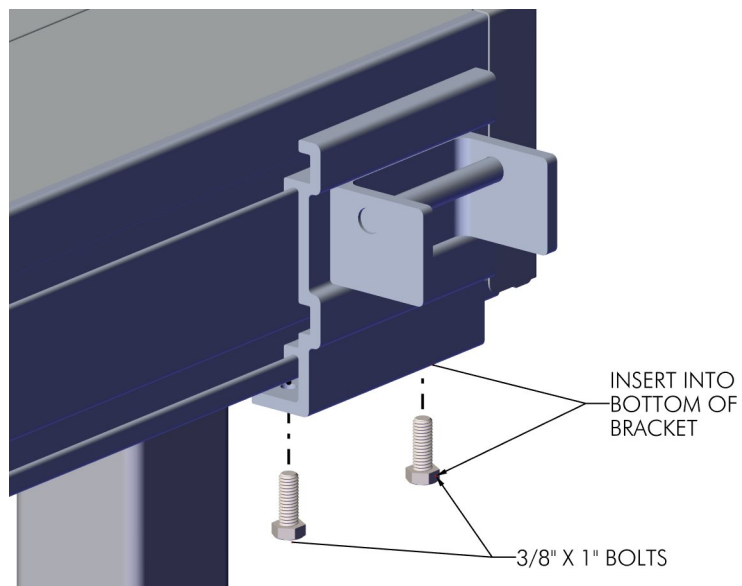
STEP 1

PLACE BRACKETS IN DOCK SIDE/END. POSITION BRACKETS 33 3/4" APART FROM INNERMOST EDGES.



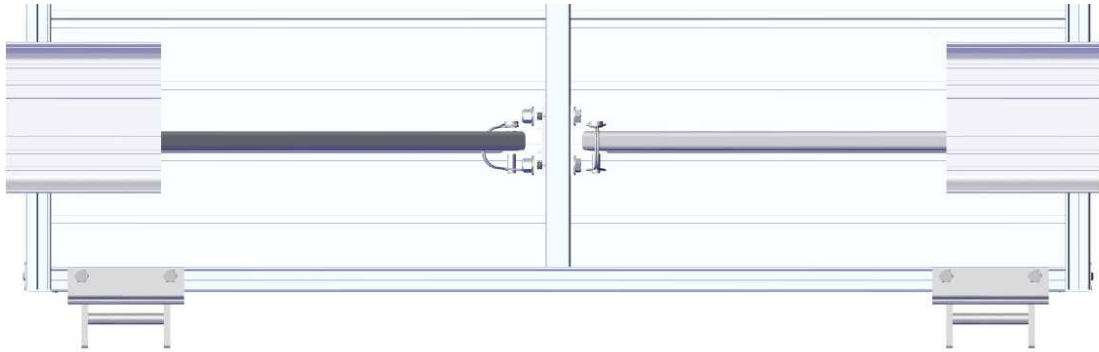
STEP 2

INSERT 3/8-16 x 1" BOLTS INTO BOTTOM OF EACH BRACKET.



STEP 3

TORQUE BOLTS TO 6 FT/LBS MAX.



STEP 4

PLACE RAMP INTO BRACKETS AND ALIGN FOR SYMMETRY WITH DOCK SECTION.

