

FLOE QUICK-ATTACH SECTIONAL BRACKETS VERTICAL BUMPER/WATER ACCESSORY RACK

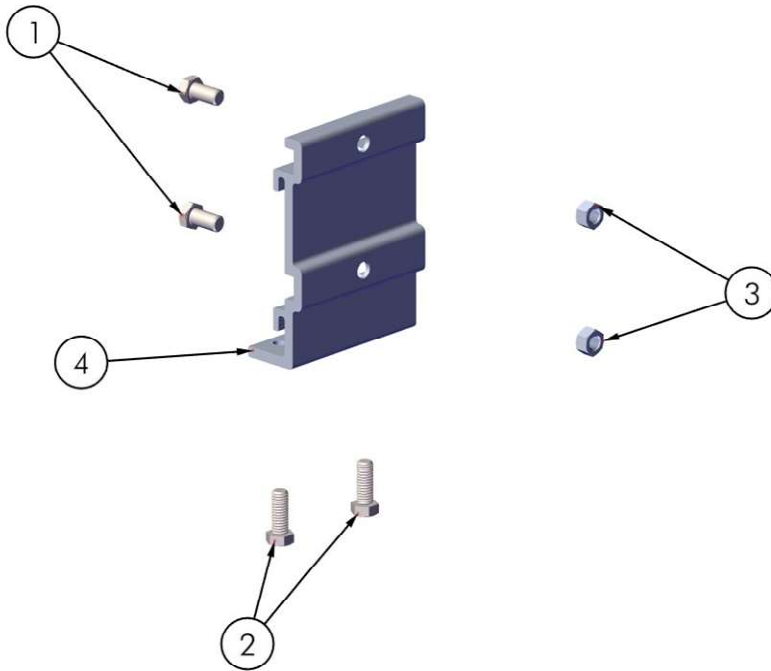


KIT P/N 510-02572-00

ASSEMBLY INSTRUCTIONS

BOM/EXPLODED VIEW

P/N 510-02572-00		KIT, QA SECTIONAL BRKT. VERT. BUMPER/WATER ACC.	
NUMBER	PART NUMBER	QTY.	DESCRIPTION
1	001-70103-00	2	HHCS, 3/8-16 X 3/4" SS
2	001-70105-00	2	HHCS, 3/8-16 X 1" SS
3	001-76349-00	2	NUT, 3/8-16 ALUM.
4	002-00148-01	1	BRACKET, QUICK ATT. BUMPER - 4"



TOOLS REQUIRED

- 9/16" SOCKET/WRENCH
- TORQUE WRENCH

NOTE: REFER TO VERTICAL BUMPER AND WATER ACCESSORY RACK INSTRUCTIONS FOR INSTALLATION AND ADJUSTMENT.

VERTICAL BUMPER INSTALLATION

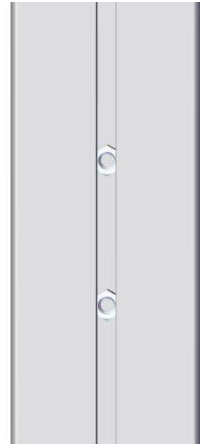
STEP 1

INSERT 3/8" X 3/4" BOLTS INTO THE QUICK ATTACH BRACKET.



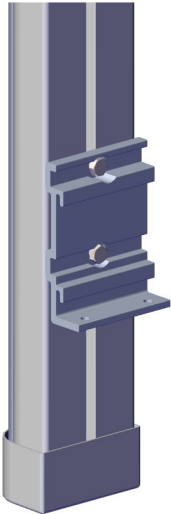
STEP 2

PLACE 3/8" NUTS IN BUMPER



STEP 3

PLACE BUMPER ONTO BRACKET AND ALIGN TO DESIRED HEIGHT. TORQUE SCREWS TO 35 FT-LBS.



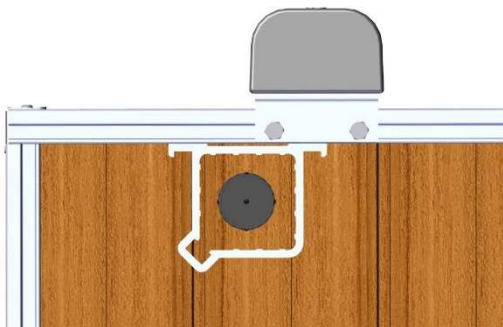
STEP 4

ATTACH CAP TO BUMPER AND PLACE BUMPER ONTO DOCK SIDE. POSITION ACCORDINGLY.



STEP 5

INSERT (2) 3/8" X 1" BOLTS INTO THE BOTTOM OF EACH BRACKET. TORQUE TO 6 FT-LBS



WATER ACCESSORY RACK INSTALLATION

STEP 1

INSERT 3/8" X 3/4" SOCKET HEAD SCREWS INTO THE QUICK ATTACH BRACKET.



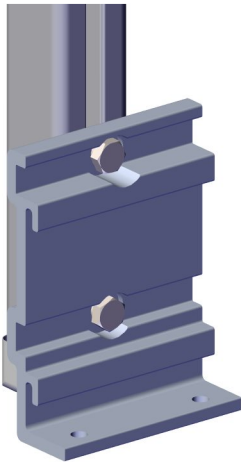
STEP 2

PLACE 3/8" NUTS AND WASHERS IN WATER ACCESSORY RACK UPRIGHT (WASHERS FOUND IN WATER ACCESSORY RACK KIT)



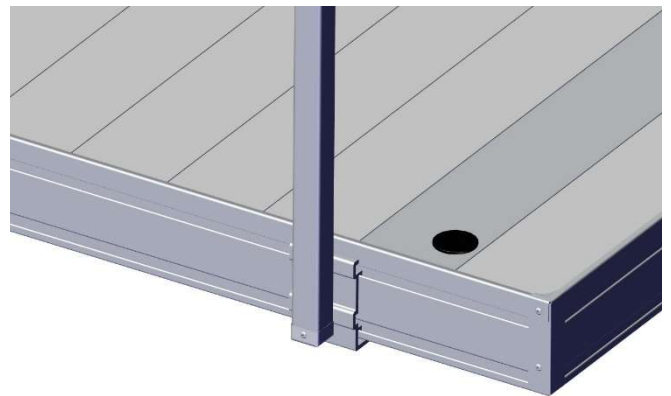
STEP 3

PLACE RACK ONTO BRACKET AND ALIGN TO DESIRED HEIGHT. TORQUE SCREWS TO 35 FT-LBS.



STEP 4

PLACE RACK ONTO DOCK SIDE. POSITION ACCORDINGLY AT DESIRED SPACING.



STEP 5

INSERT (2) 3/8" x 1" BOLTS INTO THE BOTTOM OF EACH BRACKET. TORQUE TO 6 FT-LBS MAXIMUM.

