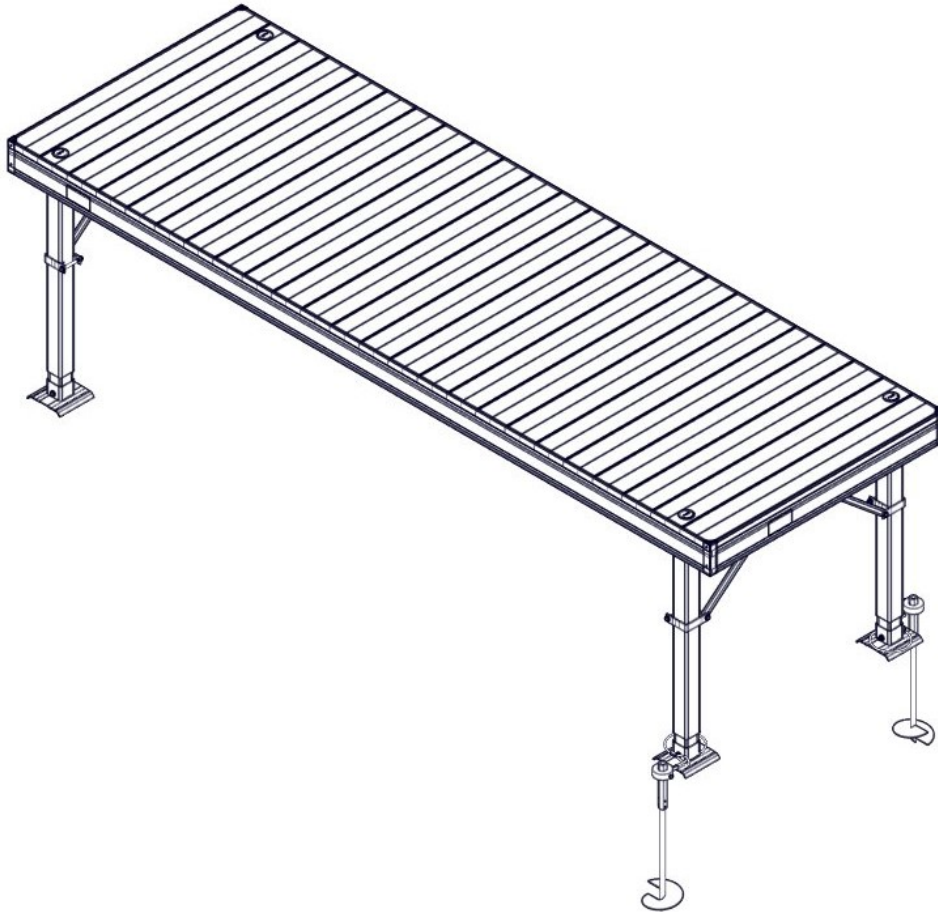


FLOE SECTIONAL DOCK ANCHOR PAIR

ASSEMBLY INSTRUCTIONS

KIT P/N 510-02555-00



*DOCK SECTION & LEGS NOT INCLUDED

IMPORTANT

**DO NOT USE AN IMPACT OR CORDLESS
DRILL TO INSTALL DOCK ANCHORS.**

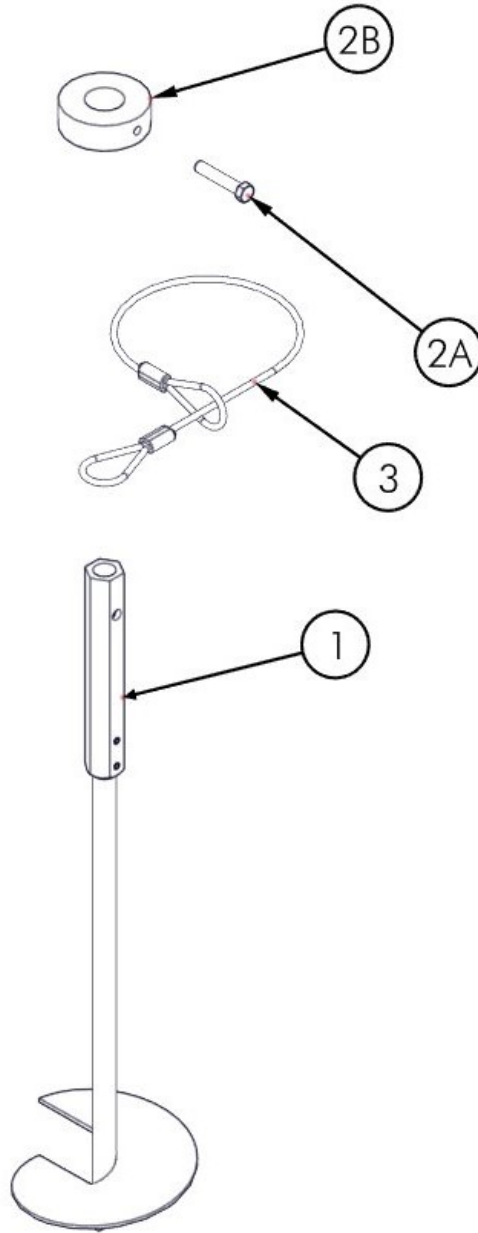
TOOLS REQUIRED

- 9/16" SOCKET/WRENCH
- 1 1/8" SOCKET (**6 POINT ONLY**)
- 1/2" DRIVE RATCHET
- EXTENSION
- TORQUE WRENCH
- TAPE MEASURE

BILL OF MATERIALS

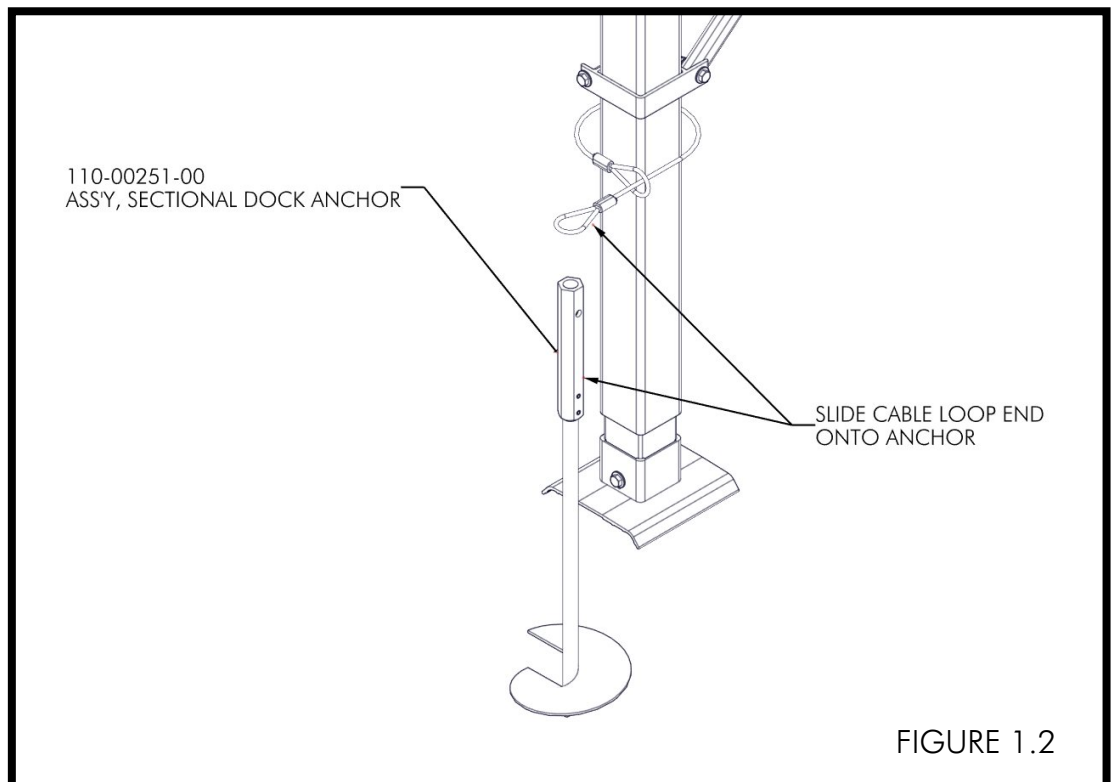
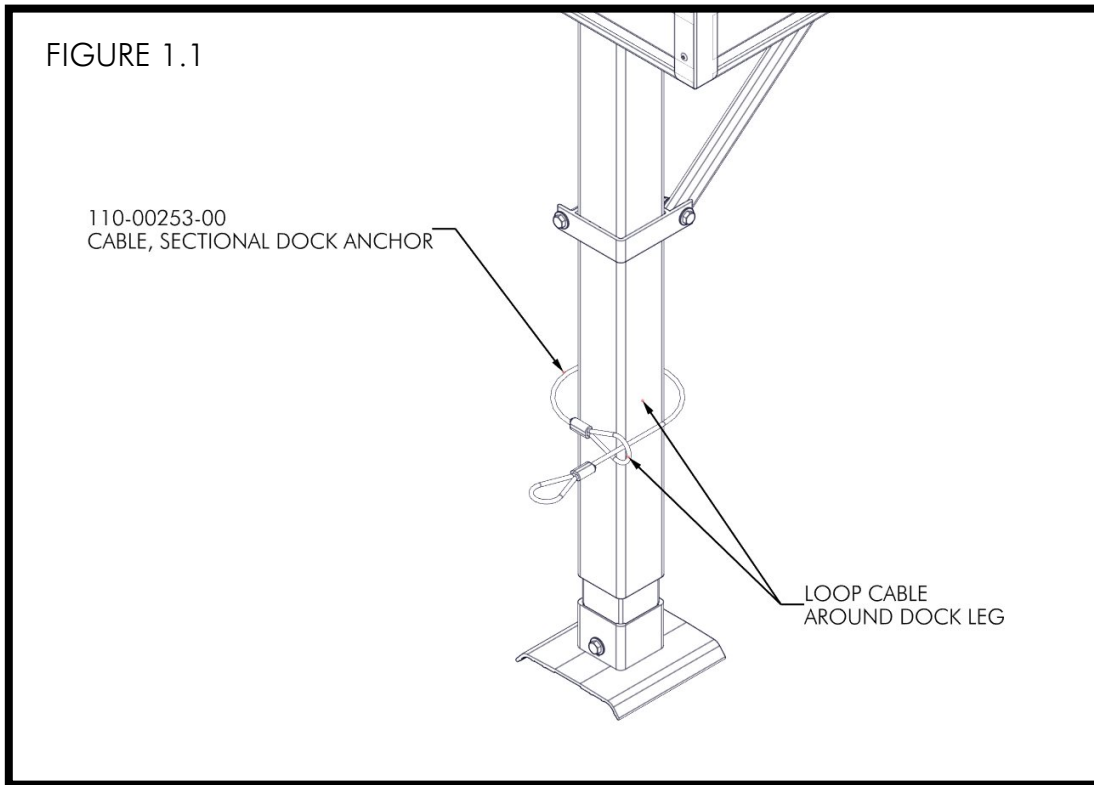
510-02555-00 ANCHOR, SECTIONAL DOCK LEG (PAIR)

P/N 510-02555-00		ANCHOR, SECTIONAL DOCK LEG (PAIR)	
NUMBER	PART NUMBER	DESCRIPTION	QTY
1	110-00251-00	ASS'Y, SECTIONAL DOCK ANCHOR	2
2	110-00252-00	ASS'Y, ANCHOR SET COLLAR W/ BOLT	2
2A	001-71189-00	HHCS, 3/8-16 X 2" SS FULL THREAD	1
2B	002-00198-00	SET COLLAR, ANCHORING SYSTEM	1
3	110-00253-00	CABLE, SECTIONAL DOCK ANCHOR	2

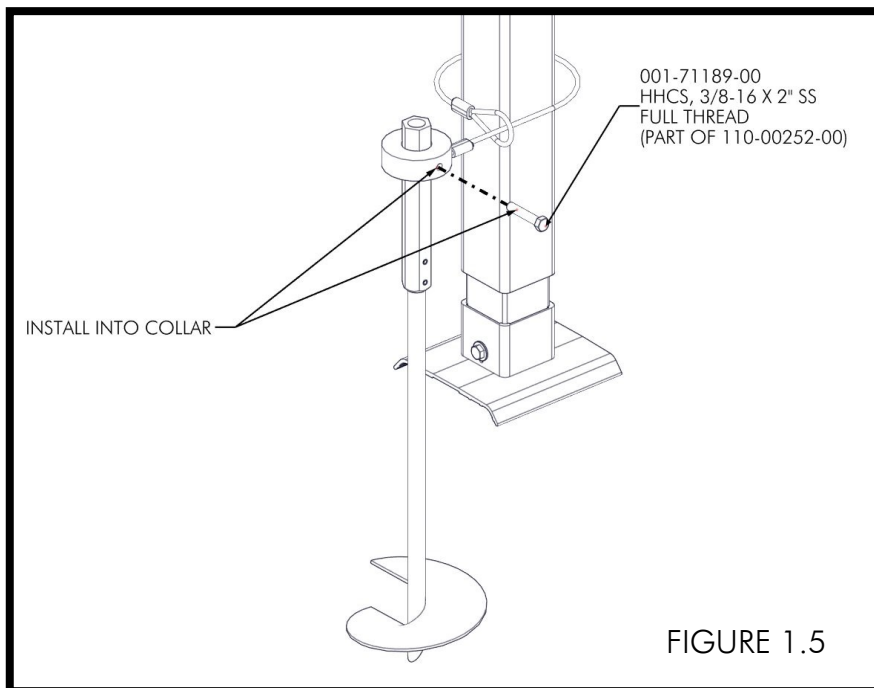
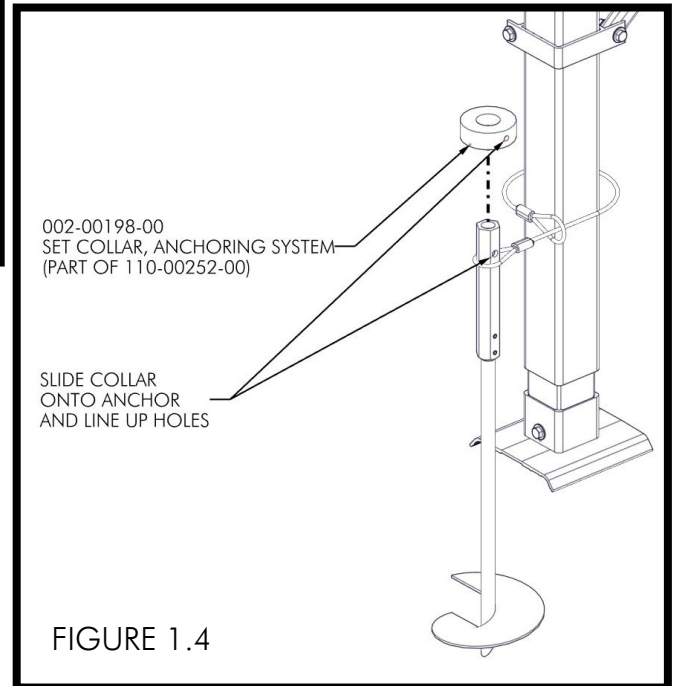
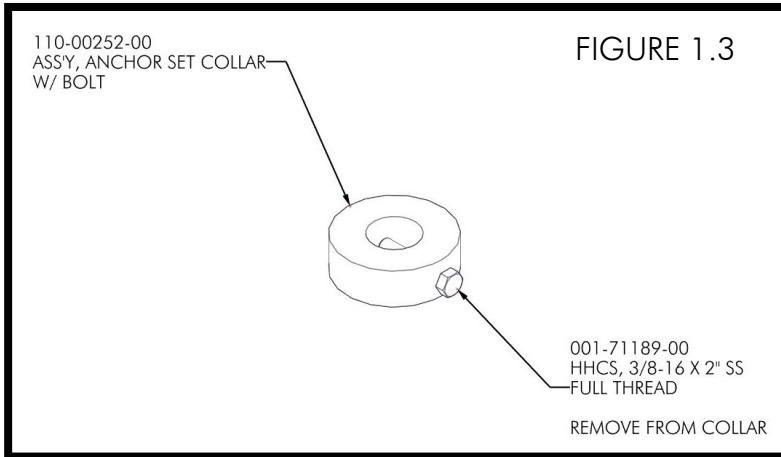


ASSEMBLY

LOOP CABLE AROUND DOCK BY PULLING ONE LOOP END THROUGH THE OTHER (FIGURE 1.1). SLIDE CABLE LOOP END ONTO ANCHOR SHAFT (FIGURE 1.2).

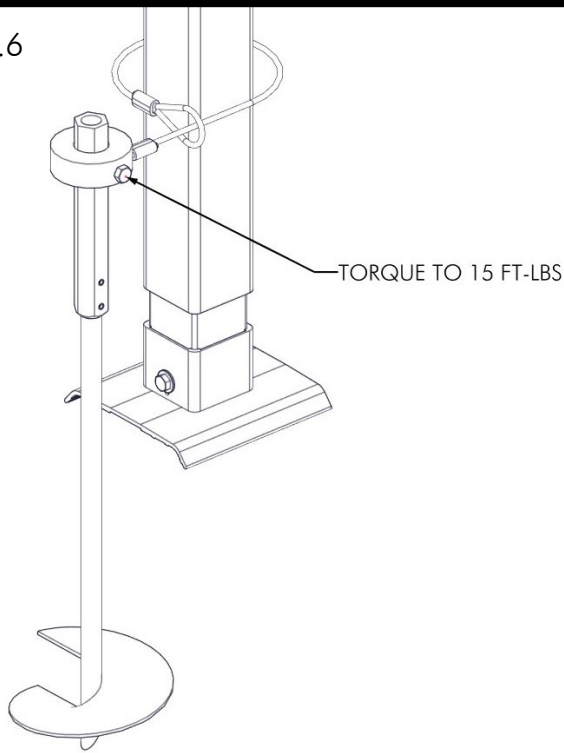


REMOVE THE PRE-INSTALLED 3/8" X 2" BOLT FROM THE SET COLLAR (FIGURE 1.3). PLACE SET COLLAR ONTO ANCHOR AND ALIGN HOLE IN COLLAR WITH HOLE IN ANCHOR SHAFT (FIGURE 1.4). RE-INSTALL THE 3/8" X 2" BOLT INTO SET COLLAR (FIGURE 1.5).



TORQUE TO 15 FT-LBS (FIGURE 1.6). DRIVE ANCHOR INTO LAKE BOTTOM USING A 1-1/8" **6 POINT** SOCKET & 1/2" DRIVE RATCHET WITH EXTENSION UNTIL COLLAR TOUCHES LAKE BOTTOM (FIGURE 1.7).

FIGURE 1.6



IMPORTANT

**DO NOT USE AN
IMPACT OR
CORDLESS DRILL TO
INSTALL ANCHORS.**

IMPORTANT NOTE:

**ONLY USE A 6
POINT SOCKET.
12 POINT SOCKETS
MAY CAUSE
DAMAGE TO HEX
SHAFT.**



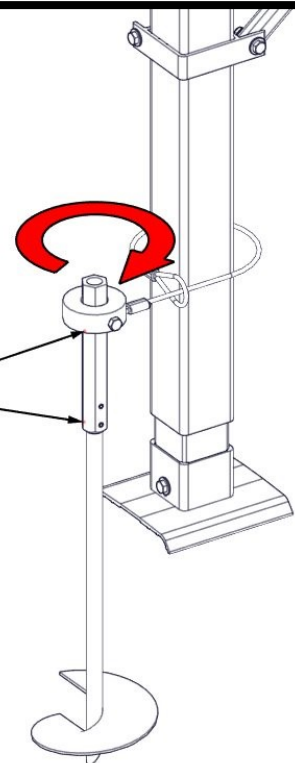
6 POINT SOCKET



**12 POINT SOCKET
DO NOT USE**

FIGURE 1.7

DRIVE ANCHOR
WITH AN 1-1/8" SOCKET
AND RATCHET WITH EXTENSION
INTO LAKE BOTTOM
UNTIL COLLAR TOUCHES
LAKE BOTTOM



NOTES

NOTES

