

FLOE DOCK SIDE QUICK-ATTACH SECTIONAL DOCK STAIRS BRACKETS

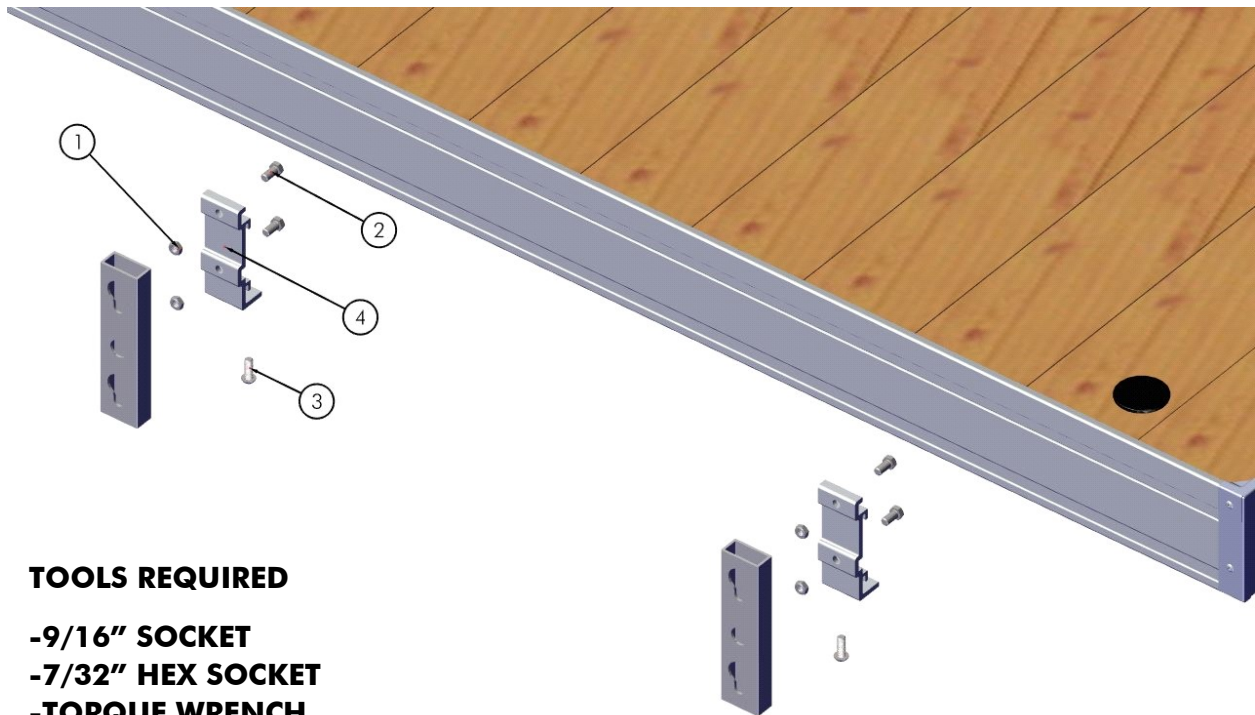


FLOE KIT P/N 510-02575-00

ASSEMBLY INSTRUCTIONS

BOM/EXPLODED VIEW

P/N 510-02575-00			
Number	Part Number	QTY.	Description
1	001-37026-00	4	NUT, 3/8-16 JAM NYLOCK-ZINC
2	001-70103-00	4	HHCS, 3/8-16 x 3/4" 18-8 SS
3	001-73815-00	2	BHCS, 3/8-16 x 1" SS
4	002-00150-00	1	BRACKET, QUICK ATT. SECTIONALACC. - 2"



TOOLS REQUIRED

- 9/16" SOCKET
- 7/32" HEX SOCKET
- TORQUE WRENCH

*MOUNTING TUBE NOT INCLUDED

DOCK STAIRS BRACKETS INSTALLATION

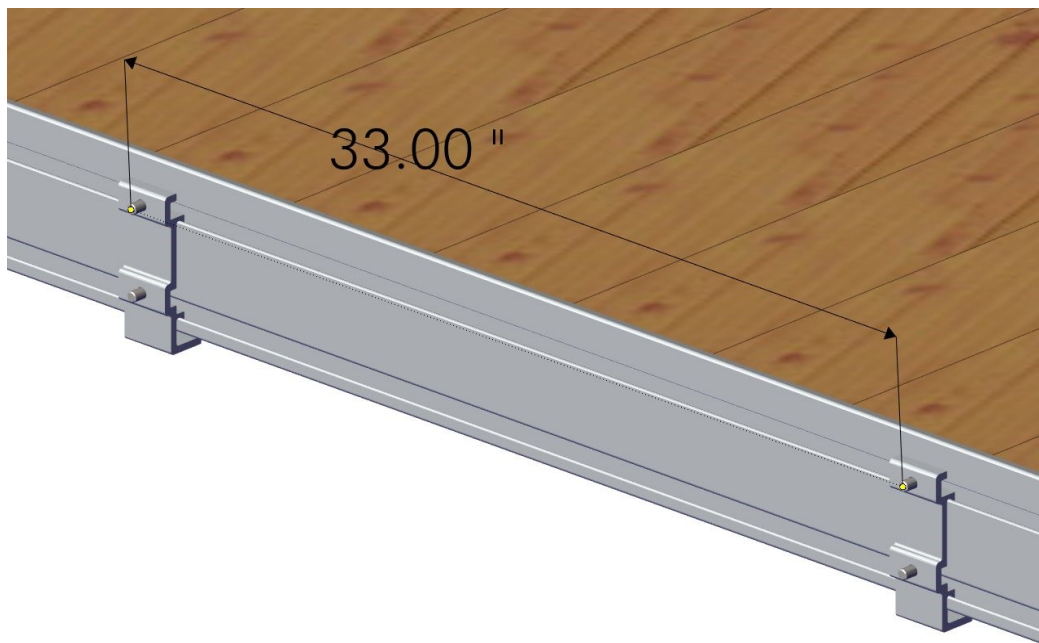
STEP 1

INSERT 3/8-16 x 3/4" BOLTS INTO EACH QUICK ATTACH BRACKET.



STEP 2

PLACE BRACKETS INTO DOCK SIDE. SPACE BRACKETS 33" INCHES BETWEEN CENTER TO CENTER.



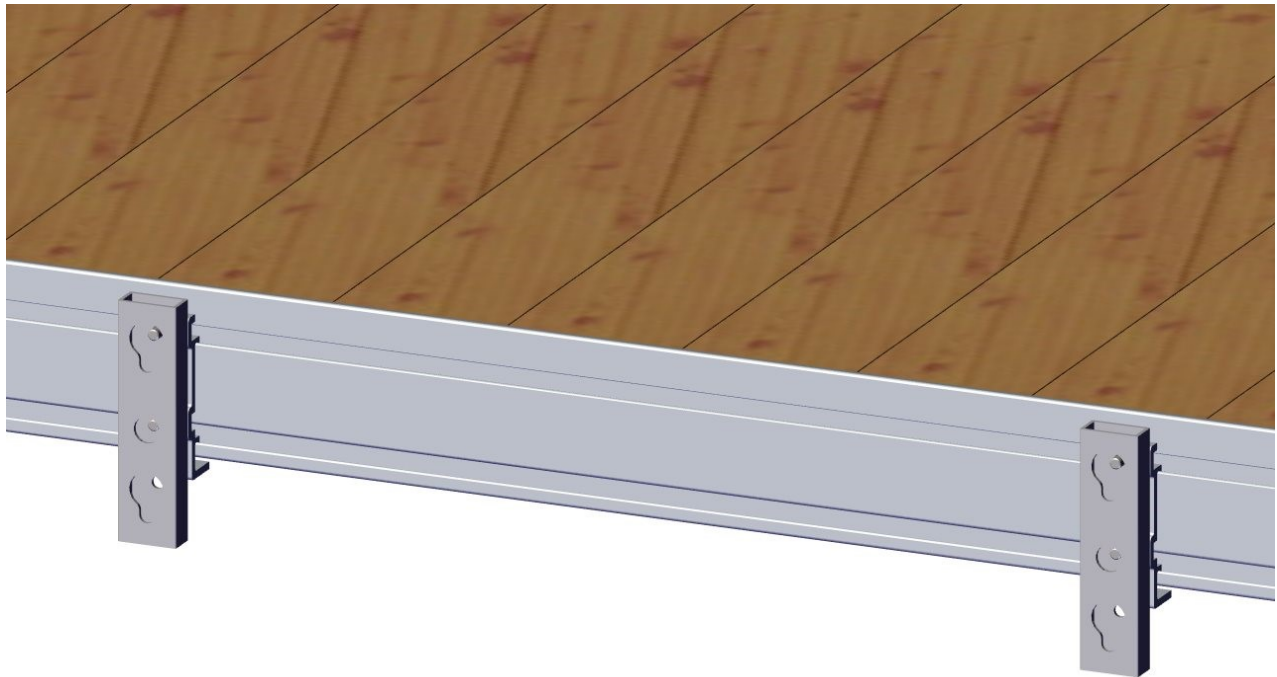
STEP 3

INSERT (2) 3/8-16 x 1" BOLTS INTO BOTTOM OF EACH QUICK ATTACH BRACKET. TORQUE TO 5 FT-LBS MAXIMUM.



STEP 4

PLACE DOCK STEPS MOUNTING TUBES (NOT INCLUDED) ON 3/8-16 x 3/4" BOLTS.



STEP 5

PLACE 3/8-16 JAM NYLOCK NUTS ON 3/8-16 x 3/4" BOLTS. TORQUE TO 35 FT-LBS.

