

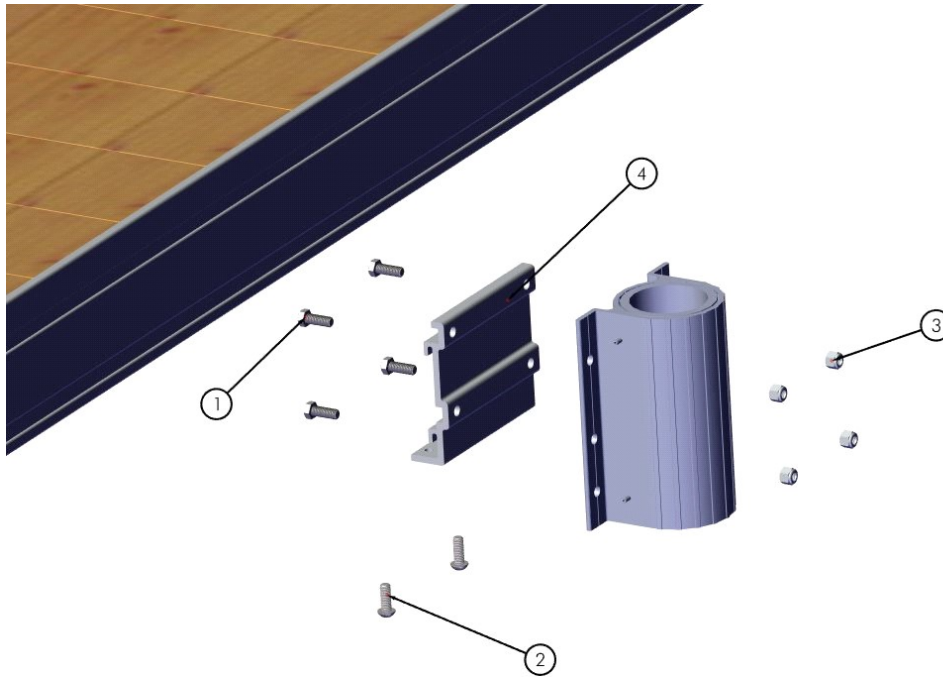
**FLOE DOCK SIDE
QUICK-ATTACH SECTIONAL
FLAG POLE BRACKETS**



FLOE KIT P/N 510-02573-00

BOM/EXPLODED VIEW

P/N 510-02573-00			
Number	Part Number	QTY.	Description
1	001-70105-00	4	HHCS, 3/8-16 x 1" 18-8 SS
2	001-73815-00	2	BHCS, 3/8-16 x 1" SS
3	001-76071-00	4	NUT, NYLOCK 3/8-16 ALUM.
4	002-00161-00	1	BRACKET, QUICK ATT SECTIONAL, FLAG POLE- 6.312"



TOOLS REQUIRED

- 9/16" Socket
- 7/32" Hex Socket
- Torque Wrench

*FLAG POLE POCKET NOT INCLUDED

FLAG POLE BRACKETS INSTALLATION

STEP 1

INSERT 3/8-16 x 1" HEX HEAD BOLTS INTO EACH QUICK ATTACH BRACKET.



STEP 2

PLACE BRACKETS IN DOCK SIDE.



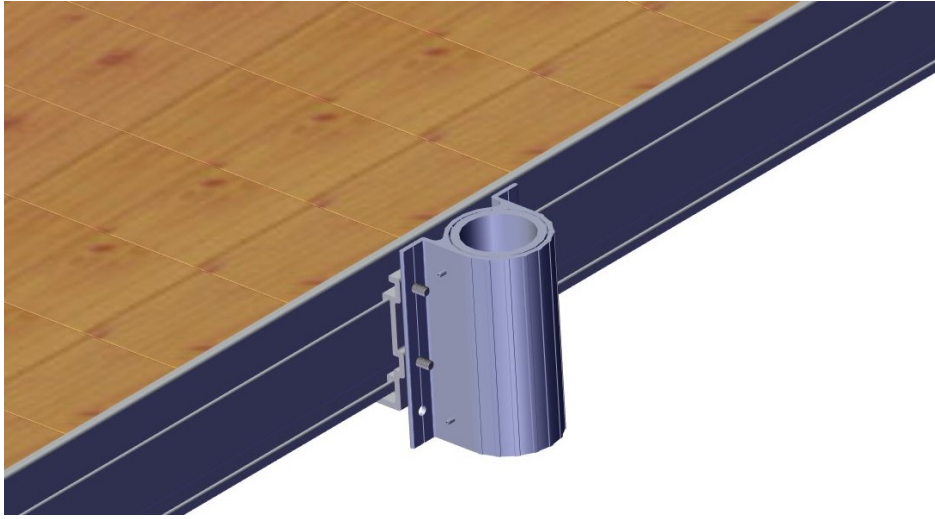
STEP 3

INSERT 3/8-16 x 1" BUTTON HEAD BOLTS INTO BOTTOM OF EACH BRACKET.



STEP 4

PLACE FLAG POLE POCKET (NOT INCLUDED) ONTO HEX HEAD BOLTS.



STEP 5

PLACE 3/8-16 NYLOCK NUTS ON HEX HEAD BOLTS AND TORQUE TO 35 FT/LBS.

