

# FLOE DOCK SIDE QUICK-ATTACH CLEAT BRACKETS

FLOE KIT P/N 510-02574-00

ASSEMBLY INSTRUCTIONS



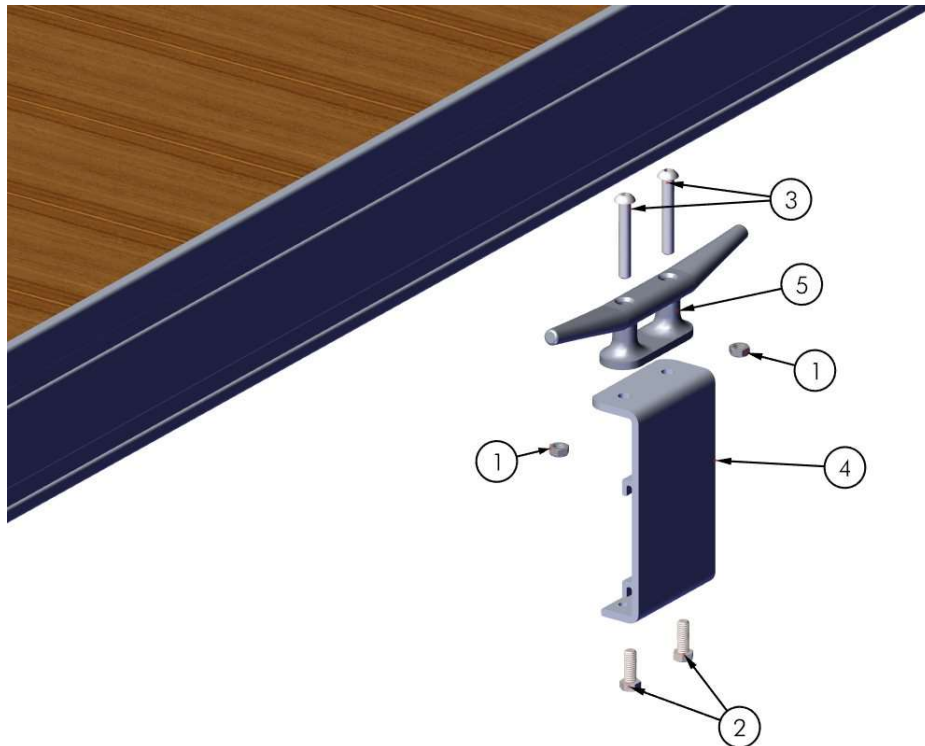
## BOM/EXPLODED VIEW

P/N 110-00290-00		ASS'Y, QA SECTIONAL CLEAT – 10" CAST	
Number	Part Number	QTY.	Description
1	001-37026-00	2	NUT, 3/8-16 JAM NYLOCK ZINC.
2	001-70105-00	2	HHCS, 3/8-16 X 1" 18-8 SS
3	001-73821-00	2	BHCS, 3/8-16 X 2-1/2" SS 18-8
4	002-00147-00	1	BRACKET, QUICK ATT. CLEAT – 4"
5	510-34300-00	1	DOCK CLEAT, 10" CAST ALUM

### TOOLS REQUIRED

-9/16" Wrench/Socket

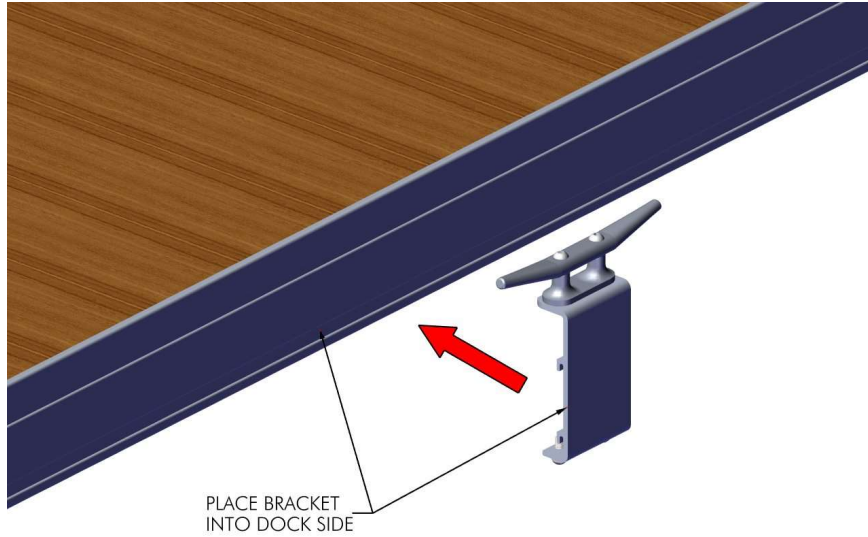
-Torque Wrench



# CLEAT BRACKETS INSTALLATION

## STEP 1

**PLACE BRACKET IN DOCK SIDE**



## STEP 2

**TIGHTEN THE (2) 3/8-16 x 1" BOLTS IN BOTTOM OF THE BRACKET. TORQUE TO 6 FT/LBS MAX.**

