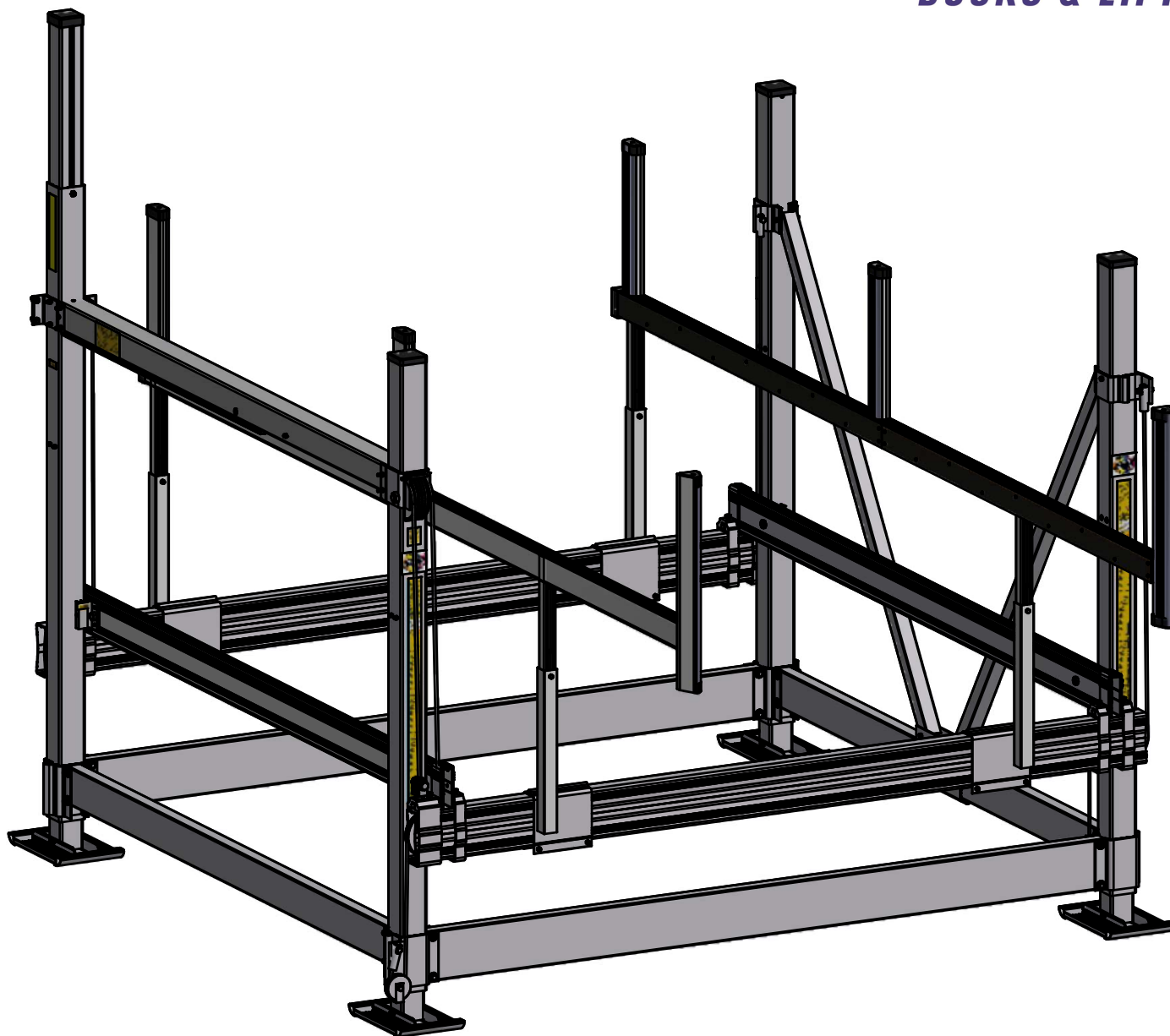


# CARPETED GUIDE IN SYSTEMS

## VSD 6000-8000

### ASSEMBLY INSTRUCTIONS

P/N 511-02583-00



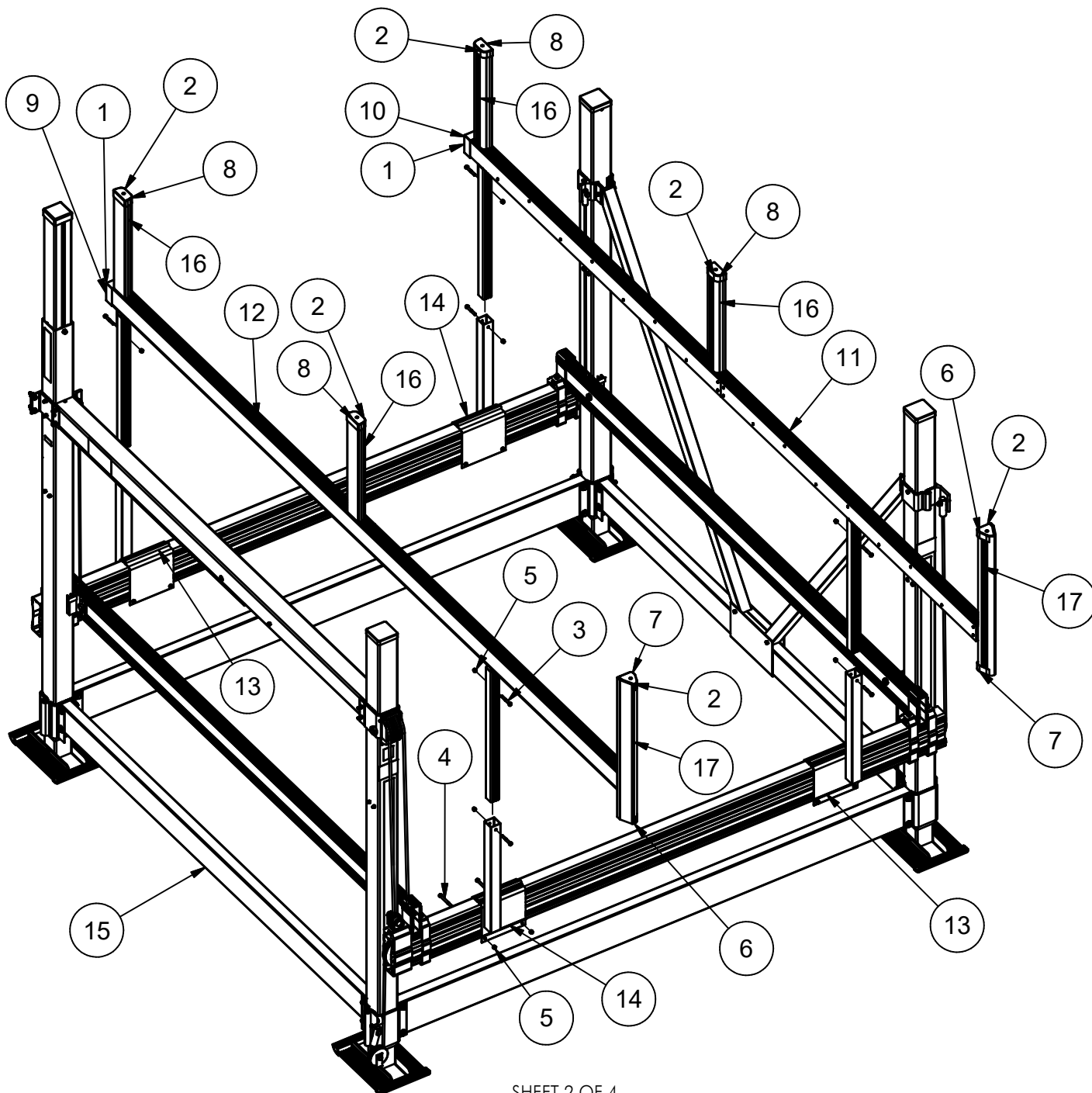
#### TOOLS REQUIRED

- (2) 9/16" Socket or Wrench
- Torque Wrench

# CARPETED GUIDE IN SYSTEMS VSD 6000-8000

EXPLODED VIEW AND BOM  
P/N 511-02583-00

ITEM	QTY	PART NUMBER	DESCRIPTION
1	4	001-07000-00	RIVET, AS65SF 3/16 X 1 3/8" (2 PER END CAP)
2	6	001-29825-00	10-24 X 1" SQWF (3 PER GUIDE)
3	8	001-70114-00	HHCS, 3/8-16 x 2 3/4" SS
4	8	001-70119-00	HHCS, 3/8-16 x 4" SS
5	16	001-76071-00	Nut, Nylock 3/8-16 Alum.
6	2	006-15700-00	CAP, VINYL-DIPPED - RIGHT REAR (1 PER GUIDE)
7	2	006-15800-00	CAP, VINYL-DIPPED - LEFT REAR (1 PER GUIDE)
8	4	006-15900-00	CAP, VINYL-DIPPED - CENTER (2 PER GUIDE)
9	1	006-16001-00	CAP, VINYL CARPET GUIDE END (L)
10	1	006-16002-00	CAP, VINYL-CARPET GUIDE END (R)
11	1	111-02557-00	ASSY, CARPET GUIDE (RIGHT) (INCLUDES #1, 2, 6, 7, 8 10, 16, 17)
12	1	111-02558-00	ASSY, CARPET GUIDE (LEFT) (INCLUDES #1, 2, 6, 7, 8, 9, 16, 17)
13	2	511-02501-00	ASSY, GUIDE CLAMP
14	2	511-02502-00	ASSY, GUIDE CLAMP
15	1	511-75075-00	LIFT, VSD-7500 FRAME
16	4	958-00315-00	PVC, BUMPER EXTRUSION - 23.75" (2 PER GUIDE)
17	2	958-00316-00	PVC, BUMPER EXTRUSION - 34" (1 PER GUIDE)



## STEP 1

- Before attaching the G.I. Clamps to the cradle beam, slide the clamps together so the ends are flush with each other. See Fig. 1

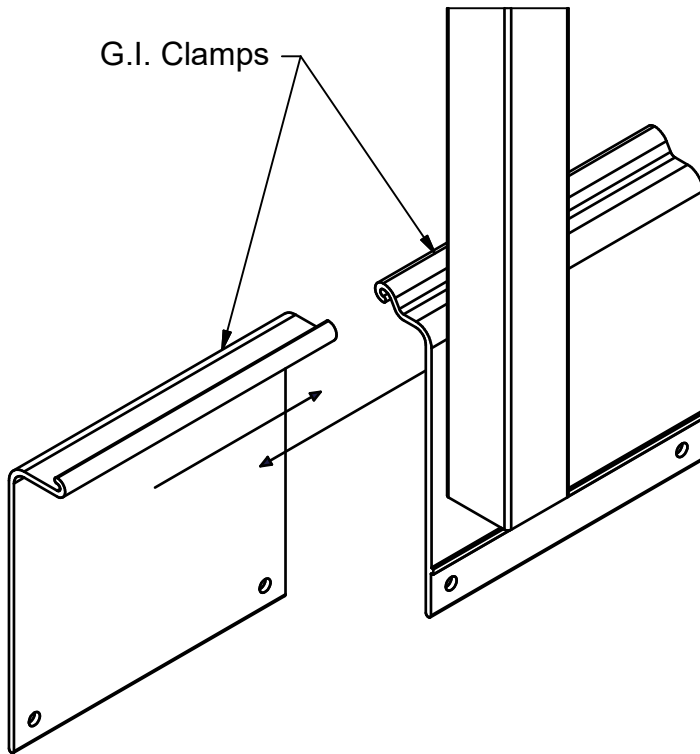


FIG. 1

## STEP 2

- Attach the clamp assembly onto the cradle beam using the 3/8 x 4" bolts and nuts. See Fig. 2. Refer to Exploded View on Sheet 2 for orientation when placing on cradle beams. Once you have placed the clamps in their final location, torque bolts to 35 ft. lbs.

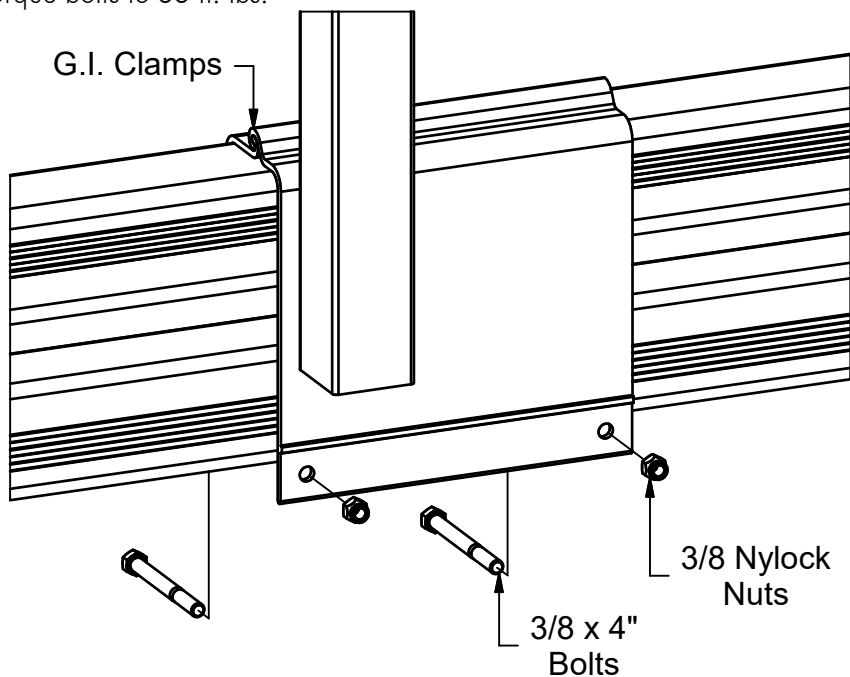
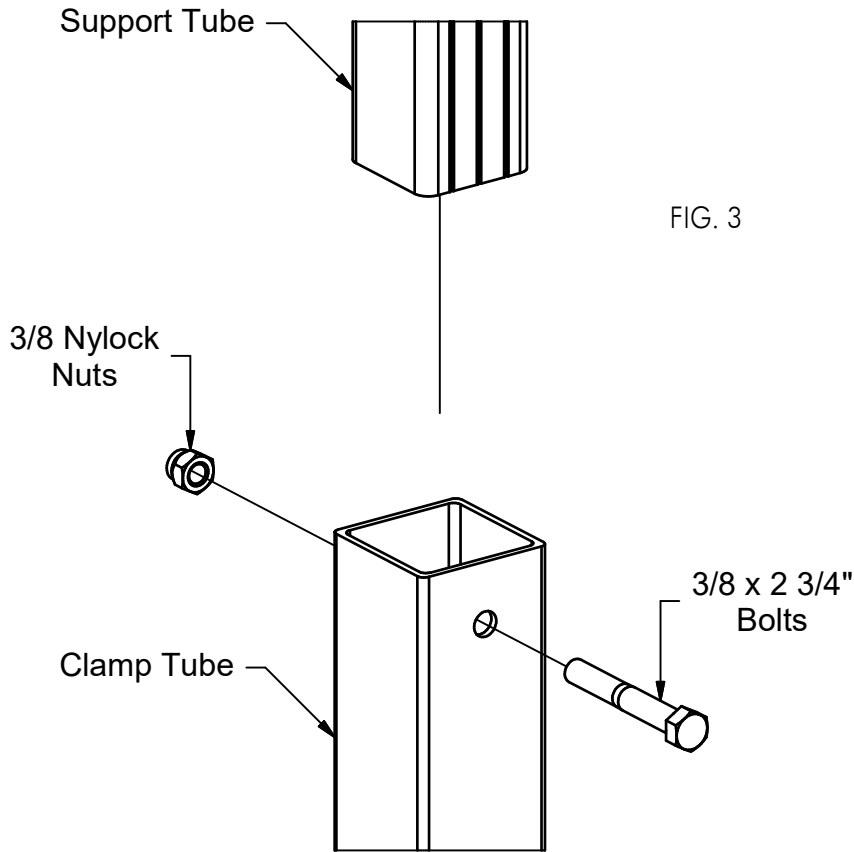


FIG. 2

### STEP 3

- Insert the Support Tubes into the Clamp Tubes and tighten with 3/8 x 2 3/4" bolts and nuts. Torque to 50 ft. lbs. See Fig. 3



### STEP 4

- Place the Guide Ins into the Support Tubes and fasten in place using the 3/8 x 2 3/4" bolts and nuts. Torque to 35 ft. lbs. See Fig. 4

