

FLOE EASY LEVEL LEGS PIN REPLACEMENT INSTRUCTIONS



P/N 511-06200-00

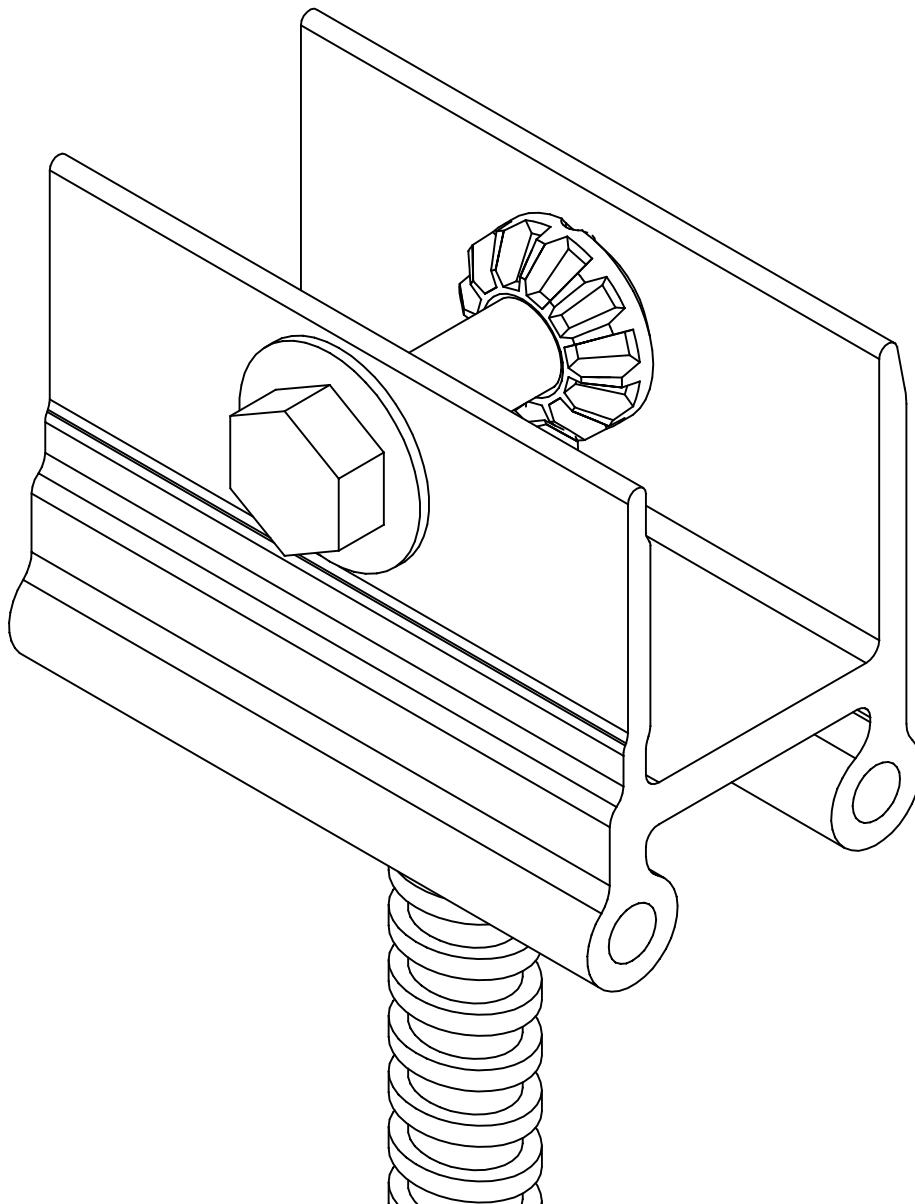
TOOLS REQUIRED

- (1) - 1/8" PUNCH
- (1) - HAMMER
- (1) - CORDLESS DRILL
- (2) - 1/2" WRENCHES OR SOCKETS
- (1) - 3/4" WRENCH

KIT CONTAINS

- | | |
|-------------------------------|--------------|
| (1) - TOP GEAR | 007-05023-00 |
| (1) - BOTTOM GEAR | 007-15024-00 |
| (1) - TOP PIN 5/32" x 15/16" | 001-26969-00 |
| (1) - BOTTOM PIN 3/16" x 7/8" | 001-26911-00 |
| (1) - ADJUSTING SCREW | 007-05079-01 |
| (2) - FLAT WASHERS 1/2" | 001-71021-00 |

**⚠ IMPORTANT ⚠:
REPLACE ALL OLD PARTS
WITH ALL NEW PARTS
INCLUDED IN THIS KIT**



Step 1:

Hoist one side of boat lift up and block lift. Boat lift should be hoisted approximately 53" up. See Fig. 1

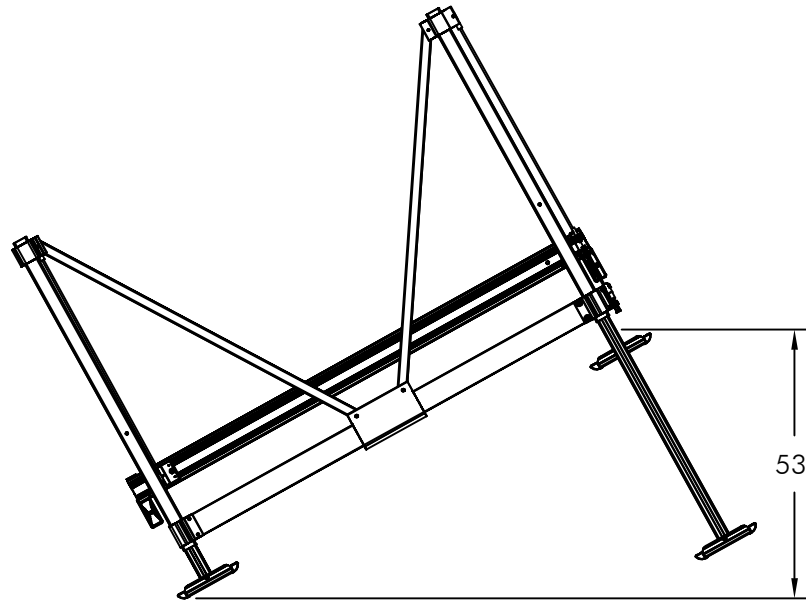


Fig. 1

Step 2:

Remove the (2) 5/16" x 3 1/2" carriage bolts from the corner post. The inner leg assembly should now be free to slide out. See Fig. 2.

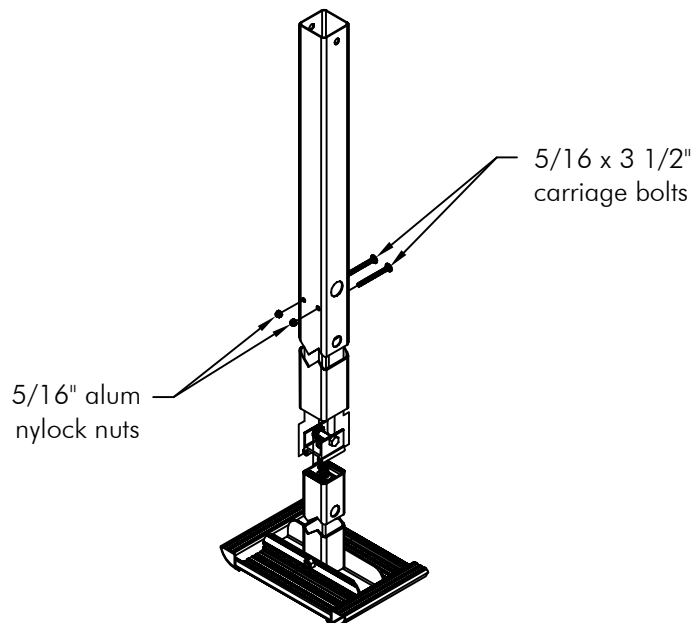
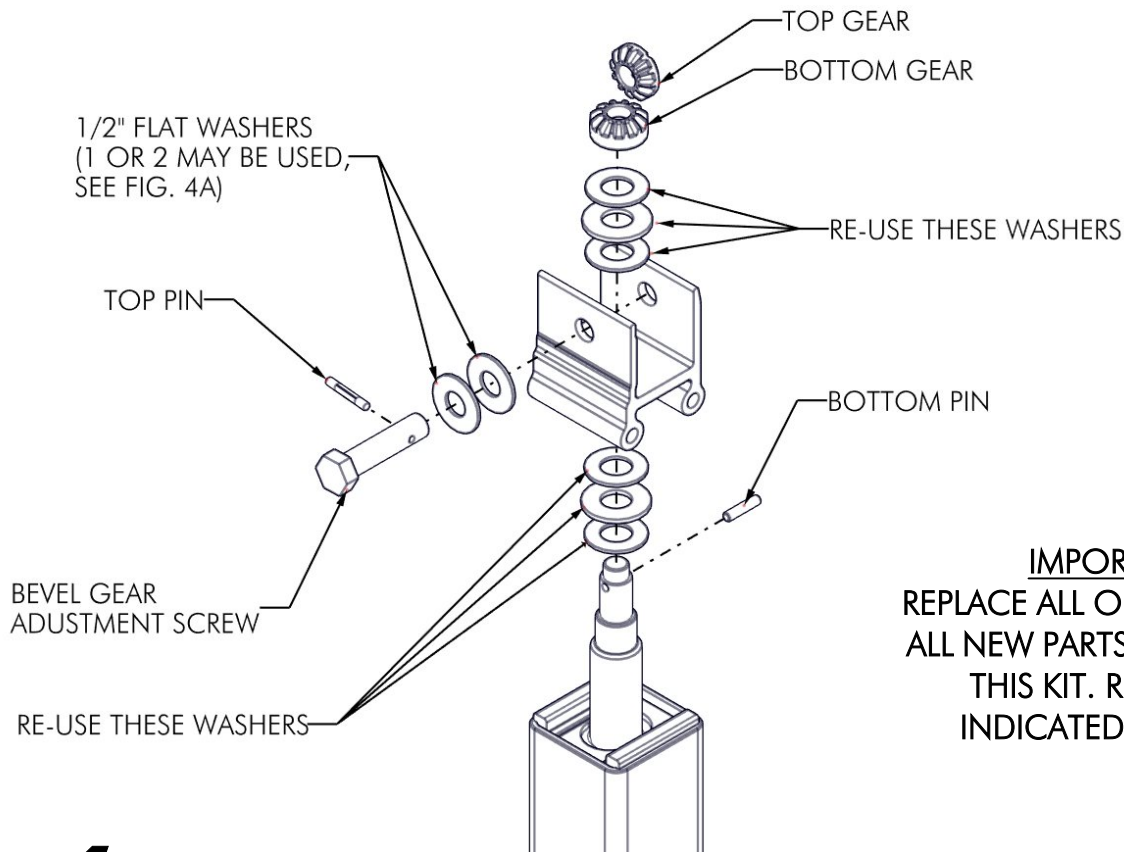


Fig. 2

Step 3:

Remove existing top pin with 1/8" punch, be sure the pin is perpendicular to the threaded rod during removal. To aid in pin removal use a 3/4" wrench to hold the bevel gear adjustment screw while driving out the pin. Slide bevel gear adjustment screw out of housing and remove top gear. Use #20 drill bit to enlarge hole in bevel gear adjustment screw. Slide adjustment screw back into housing and top gear. See Fig. 3



IMPORTANT:
REPLACE ALL OLD PARTS WITH ALL NEW PARTS INCLUDED IN THIS KIT. RE-USE THE INDICATED WASHERS.

Fig. 3

Step 4:

Rotate bevel gear adjustment screw until hole for top pin is perpendicular to leveling leg threaded rod. This will prevent breakage of bottom gear during top pin installation. Drive new top pin into hole in adjustment screw until centered. A final installed gear and pin set will spin freely and have a clearance between the washers and bracket about the thickness of a credit card (0.025" - 0.050"). See Fig. 4 & 4A.

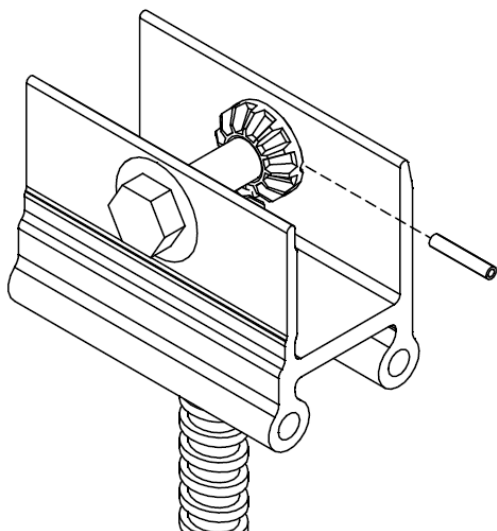


Fig. 4

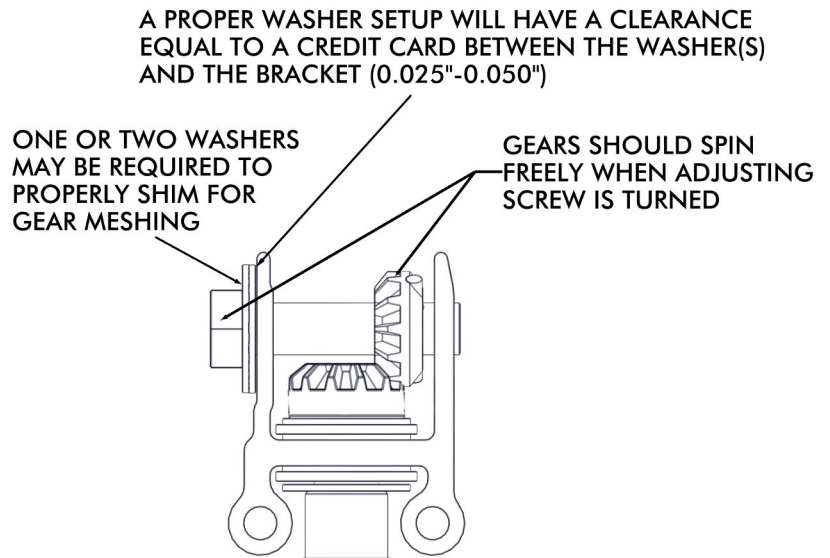


Fig. 4A

Step 5:

Insert the leveling leg assembly back into the corner post. Note the orientation of the bracket, holes in corner post and sand pad direction in Fig. 5. Reattach the leg to the corner post using the 5/16" x 3 1/2" carriage bolts and 5/16" nylock nuts. Bolts should be inserted from the inside of lift and go thru the corner post and holes in leveling leg bracket. See Fig. 5.

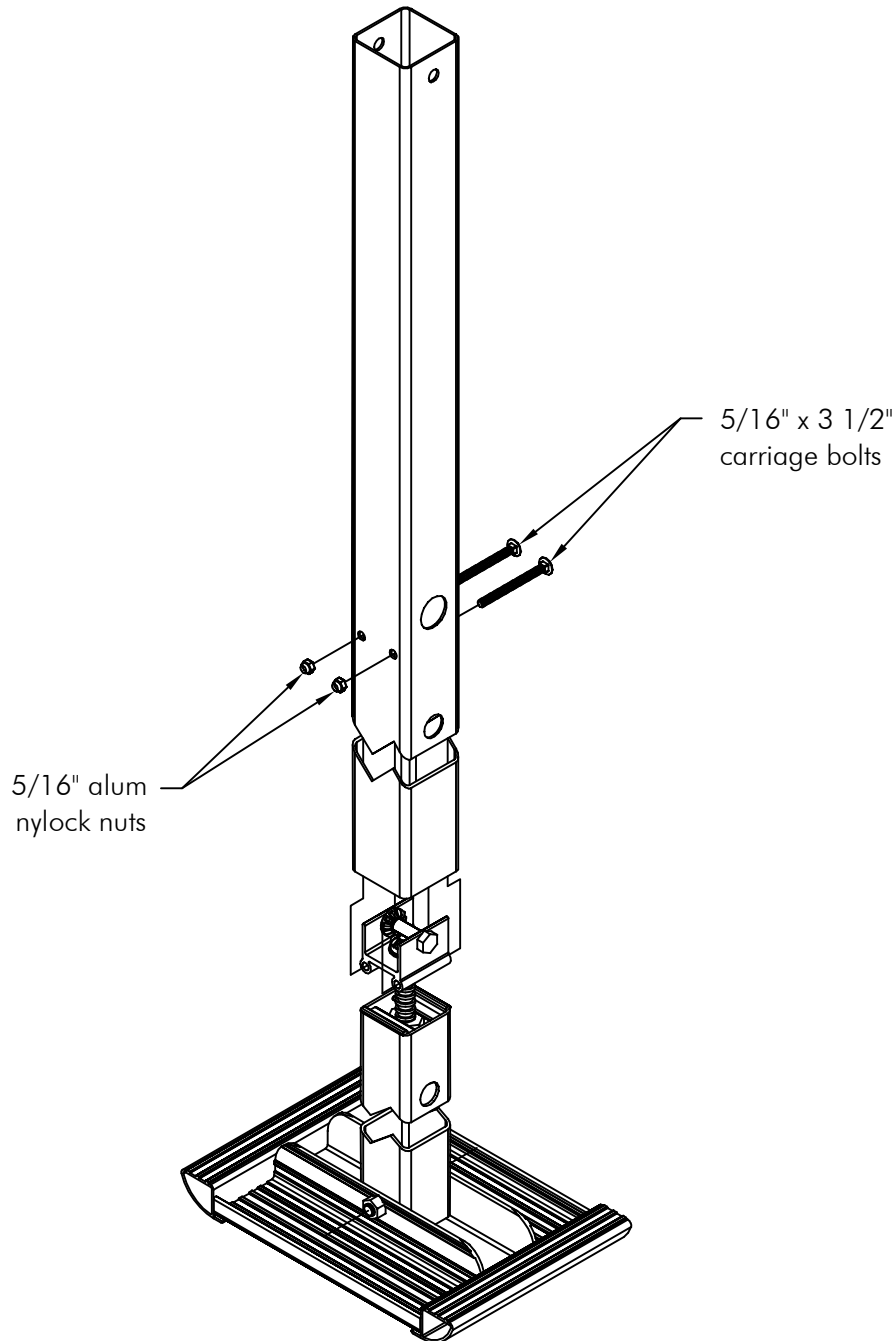


Fig. 5