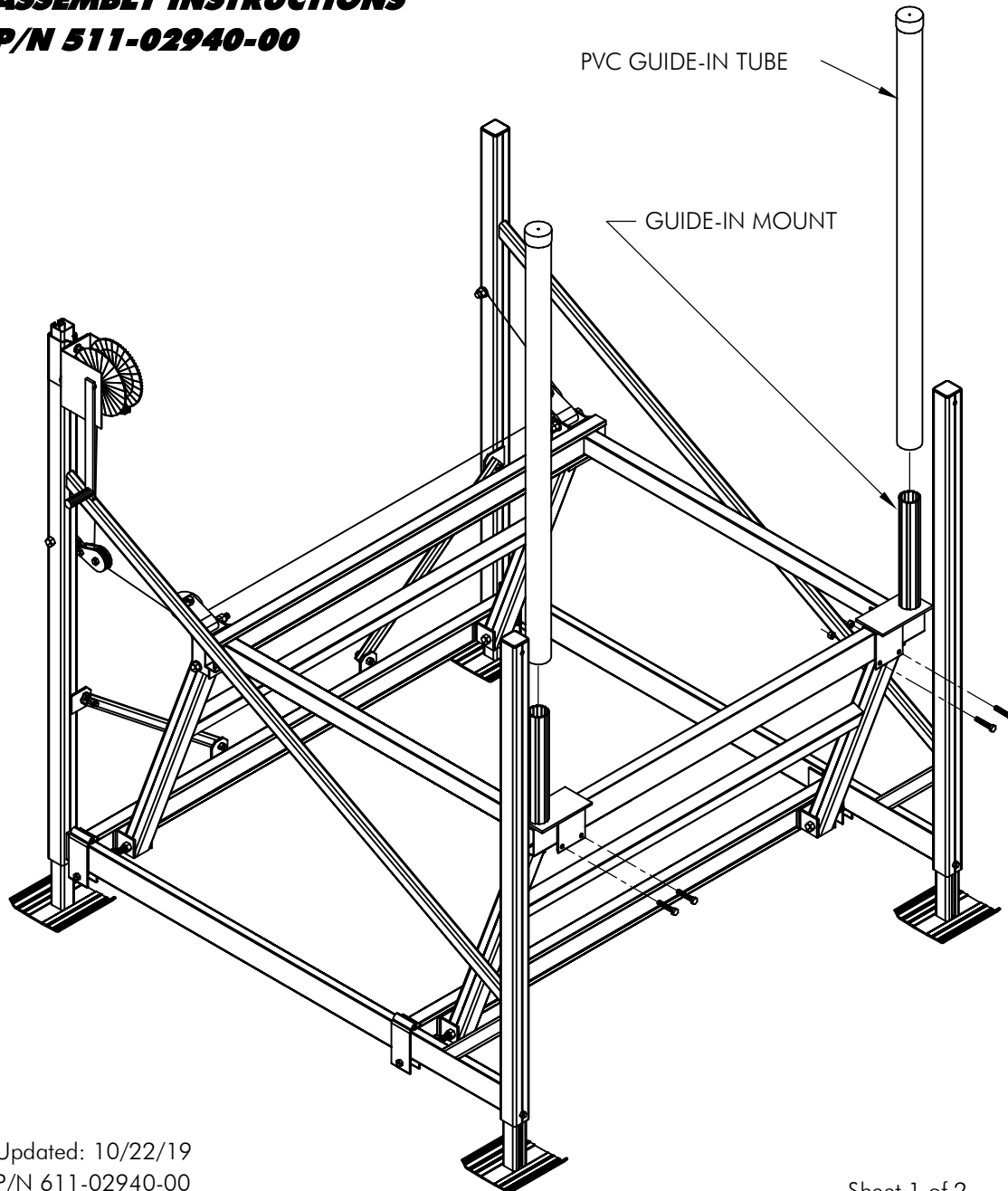


# **SINGLE VERTICAL PVC GUIDE-IN SYSTEM**

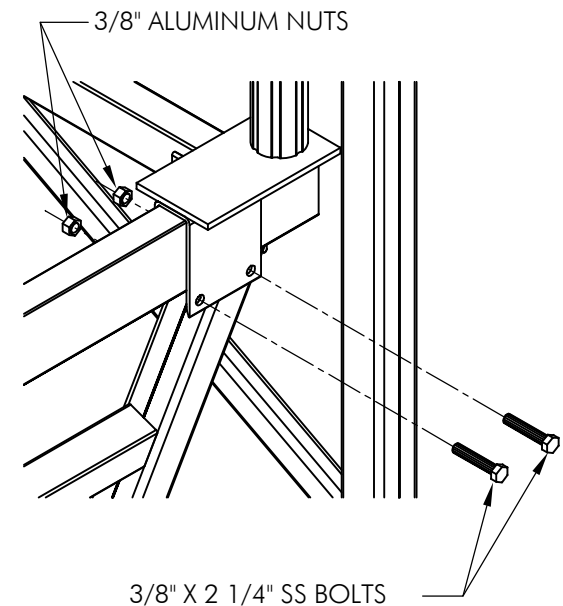
## **P-1200, P-1600, PWC-1300**

### **ASSEMBLY INSTRUCTIONS**

**P/N 511-02940-00**



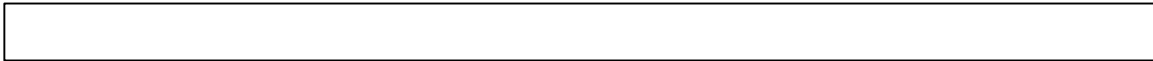
1. Place guide-in mounts on cradle beam as shown and fasten with 3/8" x 2 1/4" stainless steel bolts and aluminum nuts.
2. Install PVC guide-in tubes on guide-in mounts as shown.



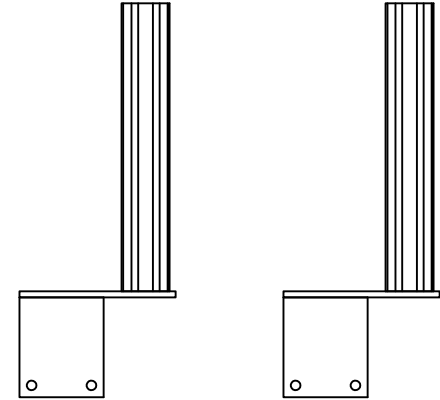
**CONTENTS OF:**

**P-1200, P-1600 & PWC-1300 SINGLE VERTICAL PVC GUIDE-IN**

**KIT P/N 511-02940-00**



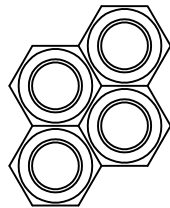
**(2) PVC GUIDE-IN TUBES WITH CAPS - P/N 511-02942-00**



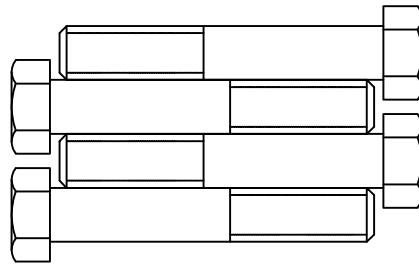
**(2) GUIDE-IN MOUNTS - P/N 111-00270-00**

**FASTENERS FOR:**

**P-1200, P-1600 & PWC-1300 SINGLE VERTICAL GUIDE-IN**



P/N 001-76349-00  
(4) 3/8" NUTS



P/N 001-70112-00  
(4) 3/8" x 2 1/4" BOLTS  
TORQUE TO 35 ft. lbs.

1/12/04  
511-02940-00  
007-11823-00

**(1) FASTENER KIT - P/N 511-04235-00**