

# FLOE DOCK SIDE QUICK-ATTACH BRACKETS VERTICAL BUMPER/WATER ACCESSORY RACK



KIT P/N 510-02572-00

ASSEMBLY INSTRUCTIONS

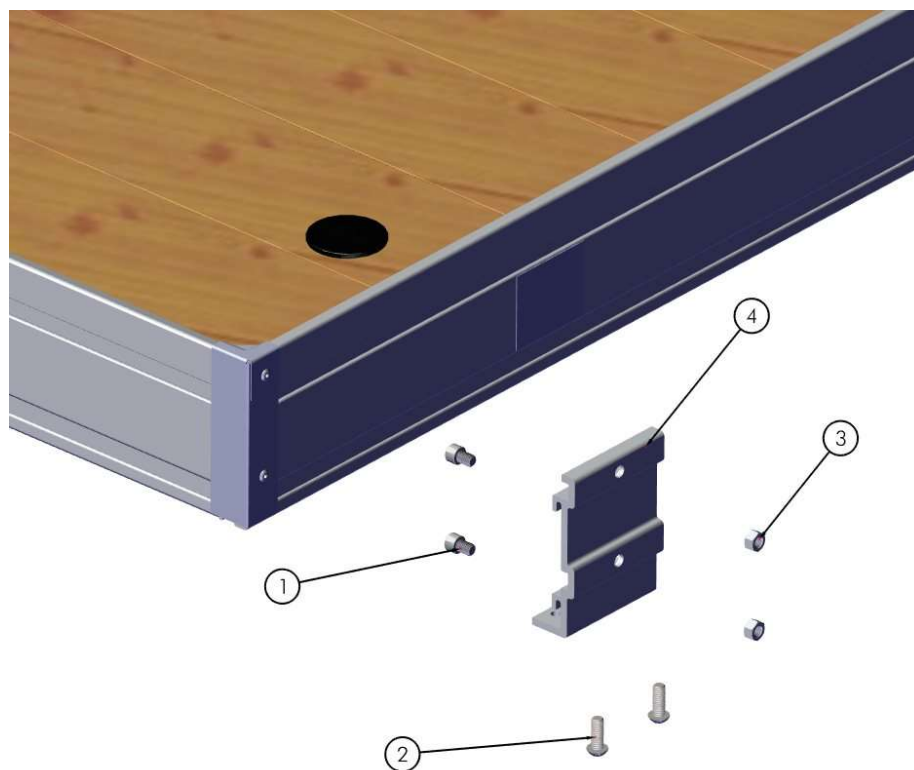
## BOM/EXPLODED VIEW

P/N 510-02572-00			
Number	Part Number	QTY.	Description
1	001-71414-00	2	LSHCS, 3/8-16 x 3/4" SS LOW PROFILE
2	001-73815-00	2	BHCS 3/8-16 x 1" SS
3	001-76349-00	2	NUT, 3/8-16 ALUM.
4	002-00148-01	1	BRACKET, QUICK ATT. BUMPER - 4"

### TOOLS REQUIRED

- 3/16" SOCKET
- 7/32" HEX SOCKET
- TORQUE WRENCH

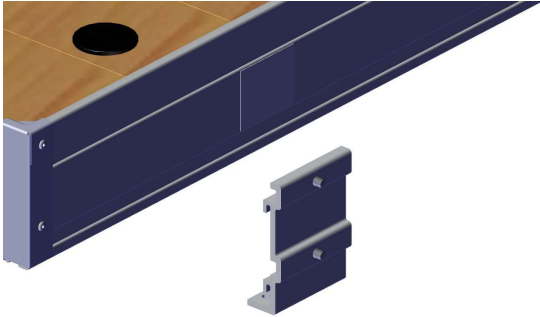
**NOTE: REFER TO VERTICAL BUMPER AND WATER ACCESSORY RACK INSTRUCTIONS FOR INSTALLATION AND ADJUSTMENT.**



# VERTICAL BUMPER INSTALLATION

## STEP 1

INSERT 3/8-16 x 3/4" SOCKET HEAD SCREWS INTO THE QUICK ATTACH BRACKET.



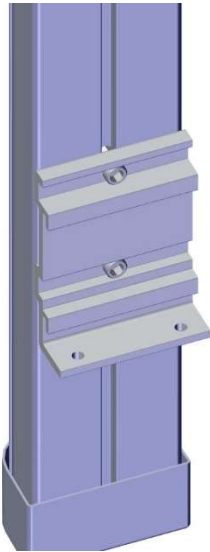
## STEP 2

PLACE 3/8-16 NUTS IN BUMPER.



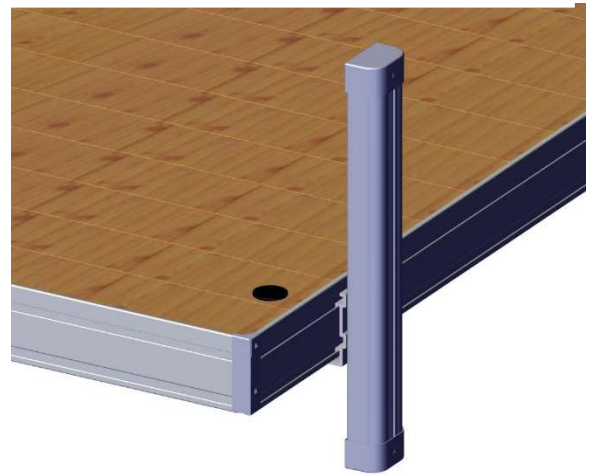
## STEP 3

PLACE BUMPER ONTO BRACKET AND ALIGN TO DESIRED HEIGHT.  
TORQUE SCREWS TO 10 FT/LBS.



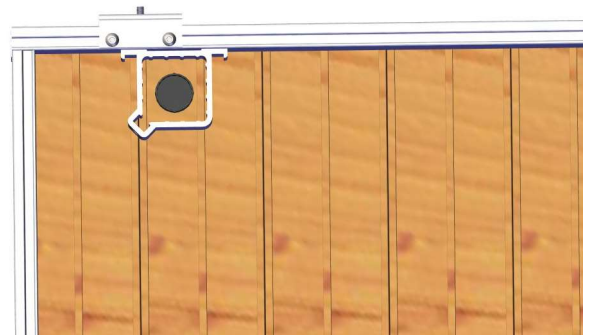
## STEP 4

ATTACH CAP TO BUMPER AND PLACE BUMPER ONTO DOCK SIDE. POSITION ACCORDINGLY.



## STEP 5

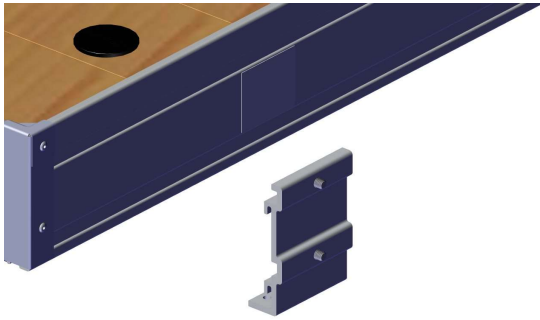
INSERT (2) 3/8-16 x 1" BUTTON HEAD BOLTS INTO THE BOTTOM OF EACH BRACKET.  
TORQUE TO 5 FT/LBS MAXIMUM.



# WATER ACCESSORY RACK INSTALLATION

## STEP 1

INSERT 3/8-16 x 3/4" SOCKET HEAD SCREWS INTO THE QUICK ATTACH BRACKET.



## STEP 2

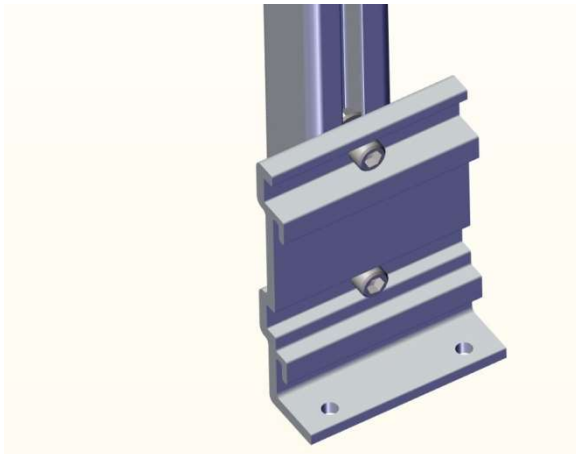
PLACE 3/8-16 NUTS AND WASHERS IN WATER ACCESSORY RACK UPRIGHT (WASHERS FOUND IN WATER ACCESSORY RACK KIT)



## STEP 3

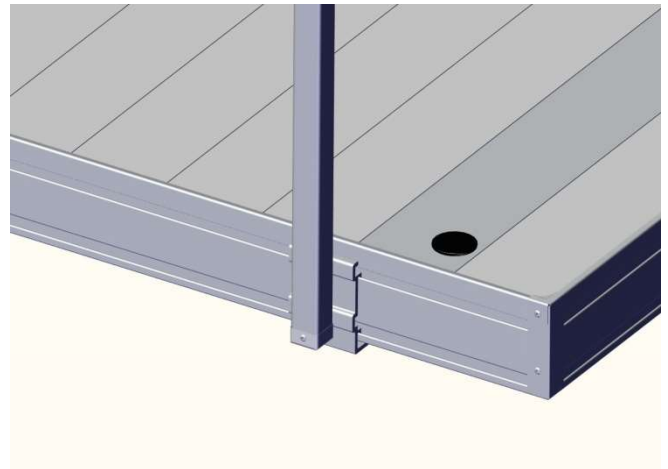
PLACE RACK ONTO BRACKET AND ALIGN TO DESIRED HEIGHT.

TORQUE SCREWS TO 10 FT/LBS.



## STEP 4

PLACE RACK ONTO DOCK SIDE. POSITION ACCORDINGLY AT DESIRED SPACING.



## STEP 5

INSERT (2) 3/8-16 x 1" BUTTON HEAD BOLTS INTO THE BOTTOM OF EACH BRACKET.

TORQUE TO 5 FT/LBS MAXIMUM.

