

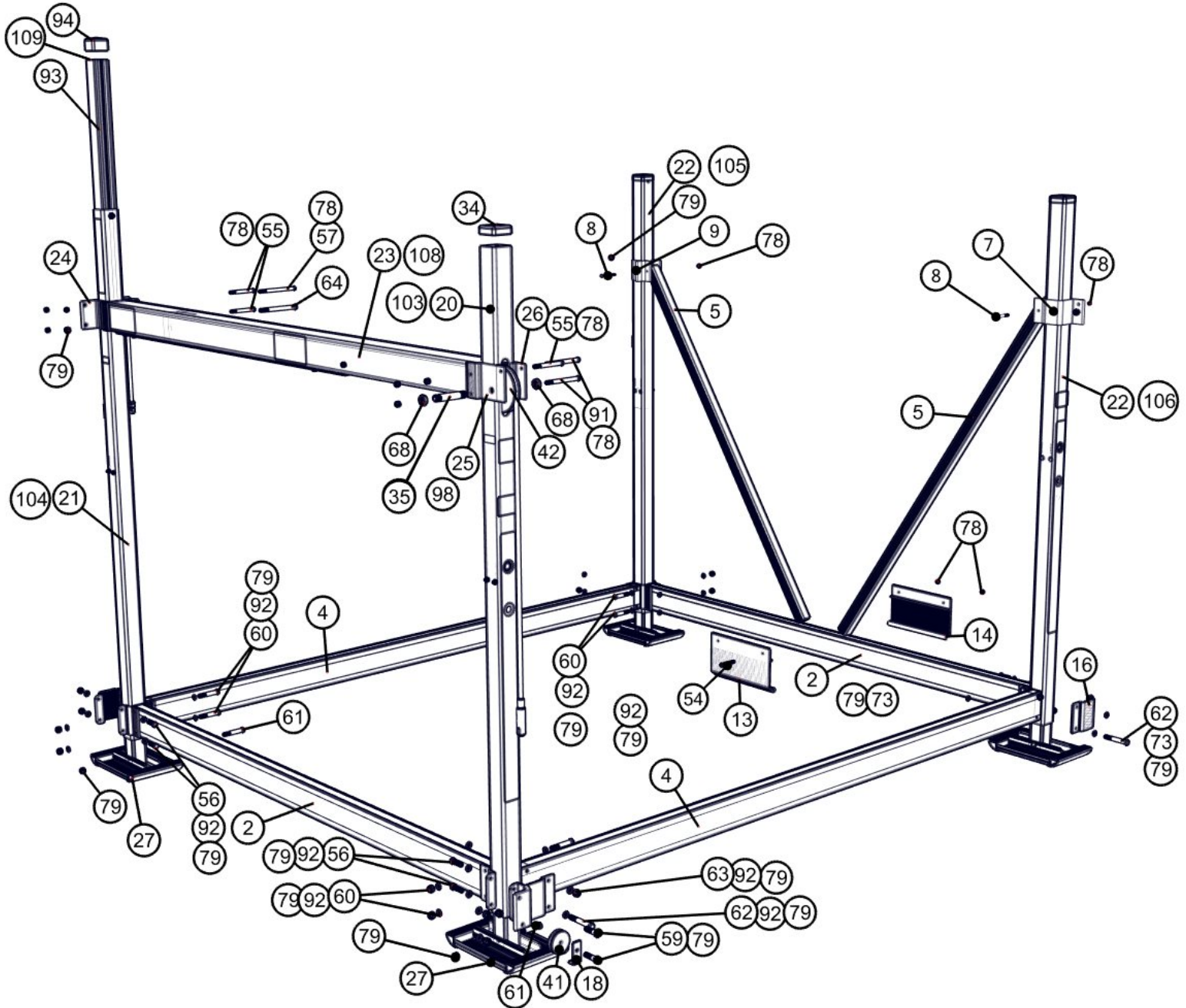
# VSD-3800 EXPLODED VIEW

LIFT P/N 511-38075-01

NO.	PART NO.	Q.TY.	DESCRIPTION	NO.	PART NO.	Q.TY.	DESCRIPTION
1	002-04015-00	7	CRADLE CLAMP 1.5"	59	001-70211-00	4	HHCS, 1/2-13 X2" SS 18-8
2	002-00050-00	2	SIDE FRAME BEAM 96" (.100)	60	001-70217-00	14	HHCS, 1/2-13 X3 1/2" SS 18-8
3	002-04017-00	1	CRADLE LIFT CLAMP 2.5"	61	001-70218-00	4	HHCS, 1/2-13 X3 3/4" SS 18-8
4	002-00055-00	2	F/R FRAME BEAM 116" (.125)	62	001-70221-00	2	HHCS, 1/2-13 X4 1/2" SS 18-8
5	002-04022-01	2	V-BRACE 77"	63	001-70215-00	2	HHCS, 1/2-13 X3" SS 18-8
6	002-04031-00	4	CRADLE GUIDE	64	001-70227-00	1	HHCS, 1/2-13 X7" SS 18-8
7	002-00001-00	2	BRACKET, UPPER LFTG./V-BRACE	65	001-70310-00	2	HHCS, 5/8-11 X1 3/4" SS 18-8
8	001-70117-00	4	HHCS, 3/8-16 X3 1/2" 18-8 SS	66	001-70313-00	4	HHCS, 5/8-11 X2 1/2" SS 18-8
9	002-00002-00	2	BRACKET, UPPER V-BRACE - 4"	67	001-16369-00	1	HHCS, 3/4-16 X4" GRADE 5 PLAIN
10	002-04040-00	2	SIDE CRADLE 109"	68	001-70817-00	2	NUT, JAM 3/4-10 SS 18-8
11	001-40365-00	1	FLATWASHER, M24 ZINC	69	001-70816-00	6	NUT, JAM 5/8-11 SS 18-8
12	002-00066-00	1	CRADLE BEAM 121" (.110)	70	001-70861-00	8	NUT, JAM 5/16-18 ALUMINUM NYLOCK
13	002-04064-00	1	V-BRACE CLAMP (FEMALE)	71	001-71017-00	8	3/8" SAE FLAT WASHER
14	002-04066-00	1	V-BRACE CLAMP (MALE)	72	001-71021-00	19	1/2" FLAT WASHER SAE SS 18-8
15	002-00005-00	4	FRAME BEAM CLAMP (INNER)	73	001-71022-00	32	1/2" FLAT WASHER USS SS 18-8
16	002-00003-00	3	FRAME BEAM CLAMP (OUTER)	74	001-26969-00	4	PIN, GROOVE 5/32" X1 1/8" ZINC
17	002-00004-00	1	FRAME BEAM WINCH CLAMP	75	001-26911-00	4	DOWEL PIN 3/16" X 7/8"
18	002-04140-00	1	CABLE HOLDER	76	001-74402-00	8	CARRIAGE BOLT, 5/16-18 X3 1/2" SS 18-8
19	002-04314-00	4	LEVEL LEG BRACKET (3")	77	001-71024-00	16	FLATWASHER, 5/8" X1 1/4" X .060" SS
20	002-00044-01	1	POST, CORNER "A" LIFTING	78	001-76071-00	15	NUT, 3/8-16 ALUMINUM NYLOCK
21	002-00045-01	1	POST, CORNER "B" MOTOR	79	001-76072-00	44	NUT, 1/2-13 ALUMINUM NYLOCK
22	002-00046-01	2	POST, CORNER "C & D"	80	111-00248-00	1	BALL NUT BLOCK ASSEMBLY
23	111-00415-01	1	BALL SCREW TUBE WELDMENT	81	001-73454-00	1	SHCS, 10-32 X1 3/4" SS 18-8
24	002-04306-01	1	3" BALL SCREW CLAMP	82	001-76073-00	1	NUT, 10-32 ALUMINUM NYLOCK
25	002-04307-00	1	3" PULLEY CLAMP (OUTER)	83	001-93524-00	1	NUT, SLOTTED M24 X1.5
26	002-04308-00	1	3" PULLEY CLAMP (INNER)	84	001-70245-00	1	HHCS, 1/2-20 X1 3/4" SS 18-8
27	111-00000-00	4	SAND PAD	85	001-76069-00	8	5/8" FLAT WASHER - NYLON
28	111-00216-01	4	INNER SCREW LEG WELDMENT	86	007-05223-00	1	RIGID COUPLER
29	911-15502-00	1	CRADLE BEAM 121" (.110)	87	007-05242-00	1	3/16" SQ. X2" KEY
30	911-20601-00	4	CRADLE U-CLAMP 2.125"	88	111-38500-00	1	LIMIT SWITCH ASSY 3800/5000
31	006-10202-00	4	CRADLE GUIDE WEARPAD	89	001-70203-00	2	HHCS, 1/2-13 X3/4" SS 18-8
32	006-10206-00	8	SIDE CRADLE SHEAVE SPACER	90	007-05126-00	1	M8 X1 GREASE ZERK (FLUSH)
33	006-11001-00	4	UHMW - 3/16" X 1/2" X 5" LG.	91	001-70124-00	2	HHCS, 3/8-16 X5 1/2" SS 18-8
34	006-15200-00	3	3" CORNER POST CAP	92	001-71023-00	16	FLAT WASHER, .5 ID X.75 OD SS
35	007-04154-00	1	3/4" SHEAVE PIN	93	911-14201-00	1	ADJUSTABLE INSERT
36	111-00311-00	1	ASSY BEARING BLOCK W/BEARING	94	006-15022-00	1	CAP, VINYL - CANOPY/WINCH INSERT
37	007-05013-00	1	BALL SCREW END STOP PLATE	95	006-10021-00	1	UHMW BALLSCREW SUPT. SLEEVE
38	007-05023-00	4	TOP BEVEL GEAR - 1:1	96	006-22202-00	1	STEEL SLEEVE 1" X2.25" LG
39	007-15024-00	4	BOTTOM BEVEL GEAR -(FAB)	97	001-70209-00	8	HHCS, 1/2-13 X1 1/2" SS 18-8
40	007-05079-00	4	BEVEL GEAR ADJUSTMENT SCREW	98	007-07707-00	2	SPACER, PULLEY 3800/5000
41	007-06201-00	1	3" CLAMP SHEAVE	99	002-03323-01	4	PLATE, 1X2" X3/16" THK (WELDED TO CORNER POST)
42	111-00201-00	1	ASSY, 6" LIFTING SHEAVE				
43	007-07700-00	4	SPACER TUBE - 1.297"				
44	007-07701-00	2	SPACER TUBE - 1.055"				
45	007-09000-00	2	SIDE LEVELING CABLE - 166.125"				
46	007-09300-00	1	FRONT LEVELING CABLE - 200 1/4"				
47	007-09126-00	1	LIFTING CABLE 102 3/4"	100	111-00045-00		SIDE CRADLE ASSEMBLY (A) INCLUDES ITEMS 6, 10, 31, 32, 33, 43, 45, 49, 66, 69
48	011-15005-00	1	1727mm BALL SCREW 40-10mm W/NUT	101	111-00046-00		SIDE CRADLE ASSEMBLY (B) INCLUDES ITEMS 6, 10, 31, 32, 33, 43, 45, 49, 66, 69
49	111-00107-00	6	5" SHEAVE W/BUSHING	102	111-00417-00		FRONT CRADLE ASSEMBLY (.145) INCLUDES ITEMS 12, 44, 46, 49, 65, 69
50	001-70123-00	1	HHCS, 3/8-16 X5" SS 18-8				
51	001-23876-00	1	SHCS, 1/2-20 X1 1/4" BLACK	103	111-00388-02		V3800 CORNER POST ASSY (A) INCLUDES ITEMS 20, 25, 26, 34, 35, 42, 68, 70, 76, 99, 107
52	001-33092-00	1	FLAT WASHER SAE 3/4" ZINC				
53	001-70109-00	4	HHCS, 3/8-16 X1 1/2" SS 18-8	104	111-00389-02		V3800 CORNER POST ASSY (B) INCLUDES ITEMS 22, 34, 70, 76, 99, 107
54	001-70115-00	4	HHCS, 3/8-16 X3" SS 18-8				
55	001-70121-00	3	HHCS, 3/8-16 X4 1/2" SS 18-8	105	111-00390-02		V3800 CORNER POST ASSY (C) INCLUDES ITEMS 22, 34, 70, 76, 99, 107
56	001-70210-00	8	HHCS, 1/2-13 X1 3/4" SS 18-8				
57	001-70127-00	1	HHCS, 3/8-16 X7" SS 18-8	106	111-00391-02		V3800 CORNER POST ASSY (D) INCLUDES ITEMS 22, 34, 70, 76, 99, 107
58	001-70207-00	1	HHCS, 1/2-13 X1 1/4" SS 18-8				
				107	111-00234-01		WELD'T, INNER LEG 2-38 NEW EXTR INCLUDES ITEMS 19, 28, 38, 39, 40, 72, 74, 75, 77, 85
				108	111-00416-01		3800/5000# BALL SCREW TUBE ASSEMBLY INCLUDES ITEMS 11, 23, 36, 37, 47, 48, 50, 51, 52, 63, 67, 78, 79, 80, 83, 86, 87, 88, 89, 90, 95, 98
				109	111-00411-01		CANOPY/WINCH POST INCLUDED ITEMS 58, 72, 79, 93, 94

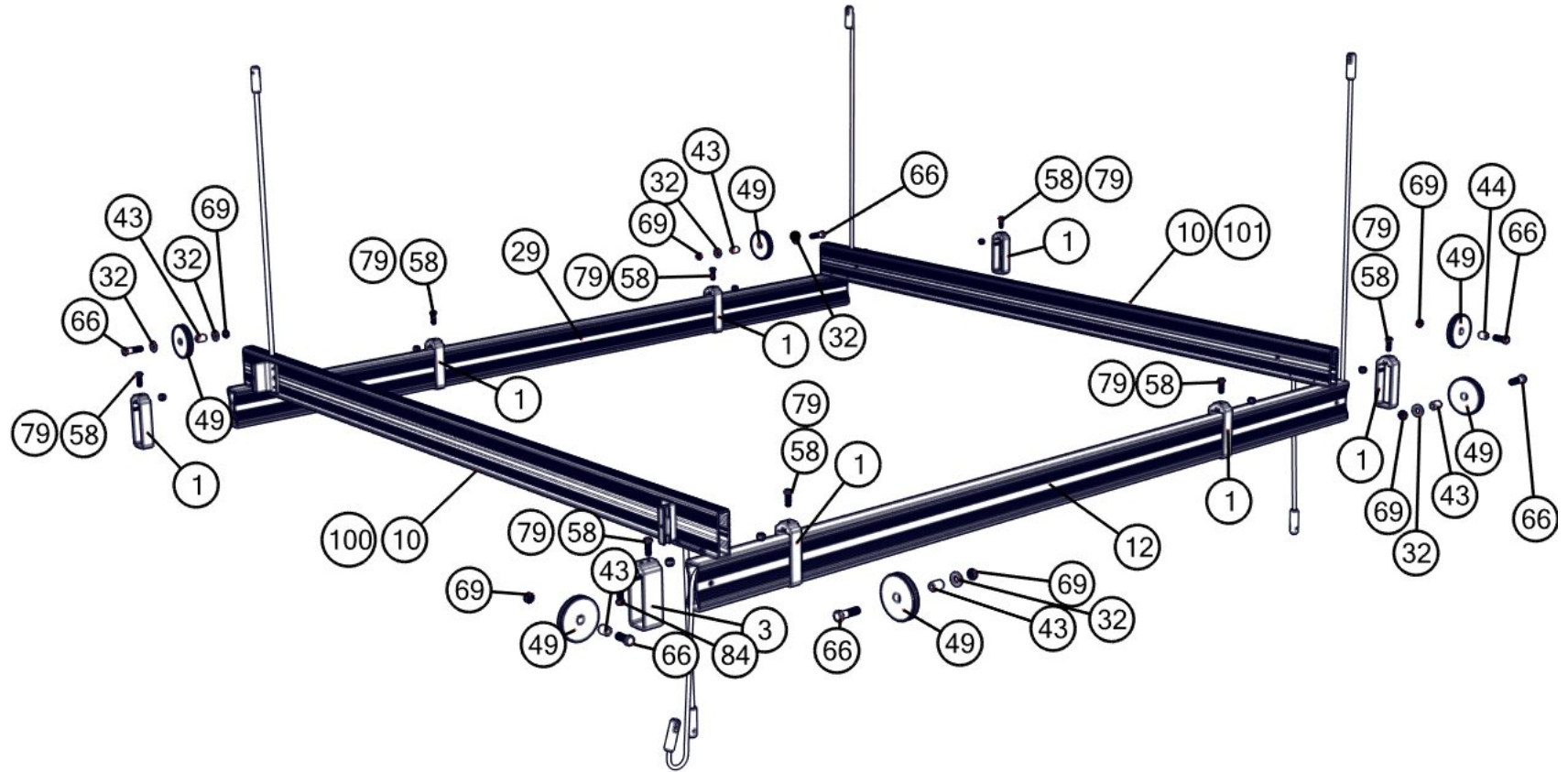
# VSD 3800 Frame Exploded View A

LIFT P/N 511-38075-01



# VSD 3800 Frame Exploded View B

LIFT P/N 511-38075-01



# VSD 3800 Frame Exploded View C

LIFT P/N 511-38075-01

