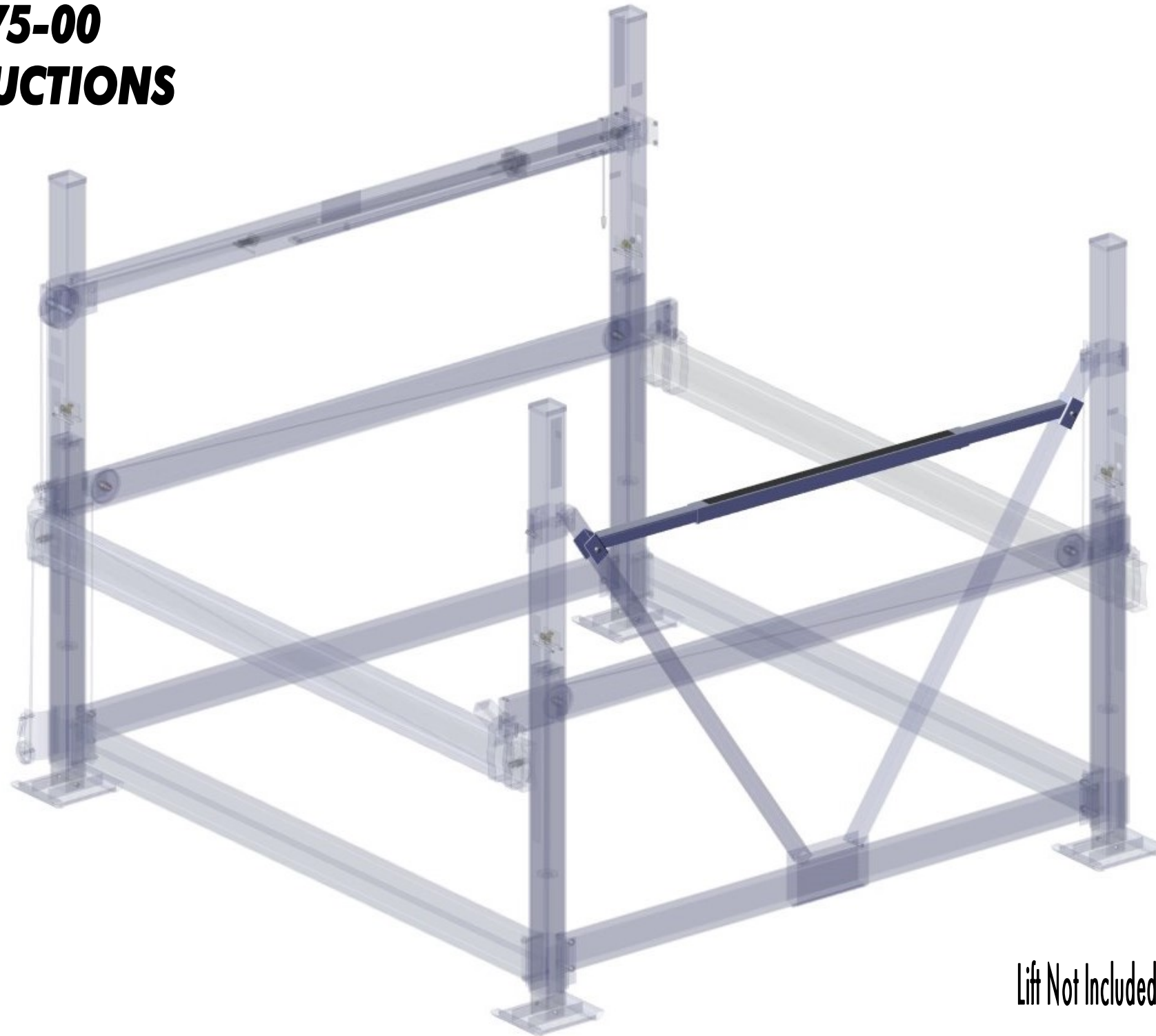


FLOE VSD 6-8000 BOAT LIFT STEP
P/N 511-95075-00
ASSEMBLY INSTRUCTIONS



- TOOLS REQUIRED**
- 3/4" Wrench
(or 3/4" Socket & Ratchet)
 - 5/16" Hex Key
 - 5/16" Hex Socket Bit
 - Torque Wrench
 - Tape Measure

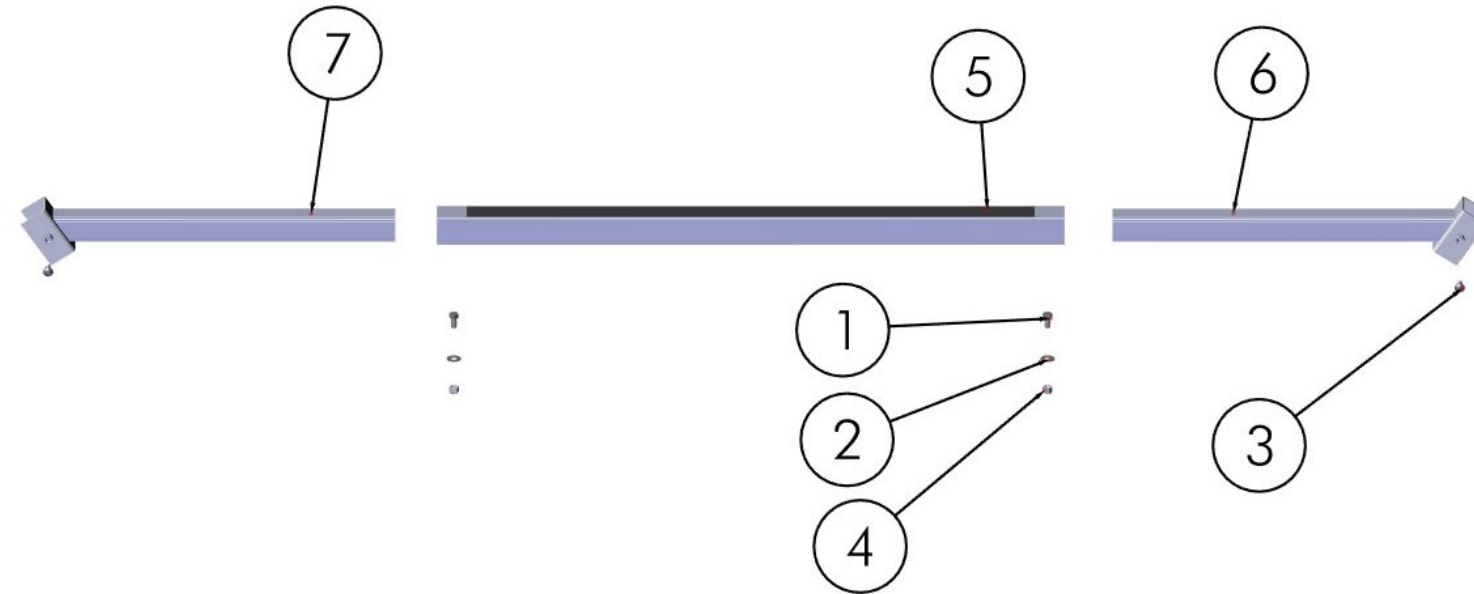
Lift Not Included

Instructions P/N
611-95075-00
Issued 6/19/17

SHEET 1 OF 3

©Manufactured by:
Floe International Inc.
48473 State Hwy. 65
McGregor, MN
55760
www.floeintl.com

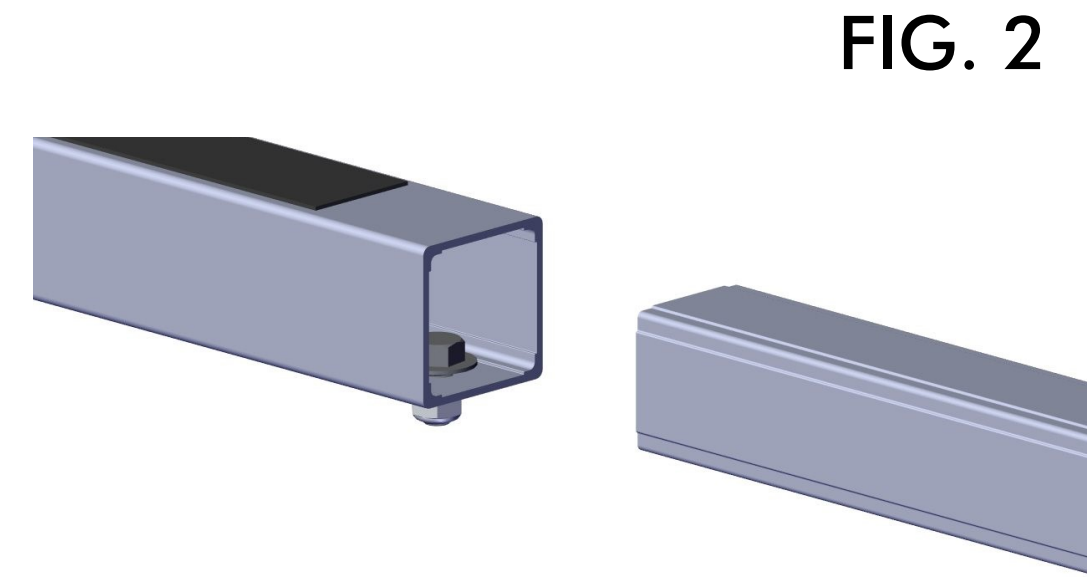
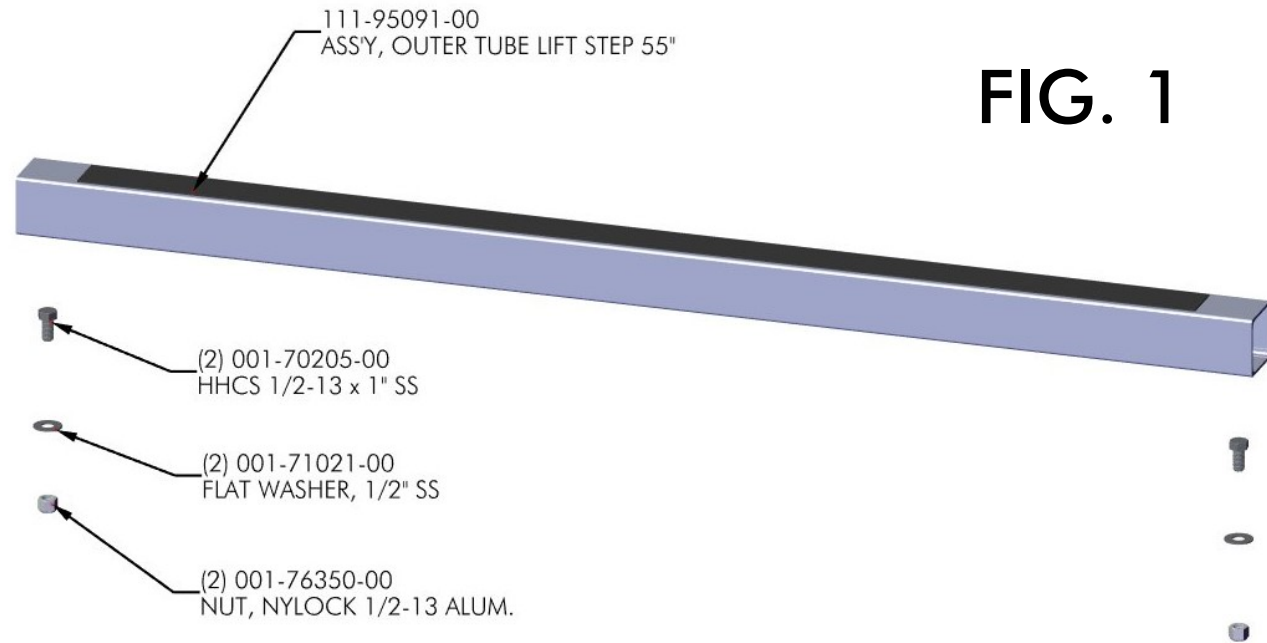
6-8000 LIFT STEP EXPLODED/BOM



| STEP, 6000-8000 BOAT LIFT | | | |
|---------------------------|-----------------|-------------|---------------------------------|
| P/N 511-95075-00 | | | |
| <u>NO.</u> | <u>PART NO.</u> | <u>QTY.</u> | <u>DESCRIPTION</u> |
| 1 | 001-70205-00 | 2 | HHCS, 1/2-13 x 1" 18-8 SS |
| 2 | 001-71021-00 | 2 | FLAT WASHER, 1/2" 18-8 SS |
| 3 | 001-73834-00 | 2 | BHCS, 1/2-13 x 1" 18-8 SS |
| 4 | 001-76072-00 | 2 | NUT, NYLOCK 1/2-13 ALUM. |
| 5 | 111-95091-00 | 1 | ASS'Y, OUTER TUBE LIFT STEP 55" |
| 6 | 111-95101-00 | 1 | WELD'T, LIFT STEP SUPPORT "A" |
| 7 | 111-95105-00 | 1 | WELD'T LIFT STEP SUPPORT "B" |

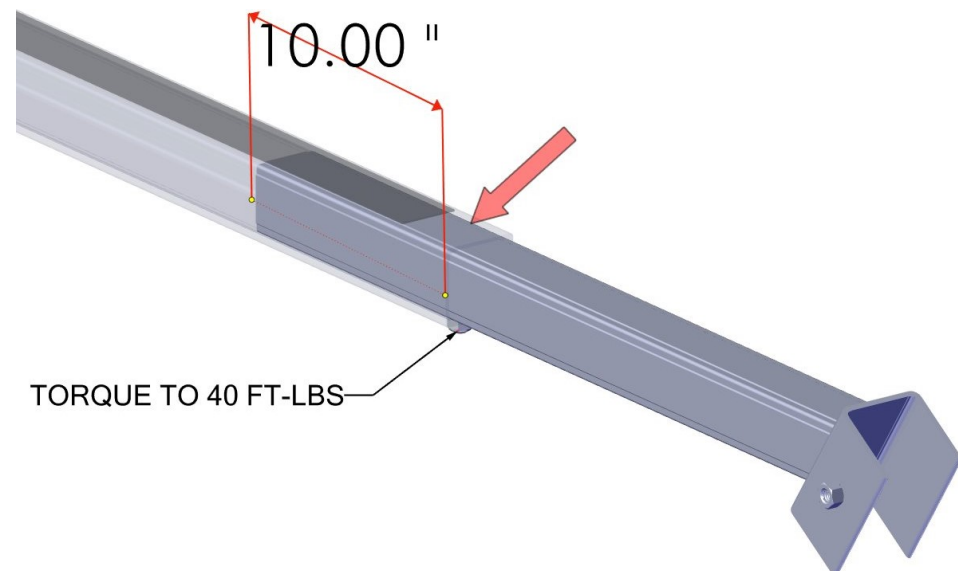
STEP 1

ASSEMBLE FASTENERS (FIG.1) AND ALIGN TO JOIN INNER AND OUTER SUPPORT BRACKETS (FIG. 2).



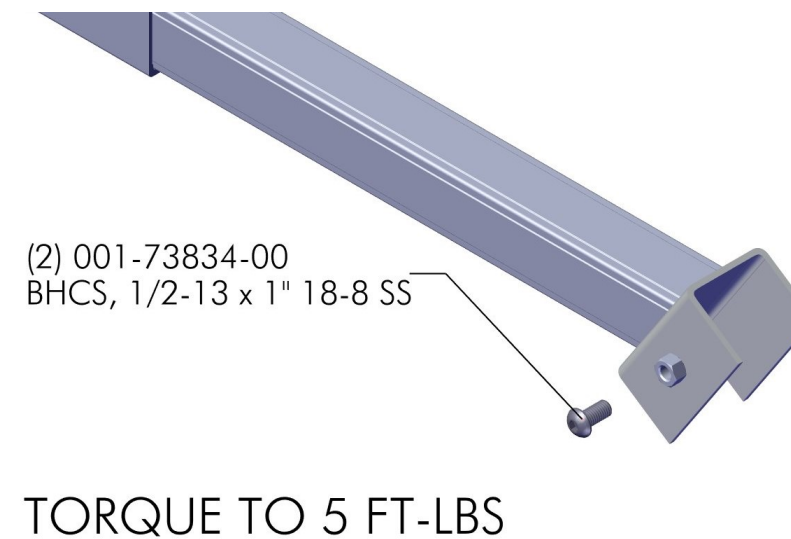
STEP 2

INSERT INNER SUPPORT BRACKETS WHILE ACCOUNTING FOR **A MINIMUM OF TEN INCHES** OF OVERLAP. TORQUE OUTER FASTENERS TO 40 FT-LBS.



STEP 3

INSERT 1/2-13 x 1" BUTTON BOLTS IN EACH END BRACKET. TIGHTEN WHEN DESIRED LOCATION OF LIFT STEP IS ACHIEVED ON LIFT. TORQUE TO 5 FT-LBS.



DOCKS & LIFTS

FE

