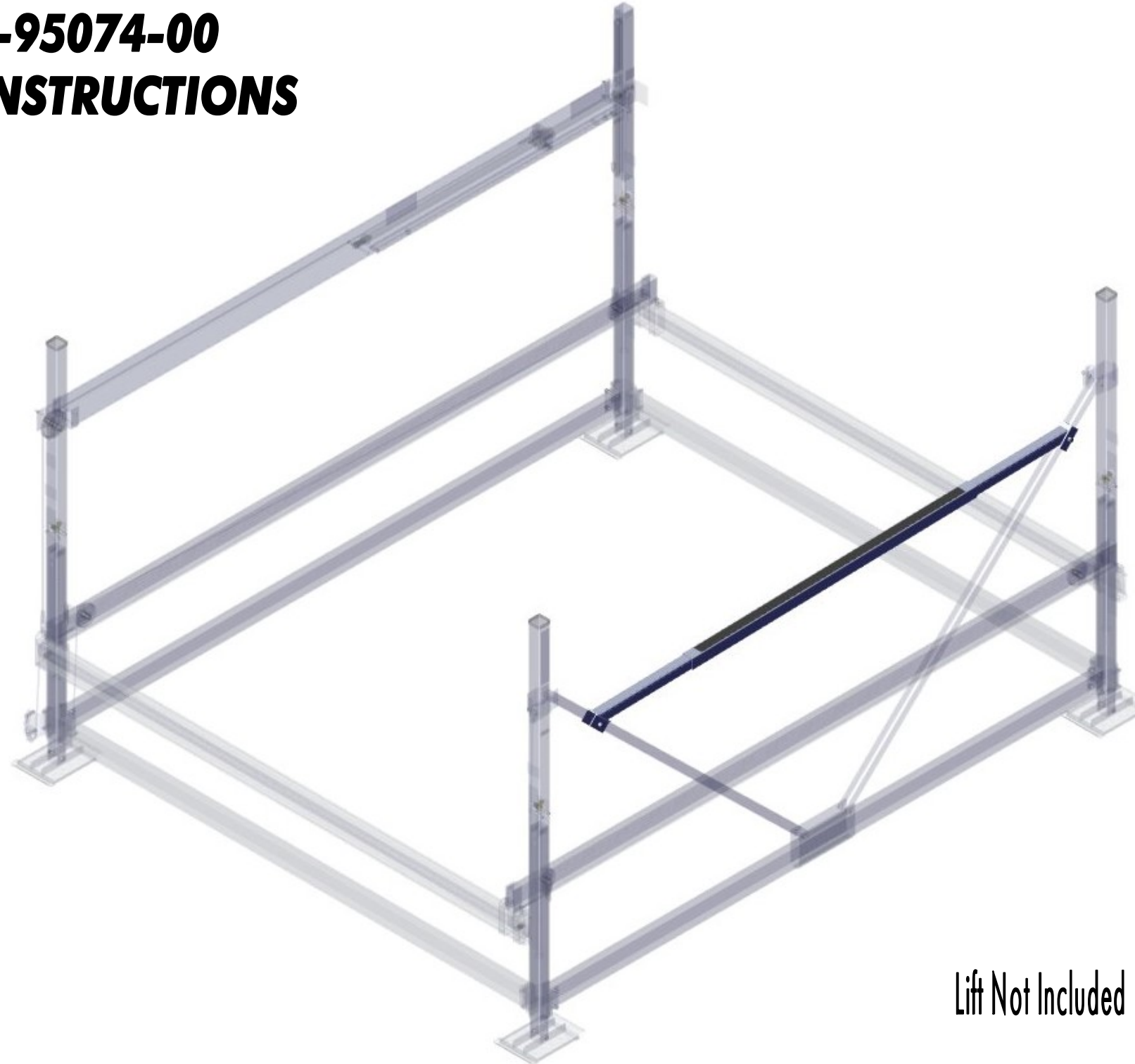


FLOE VSD 5000 PONTOON BOAT LIFT STEP
P/N 511-95074-00
ASSEMBLY INSTRUCTIONS



- TOOLS REQUIRED**
- 3/4" Wrench
(or 3/4" Socket & Ratchet)
 - 5/16" Hex Key
 - 5/16" Hex Socket Bit
 - Torque Wrench
 - Tape Measure

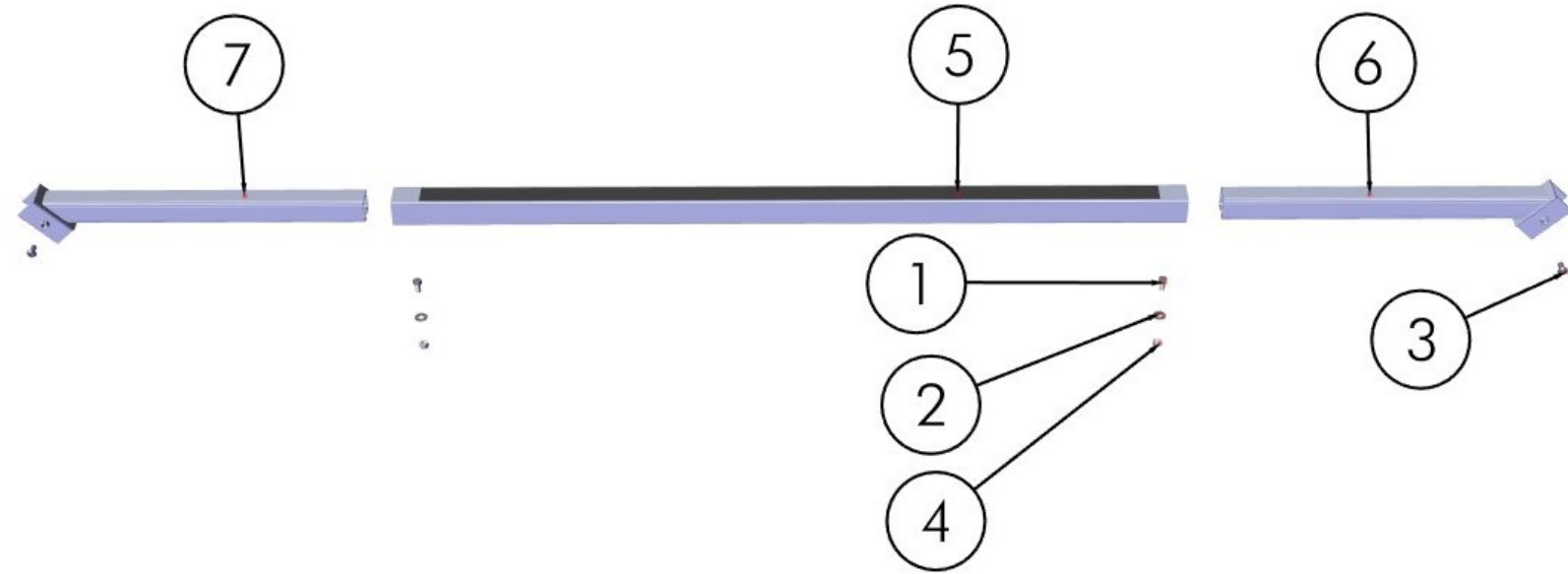
Lift Not Included

Instructions
P/N 611-95074-00 Rev B
Issued 6/19/17

SHEET 1 OF 3

©Manufactured by:
Floe International Inc.
48473 State Hwy. 65
McGregor, MN
55760
www.floeintl.com

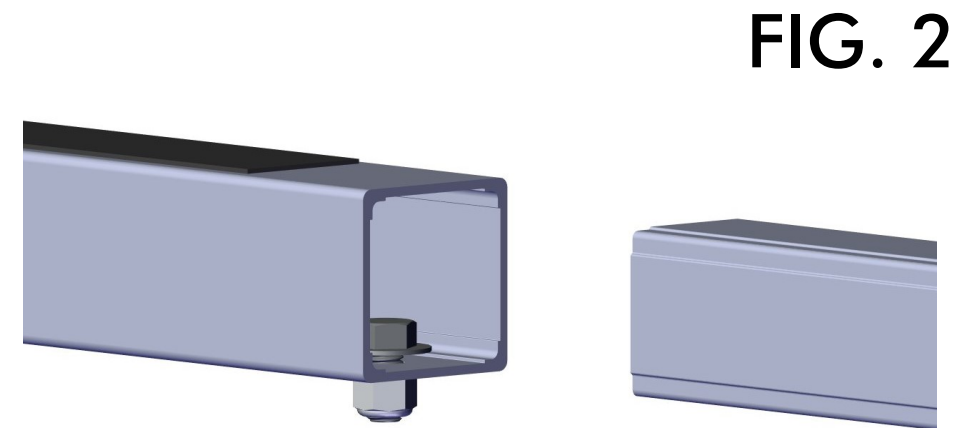
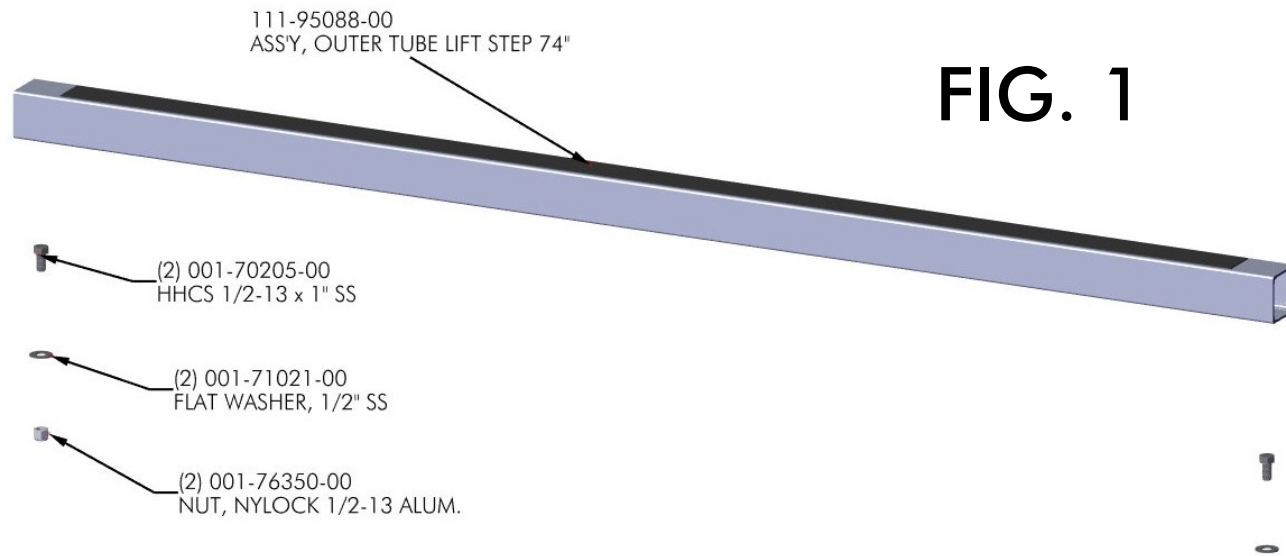
5000 PONTOON LIFT STEP EXPLODED/BOM



STEP, 5000 PONTOON BOAT LIFT			
P/N 511-95074-00			
<u>NO.</u>	<u>PART NUMBER</u>	<u>QTY.</u>	<u>DESCRIPTION</u>
1	001-70205-00	2	HHCS, 1/2-13 x 1" 18-8 SS
2	001-71021-00	2	FLAT WASHER, 1/2" 18-8 SS
3	001-73834-00	2	BHCS, 1/2-13 x 1" 18-8 SS
4	001-76072-00	2	NUT, NYLOCK 1/2-13 ALUM.
5	111-95088-00	1	ASS'Y, OUTER TUBE LIFT STEP 74"
6	111-95103-00	1	WELD'T, LIFT STEP SUPPORT "A"
7	111-95104-00	1	WELD'T LIFT STEP SUPPORT "B"

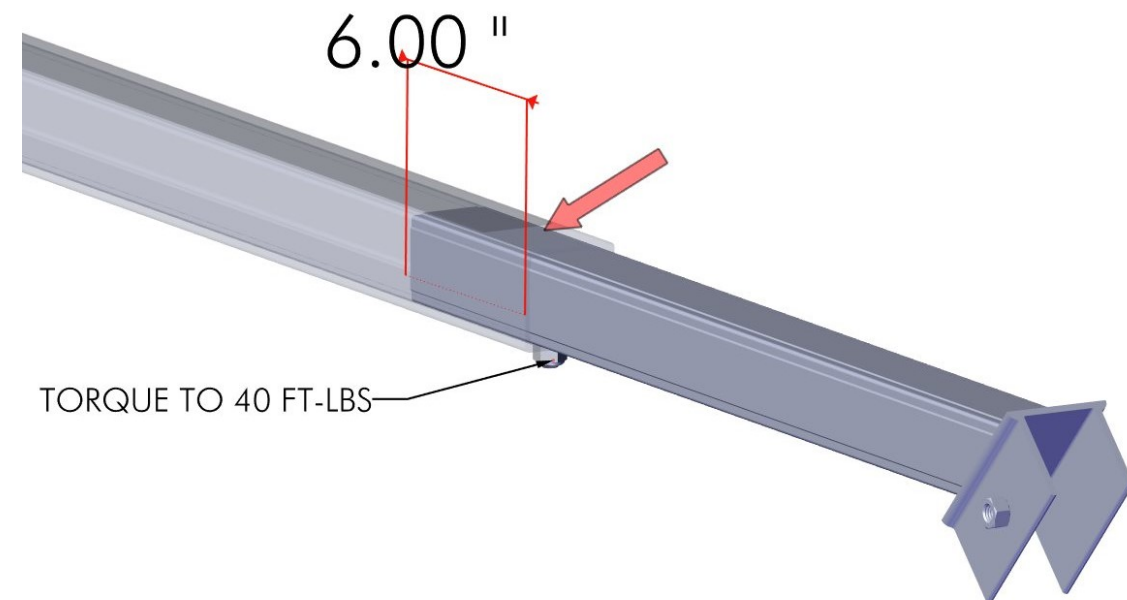
STEP 1

ASSEMBLE FASTENERS (FIG.1) AND ALIGN TO JOIN INNER AND OUTER SUPPORT BRACKETS (FIG. 2).



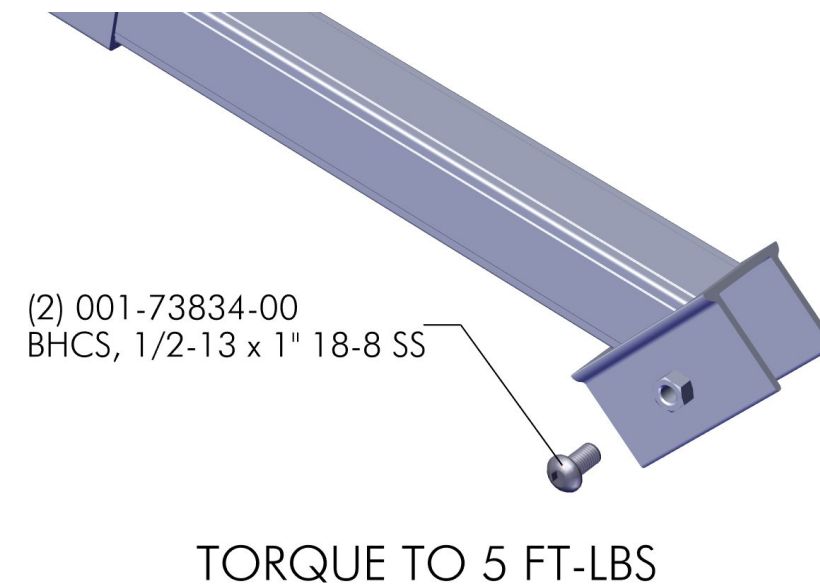
STEP 2

INSERT INNER SUPPORT BRACKETS WHILE ACCOUNTING FOR **A MINIMUM OF SIX INCHES** OF OVERLAP. TORQUE OUTER FASTENERS TO 40 FT-LBS.



STEP 3

INSERT 1/2-13 x 1" BUTTON BOLTS IN EACH END BRACKET. TIGHTEN WHEN DESIRED LOCATION OF LIFT STEP IS ACHIEVED ON LIFT. TORQUE TO 5 FT-LBS.



DOCKS & LIFTS

