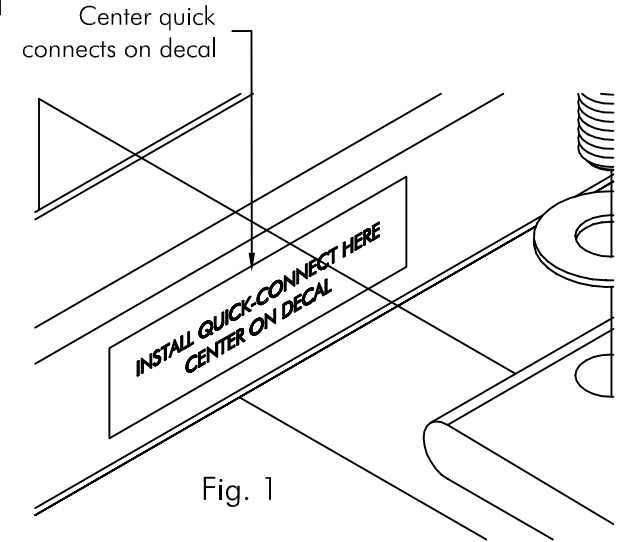
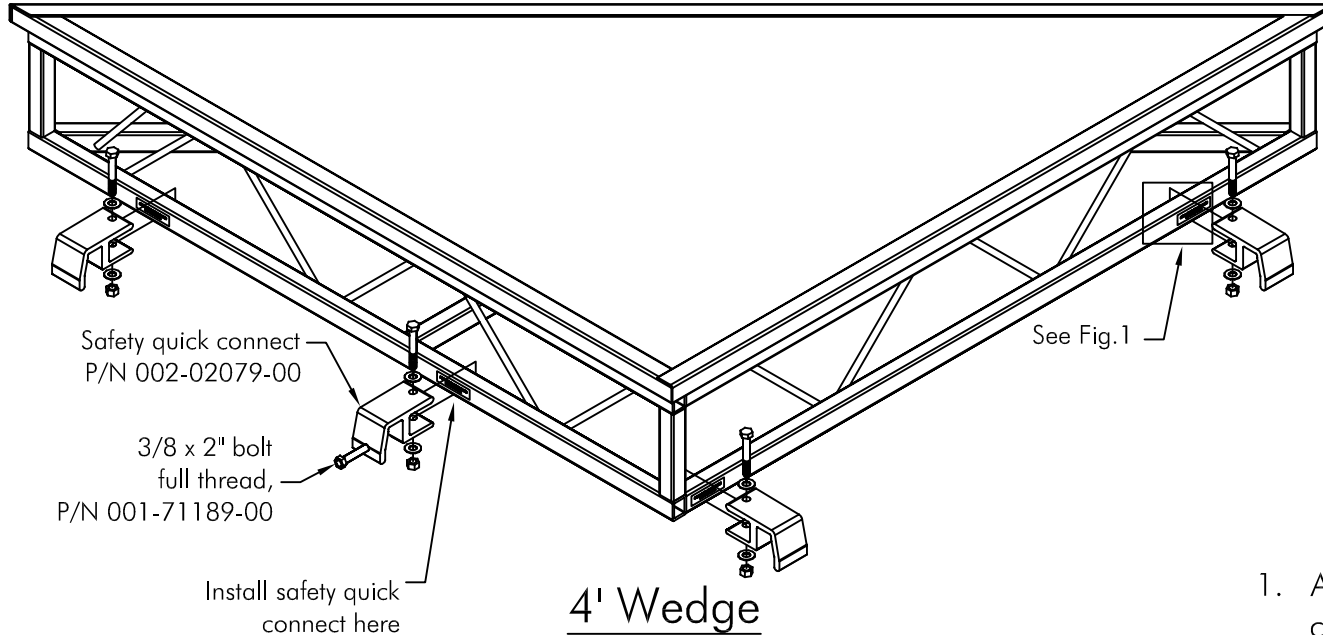


FLOE Dock Wedge

2' and 4' Wedge Assembly Instructions



1. Attach quick connects as shown. Center quick connects on the locating decals attached to the wedge using the 2 1/2" bolt, nuts and flat washers provided. Note the location of the safety quick connect on each wedge.

2. 4' wedges use (3) regular quick connects and (1) safety quick connect. 2' wedges use (2) regular quick connects and (1) safety quick connect.

3. Place wedge in corner of (2) dock sections with quick connects supporting wedge. Screw 3/8" x 2" safety bolt in safety quick connect under the dock frame to lock wedge in place.

