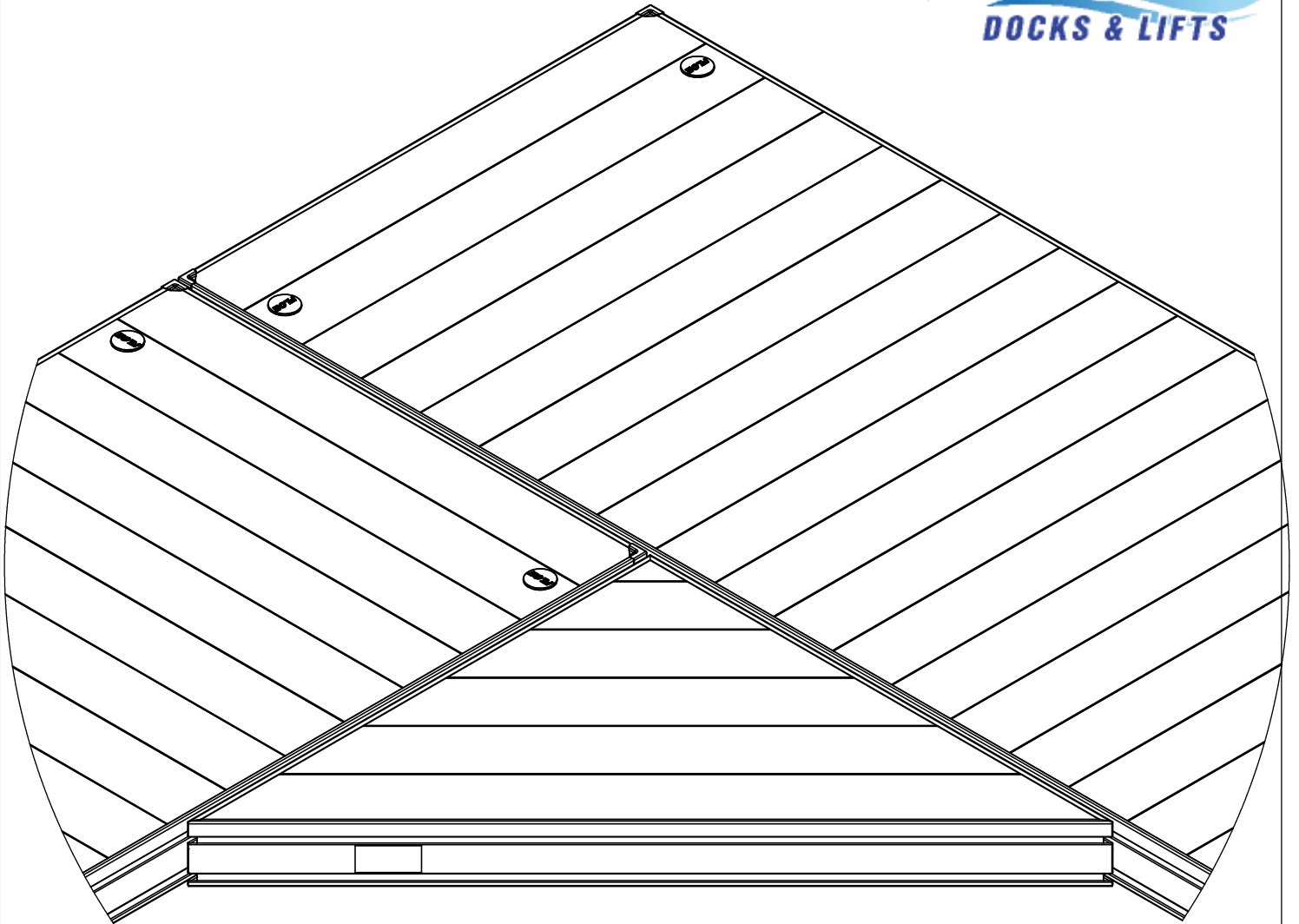


# FLOE QUICK ATTACH SECTIONAL WEDGE ASSEMBLY INSTRUCTIONS

P/N's 510-02566-00 & 510-02567-00

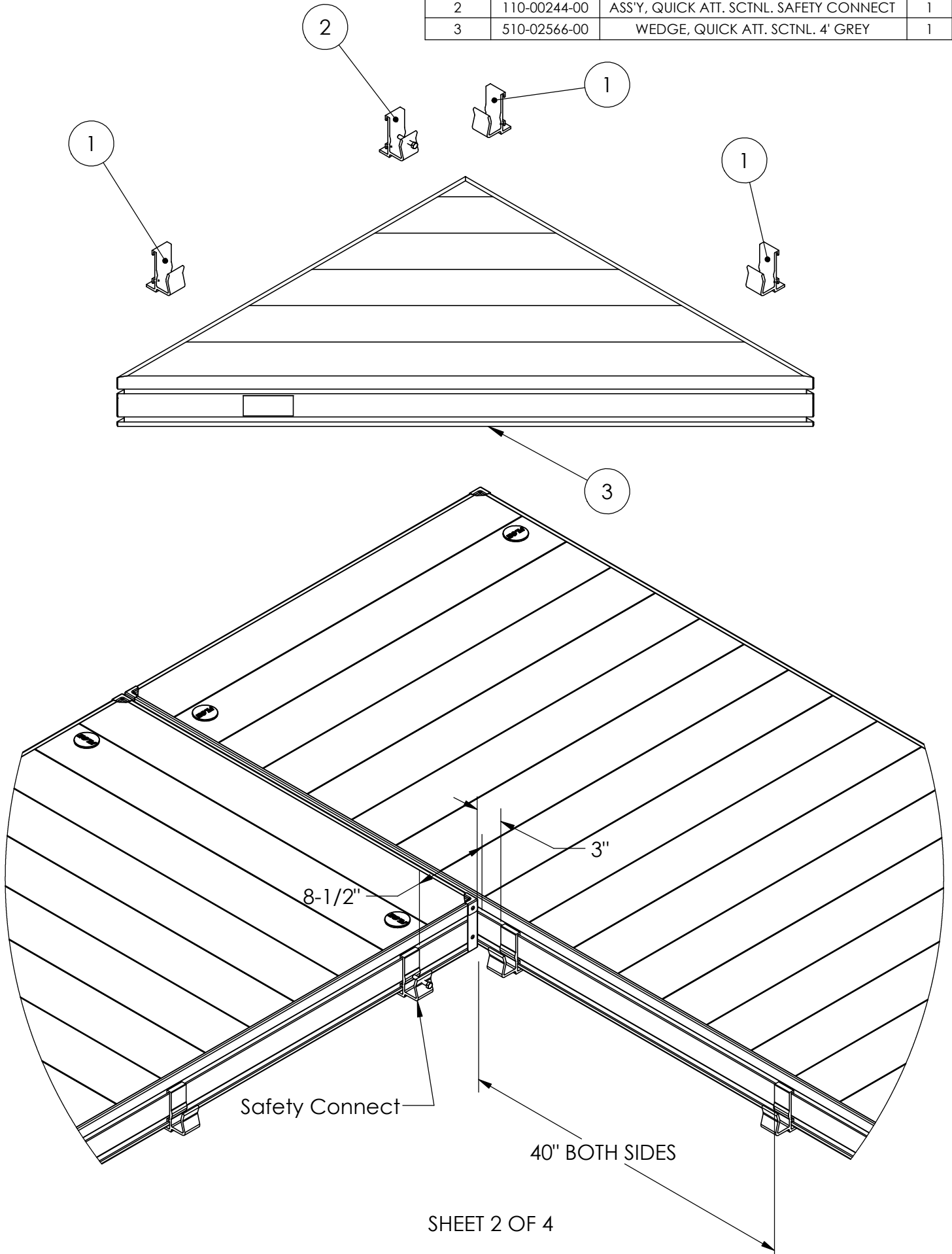


**TOOLS REQUIRED**  
- 7/32" ALLEN WRENCH  
- TAPE MEASURE

INSTRUCTION P/N 610-02566-00  
ISSUED 7/31/2018

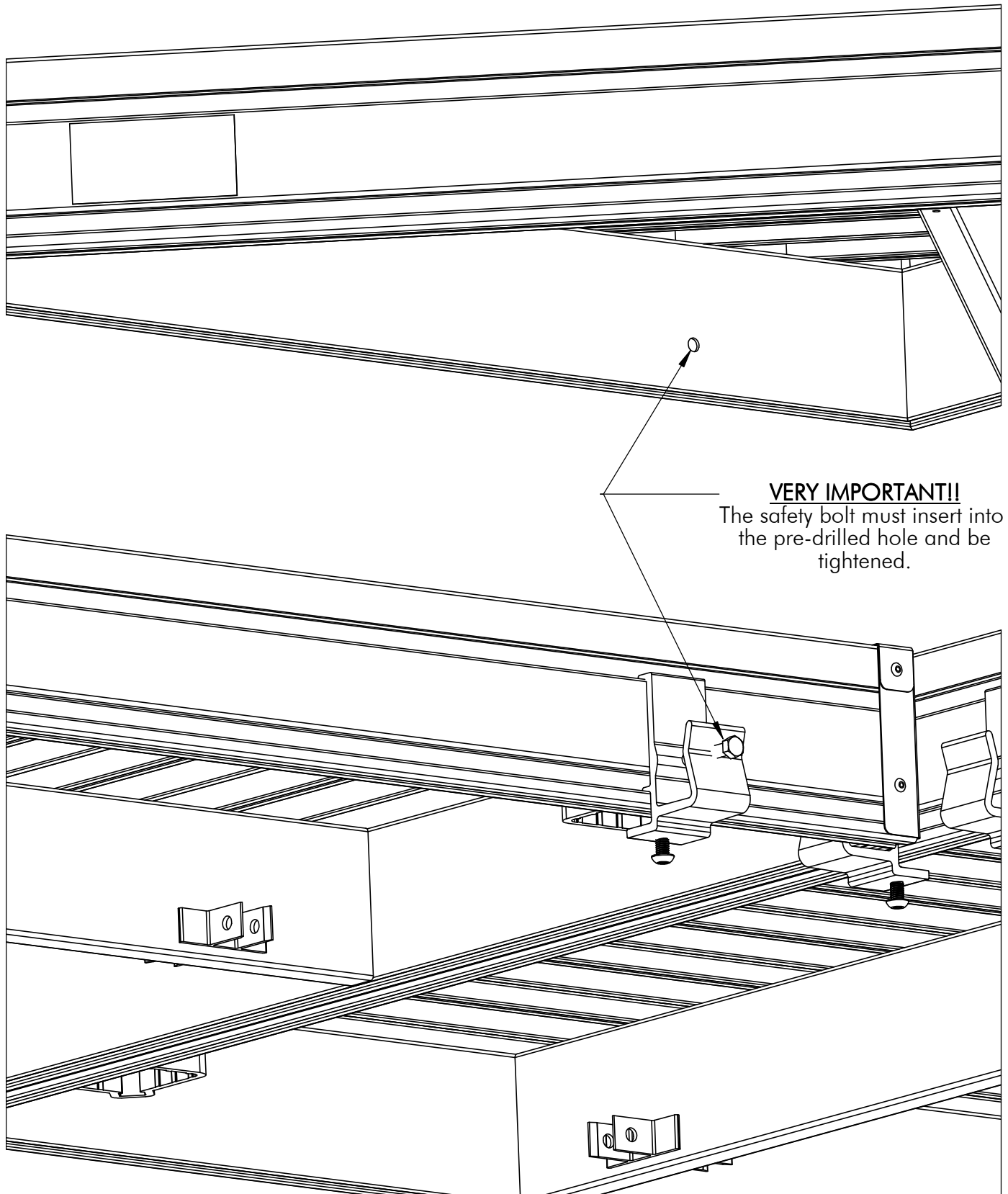
© Manufactured by:  
Floe International Inc.  
48473 State Hwy. 65  
McGregor, MN 55760  
[www.floeintl.com](http://www.floeintl.com)

ITEM NO.	PART NUMBER	DESCRIPTION	QTY.
1	110-00109-00	ASS'Y, QUICK ATT. SCTNL. DOCK CONN. BRKT.	3
2	110-00244-00	ASS'Y, QUICK ATT. SCTNL. SAFETY CONNECT	1
3	510-02566-00	WEDGE, QUICK ATT. SCTNL. 4' GREY	1



## STEP 2

Lower the wedge into the connects. It may be necessary to adjust the Safety Connect slightly to insure the safety bolt inserts into the pre-drilled hole.



### STEP 3

Tighten the button head cap crew on the Safety Connect until the lower flange begins to deform. Re-check all the fasteners to insure that they are tight.

