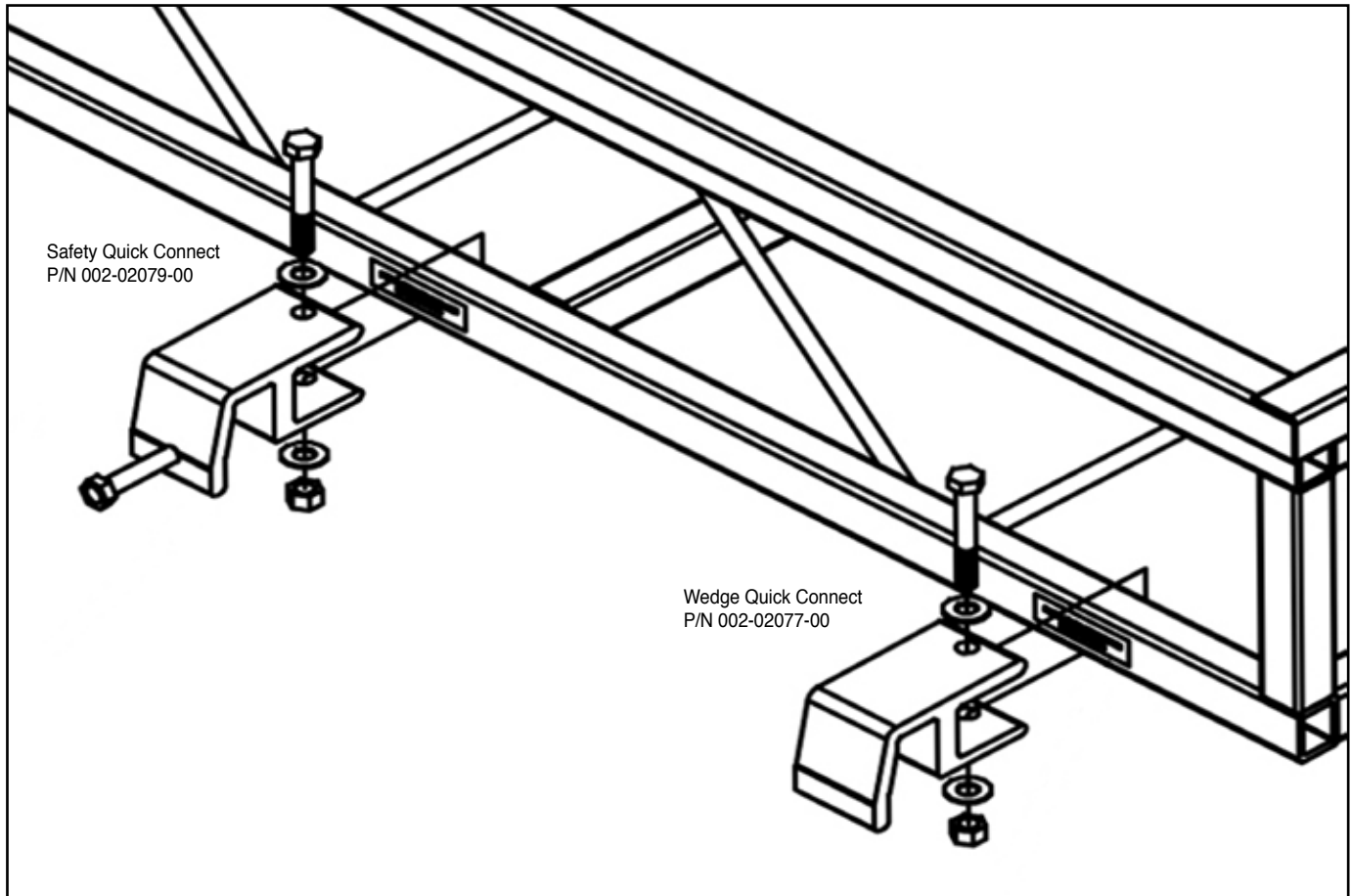
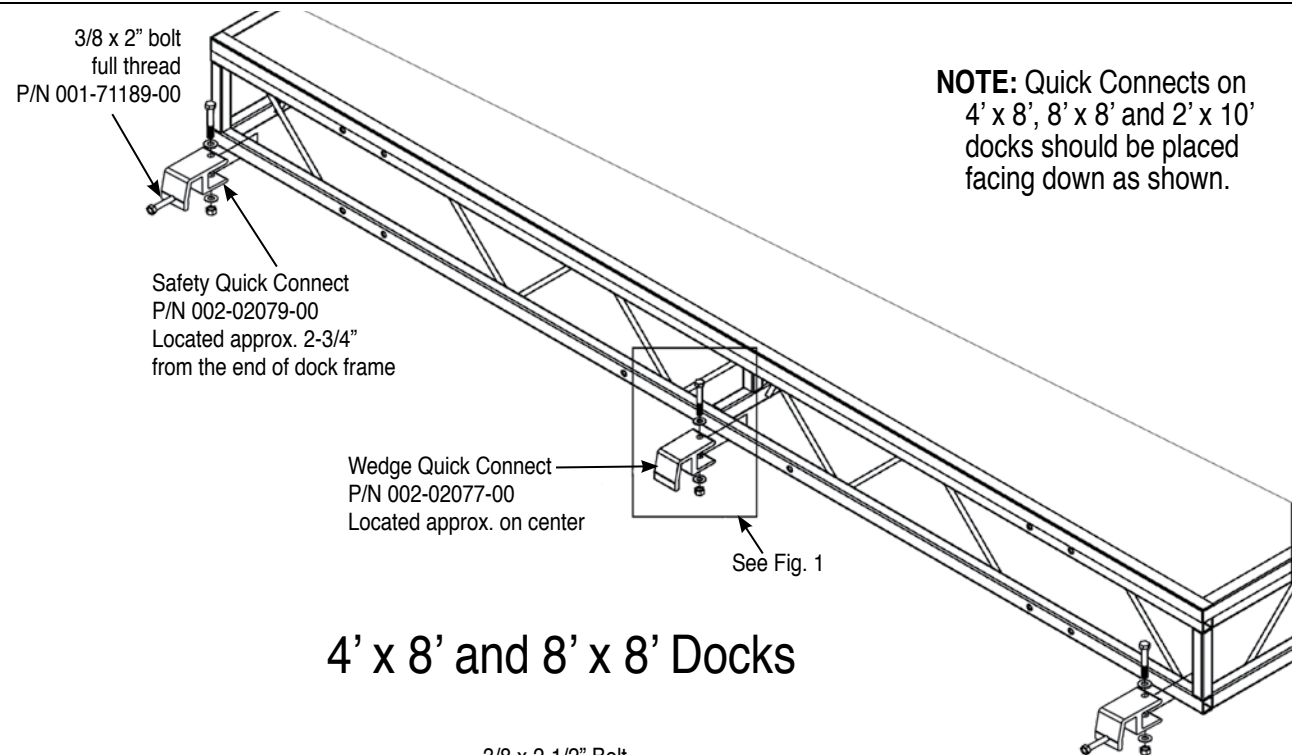


# SAFETY QUICK CONNECT

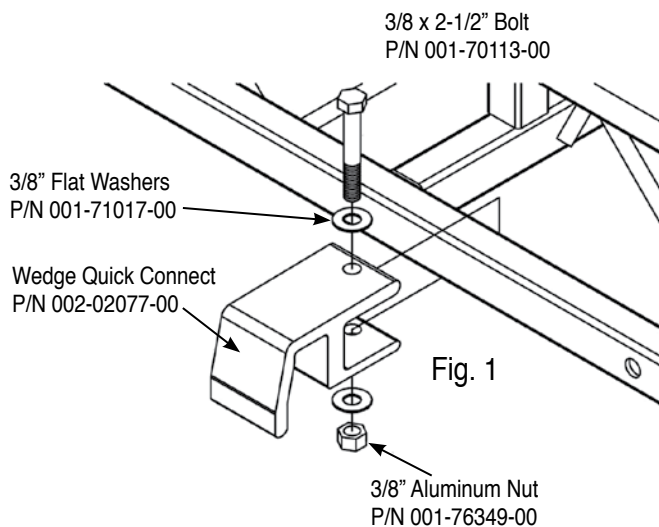
## ASSEMBLY INSTRUCTIONS

4' x 8', 8' x 8' and 2' x 10' Docks





## 4' x 8' and 8' x 8' Docks



- Attach quick connects as shown. Center Quick Connects on decals on the 2' x 10' docks. Attach using the 2-1/2" bolt, nut, and flat washer provided.

- Note: The 2' x 10' Dock uses (2) Safety Quick Connects only. The 4' x 8 and 8' x 8' uses (2) Safety Quick Connects, and (1) Wedge Quick Connect.

- Position Quick Connect so it doesn't interfere with webbing on docks.

- Slide Quick Connect to widest portion of dock until it hits upright and move back 1/8" so it isn't touching the webbing.

- Square Quick Connects to dock frame before tightening 2-1/2" bolt for ease of fit to next section.

## 2' x 10' Dock

