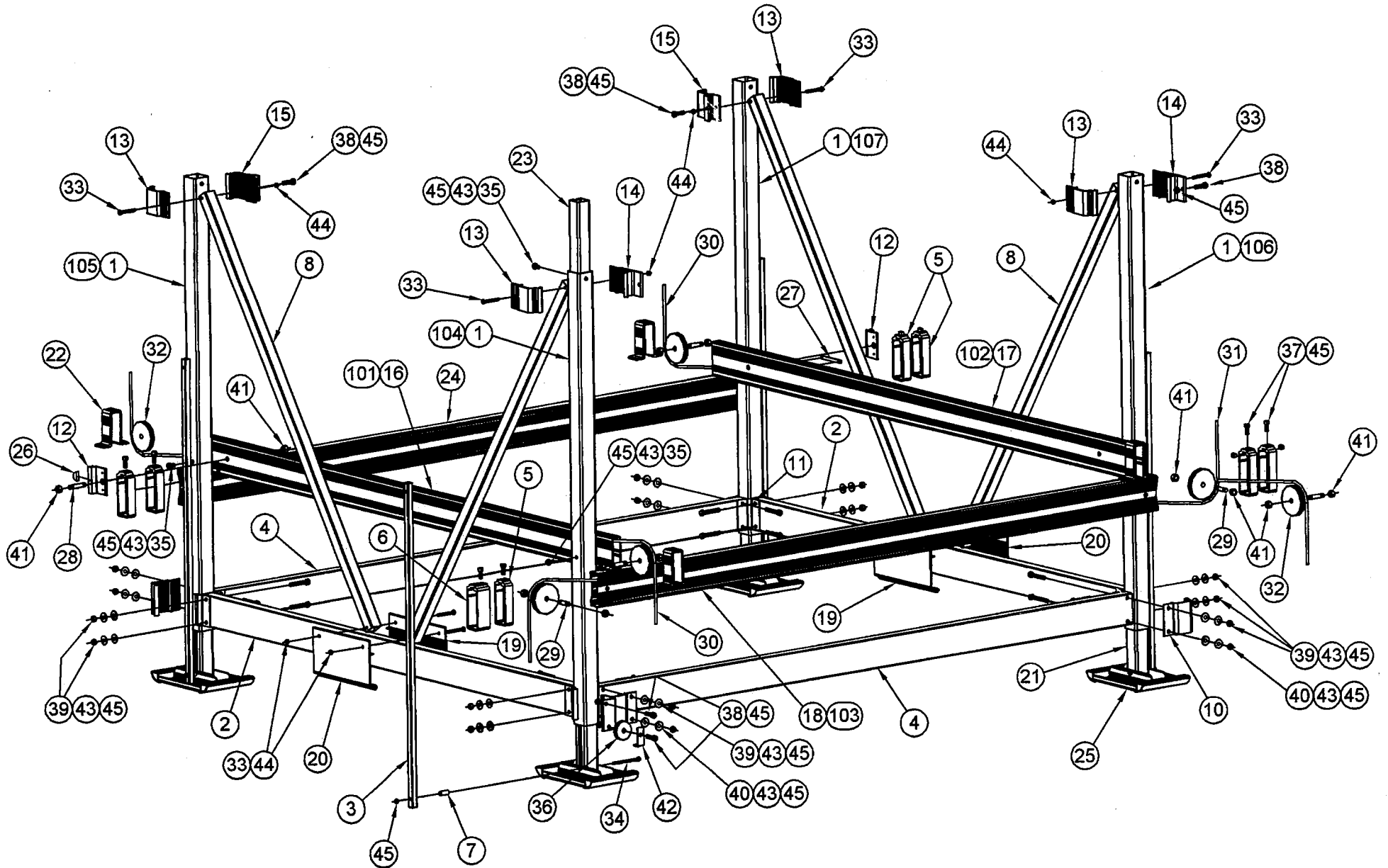


# VP-3000 EXPLODED VIEW

LIFT P/N 511-20005-00

FLOE INTERNATIONAL INC.



# VP-3000 EXPLODED VIEW

LIFT P/N 511-20005-00

FLOE INTERNATIONAL INC.




NO.	PART NO.	QTY.	DESCRIPTION
1	002-04005-00	4	CORNER POST 74" (.125)
2	002-04012-00	2	SIDE FRAME BEAM 96" (.100)
3	002-04013-00	4	LIFTING HANDLE (SAND PAD)
4	002-04074-00	2	F/R FRAME BEAM 116" (.100)
5	002-04015-00	7	CRADLE CLAMP 1.5"
6	002-04017-00	1	CRADLE LIFT CLAMP 2.5"
7	002-04019-00	4	LIFTING HANDLE STAND OFF
8	002-04022-00	4	V-BRACE 77"
9	002-04085-00	1	FRAME BEAM WINCH CLAMP
10	002-04082-00	3	FRAME BEAM CLAMP (OUTER)
11	002-04083-00	4	FRAME BEAM CLAMP (INNER)
12	002-04031-00	4	CRADLE GUIDE
13	002-04034-00	4	UPPER CLAMP 1
14	002-04036-00	2	UPPER CLAMP 3
15	002-04038-00	2	UPPER CLAMP 2
16	002-04040-00	1	SIDE CRADLE (RIGHT) 109"
17	002-04042-00	1	SIDE CRADLE (LEFT) 109"
18	002-04043-00	1	FRONT CRADLE BEAM 121" (.125)
19	002-04064-00	2	V-BRACE CLAMP (FEMALE)
20	002-04066-00	2	V-BRACE CLAMP (MALE)
21	002-04067-00	4	ADJUSTABLE LEG 54"(.100)
22	911-00301-00	4	CRADLE U-CLAMP 2.125"
23	911-04201-00	1	ADJUSTABLE LEG 38" (.125")
24	911-07303-00	1	REAR CRADLE BEAM 121" (.090)
25	111-00000-00	4	SAND PAD
26	006-10202-00	4	CRADLE GUIDE WEAR PAD
27	006-11001-00	4	LEXAN - 3/16" x 1/2" x 5" LG.
28	007-05600-00	4	5/8 SIDE CRADLE SHEAVE PIN - 3.20"
29	007-05800-00	2	5/8 END CRADLE SHEAVE PIN - 2.25"
30	007-09000-00	2	SIDE LEVELING CABLE - 166.875"
31	007-09300-00	1	FRONT LEVELING CABLE - 200 1/2"
32	111-00106-00	6	5" SHEAVE W/BUSHING
33	001-70115-00	8	HHCS, 3/8-16 x 3" ss 18-8
34	001-70224-00	4	HHCS, 1/2-13 x 5 1/2" ss 18-8
35	001-70203-00	5	HHCS, 1/2-13 x 3/4" ss 18-8
36	007-06201-00	1	3" CLAMP SHEAVE
37	001-70207-00	8	HHCS, 1/2-13 x 1 1/4" ss 18-8
38	001-70210-00	5	HHCS, 1/2-13 x 1 3/4" ss 18-8
39	001-70216-00	14	HHCS, 1/2-13 x 3 1/4" ss 18-8
40	001-70219-00	2	HHCS, 1/2-13 x 4" ss 18-8
41	001-70816-00	12	NUT, JAM 5/8-11 ss 18-8
42	002-04140-00	1	CABLE HOLDER
43	001-71022-00	37	1/2" FLAT WASHER USS ss 18-8
44	001-76349-00	8	NUT, 3/8-16 ALUM.
45	001-76350-00	37	NUT, 1/2-13 ALUM.

## SUB-ASSEMBLIES

101	111-00045-00	...	SIDE CRADLE ASSEMBLY (RIGHT) INCLUDES ITEMS 12,16,26,27,28,32,41
102	111-00046-00	...	SIDE CRADLE ASSEMBLY (LEFT) INCLUDES ITEMS 12,17,26,27,28,32,41
103	111-00157-00	...	FRONT CRADLE ASSEMBLY (.125) INCLUDES ITEMS 18,29,32,41
104	111-00079-00	...	V3000 CORNER POST ASSY (RF) INCLUDES ITEMS 1,8,9,13,14,21,23, 33,35,43,44 & 45
105	111-00080-00	...	V3000 CORNER POST ASSY (RR) INCLUDES ITEMS 1,8,10,13,15,21,33, 35,43,44 & 45
106	111-00081-00	...	V3000 CORNER POST ASSY (LF) INCLUDES ITEMS 1,8,10,13,14,21,33, 35,43,44 & 45
107	111-00082-00	...	V3000 CORNER POST ASSY (LR) INCLUDES ITEMS 1,8,10,13,15,21,33, 35,43,44 & 45



## STEP 1

-  Loosen leg adjustment bolts on corner posts and slide inner legs out approx. 10 inches. (Re-tighten)
-  Attach sand pads and adjustable leg handles with  $\frac{1}{2} \times 5 \frac{1}{2}$ " bolts & nuts. The stand-off tube slides into the large hole in the leg handle. Fig 1E. Torque to 25 ft lbs.
-  Arrange corner posts as shown on the left.

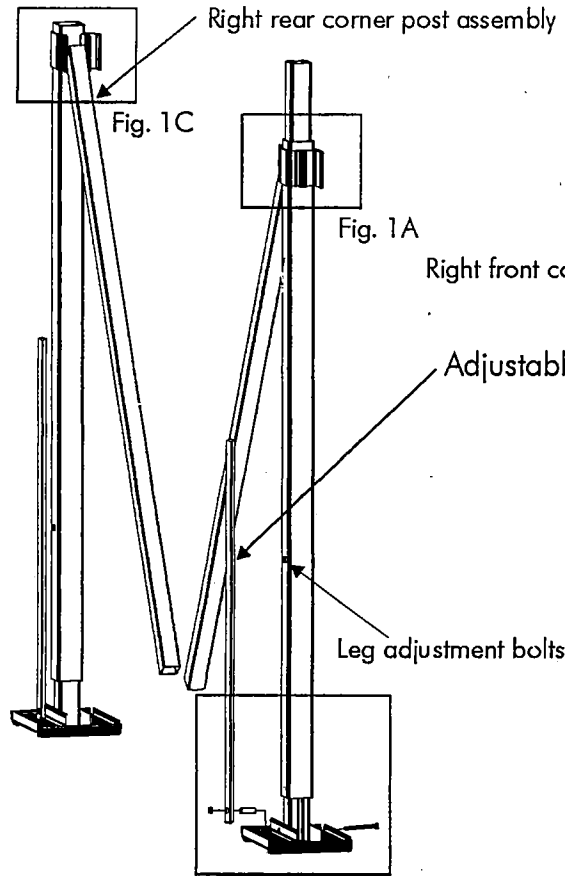
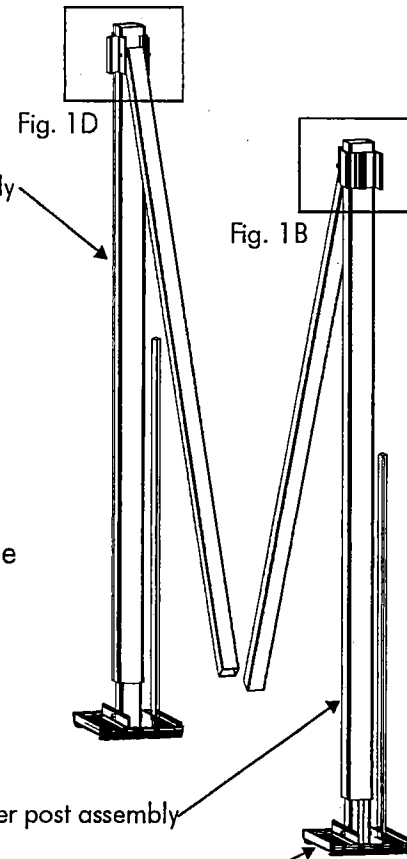


Fig. 1E

Left rear corner post assembly



Sand pad

**Important:**  
When installing the sand pads and adjustable leg handles, the head of the bolt must be on the inside of the lift.

Left front corner post assembly

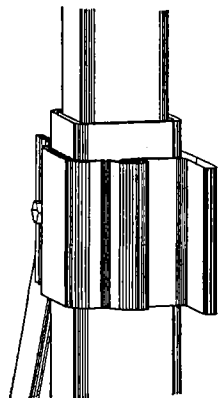


Fig. 1A

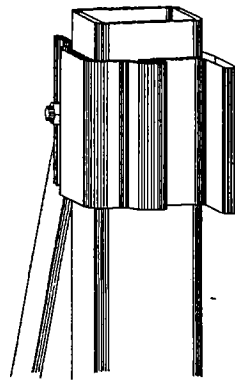


Fig. 1B

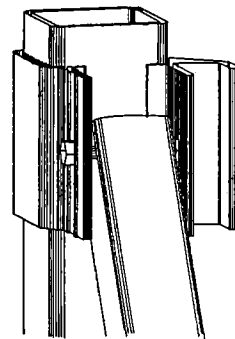


Fig. 1C

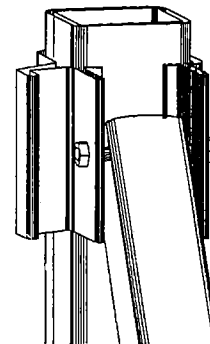


Fig. 1D

Note the difference in the upper clamps. See Fig. 1A, 1B, 1C and 1D.

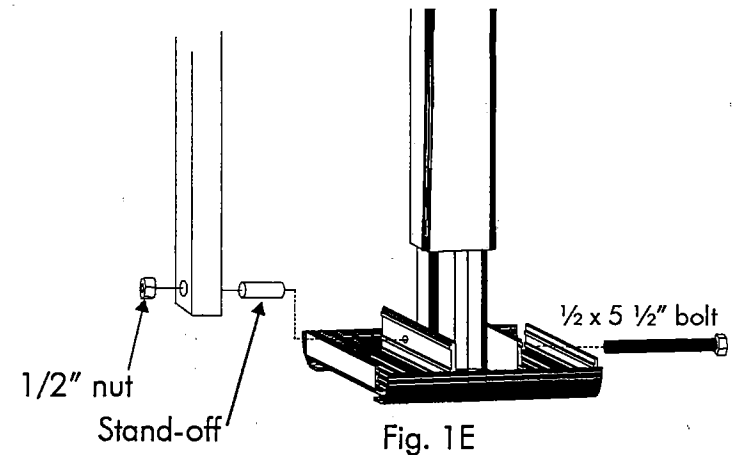
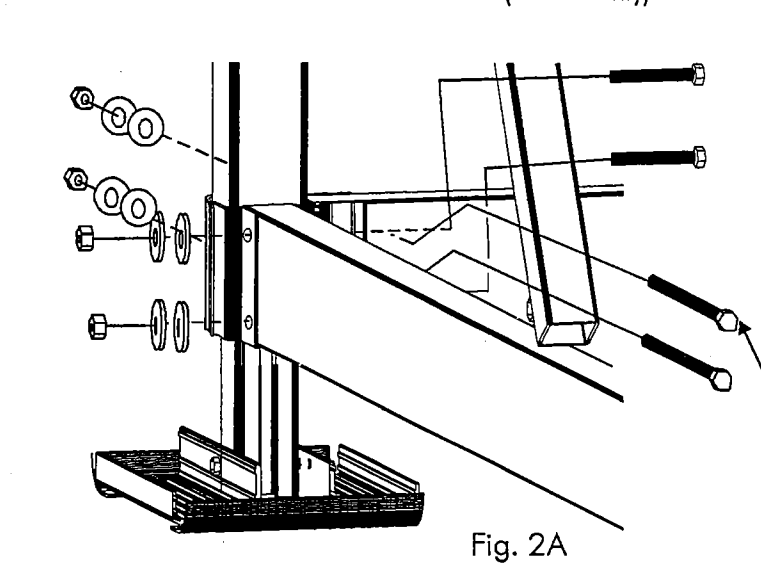
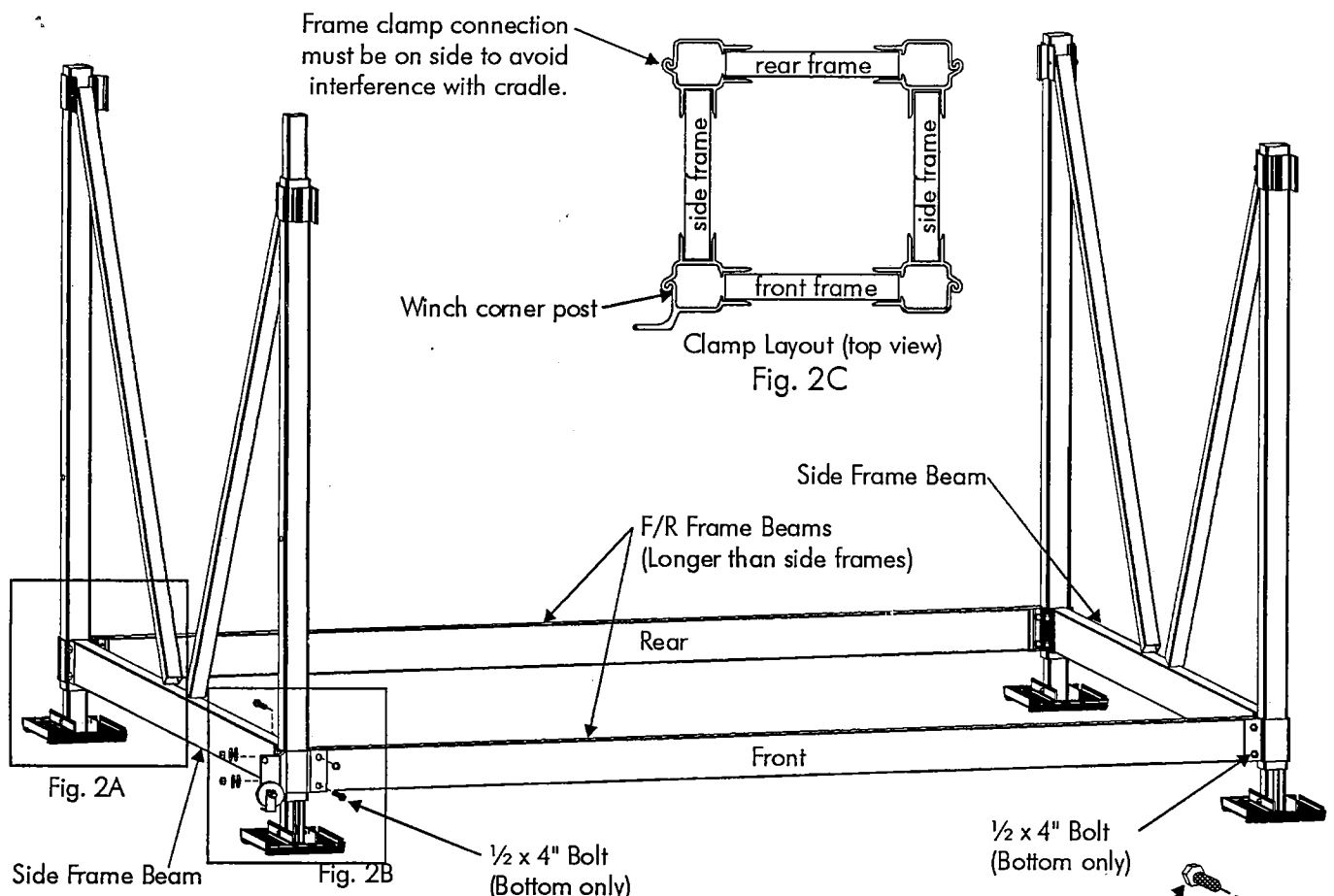


Fig. 1E



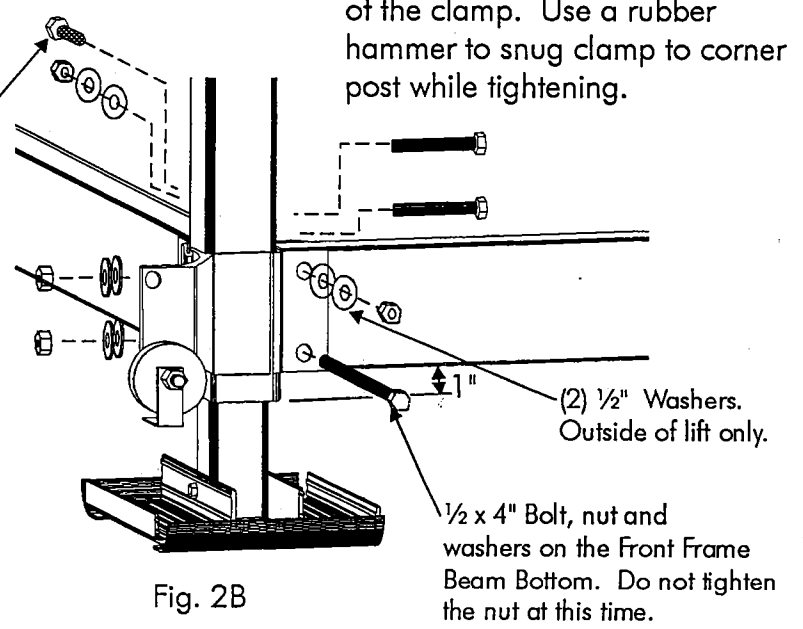
## STEP 2

- Frame beams are attached to the corner posts using the frame clamps as shown in Fig. 2A and 2B. Note the clamp layout in Fig. 2C. Attach the front and rear frame beams first. The clamps must be 1" from the bottom of all corner posts. See Fig. 2B.
- To help keep the frame square while assembling, gradually tighten each bolt a little at a time and alternating between each side of the clamp. Use a rubber hammer to snug clamp to corner post while tightening.



$\frac{1}{2} \times 3 \frac{1}{4}$ " Bolt on the front is installed from the inside of the lift to the outside.  
**Torque to 100 ft lbs**

$\frac{1}{2} \times 3 \frac{1}{4}$ " Bolts, washers and nuts.  
**Torque to 100 ft lbs**



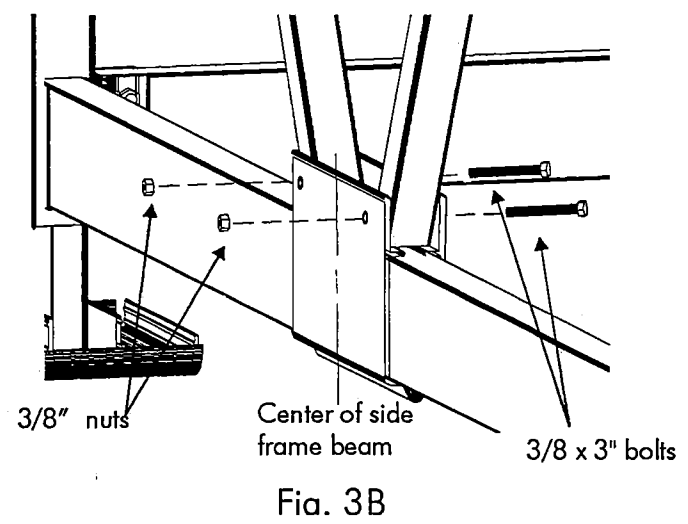
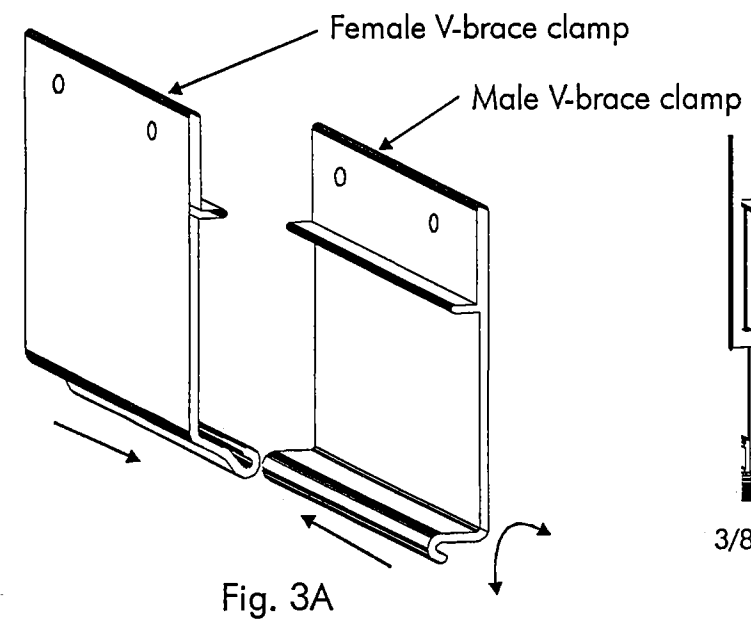
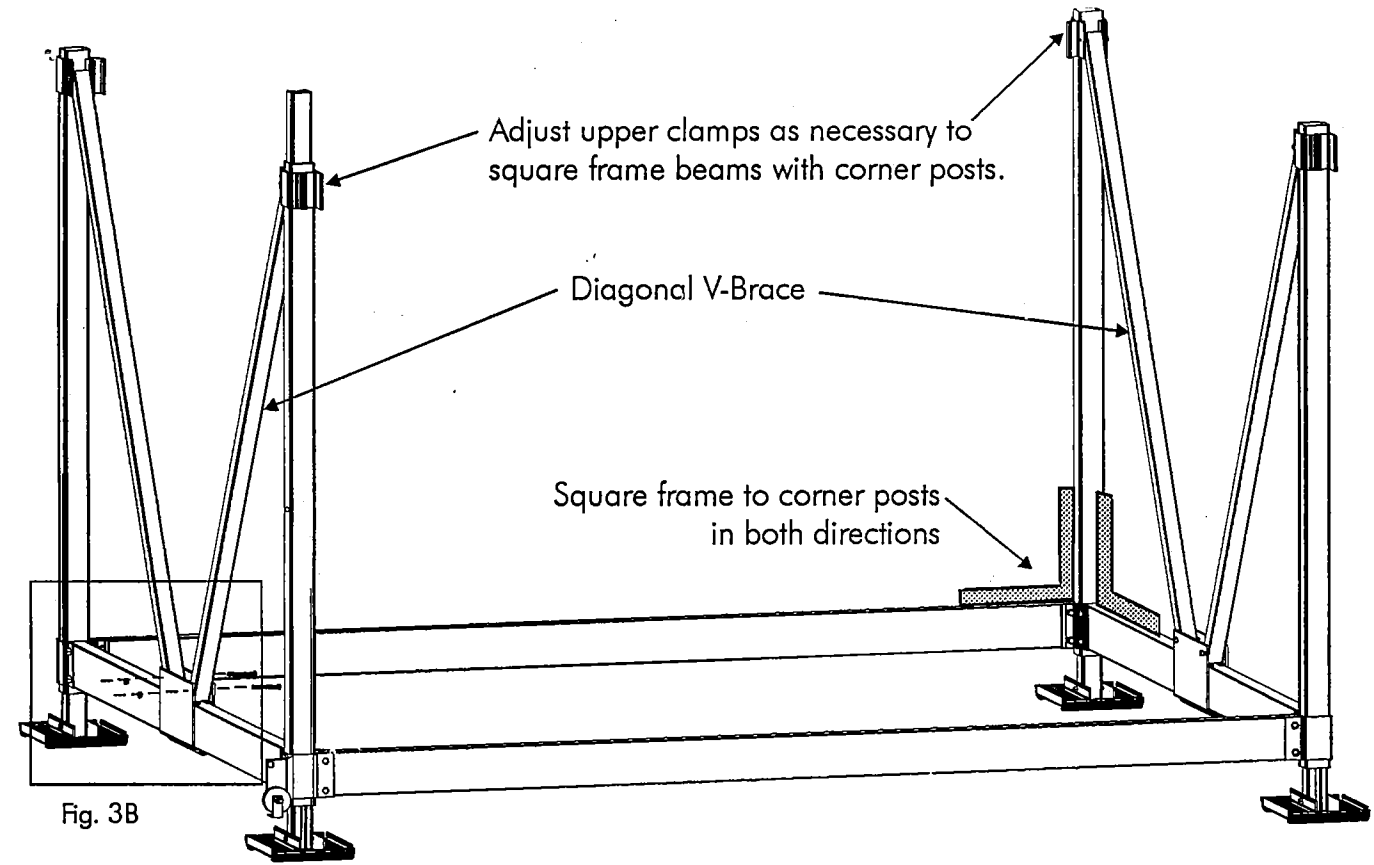
$\frac{1}{2} \times 4$ " Bolt, nut and washers on the Front Frame Beam Bottom. Do not tighten the nut at this time.

(2)  $\frac{1}{2}$ " Washers. Outside of lift only.



### STEP 3

- Slide the two v-brace clamps together and center on the Side Frame Beam. See Fig. 3A.
- Attach diagonal v-braces to v-brace clamp as shown in fig. 3B.
- Square frames to corner posts by adjusting the upper clamps.
- Fasten v-braces and v-clamps with 3/8 x 3" bolts and nuts. Torque to 40 ft lbs





## STEP 4

- Front and side cradles must be placed as shown. Front cradle has a cable that runs over the pulley on the winch side, the side cradles have a cable hole on the top rear.
- Cradle beams are joined as shown below. See Fig 4A, 4B and 4C. Allow 1/4" between the side cradle and corner posts. See Fig. 4B.
- Torque to 100 ft lbs**

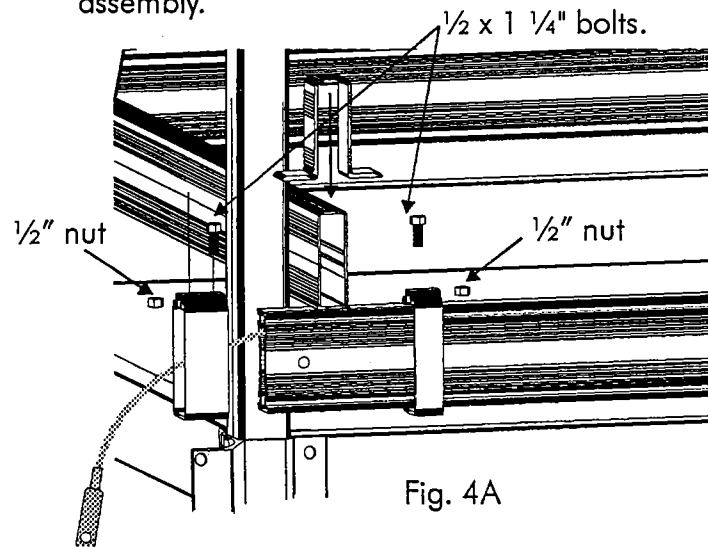
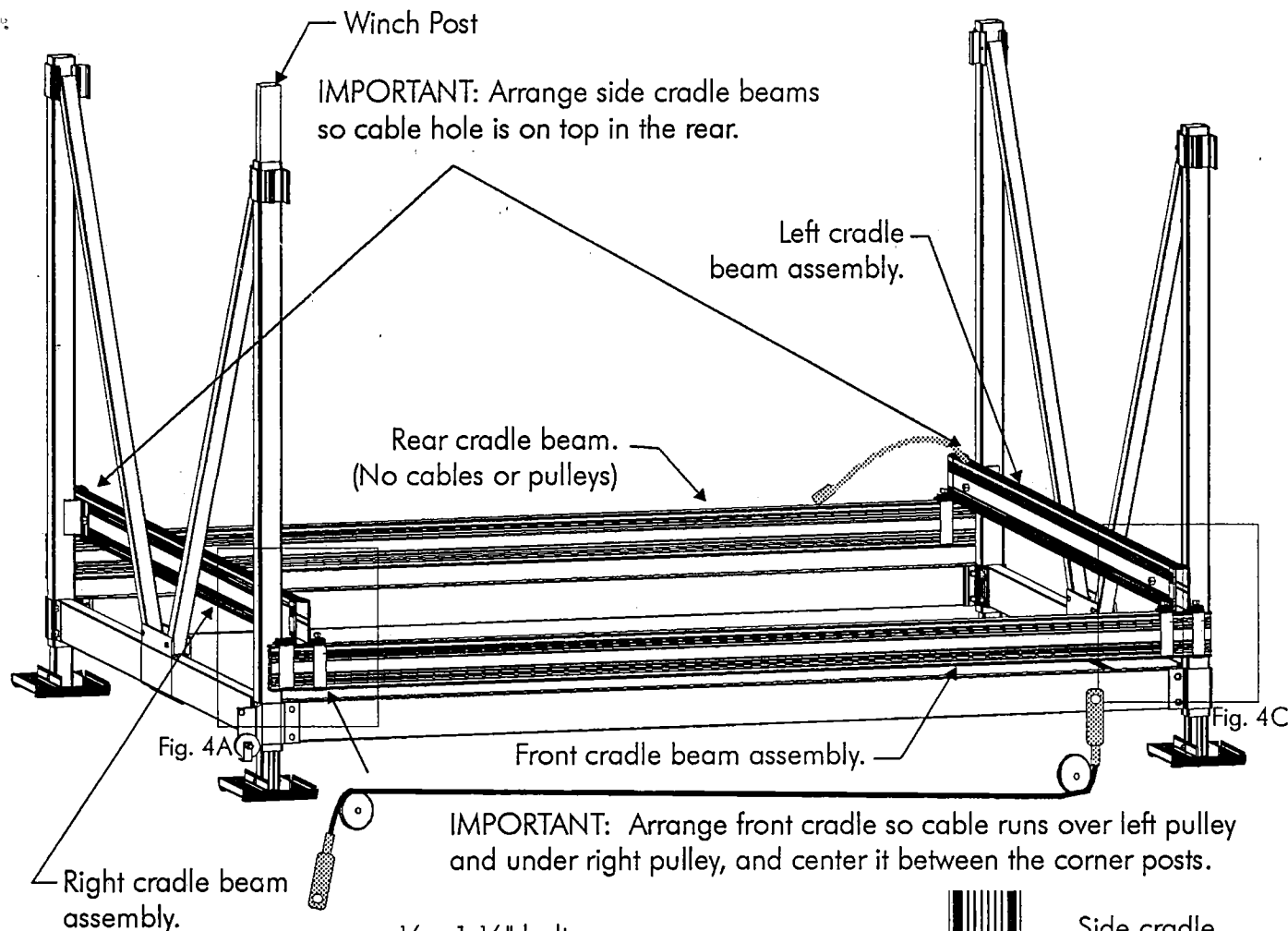


Fig. 4A

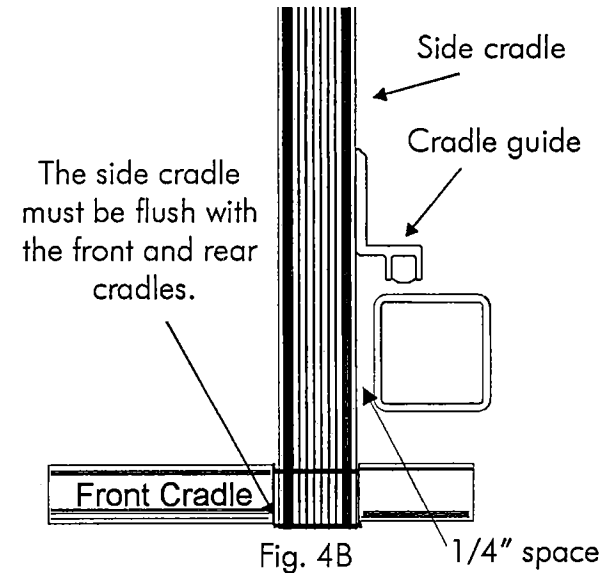


Fig. 4B

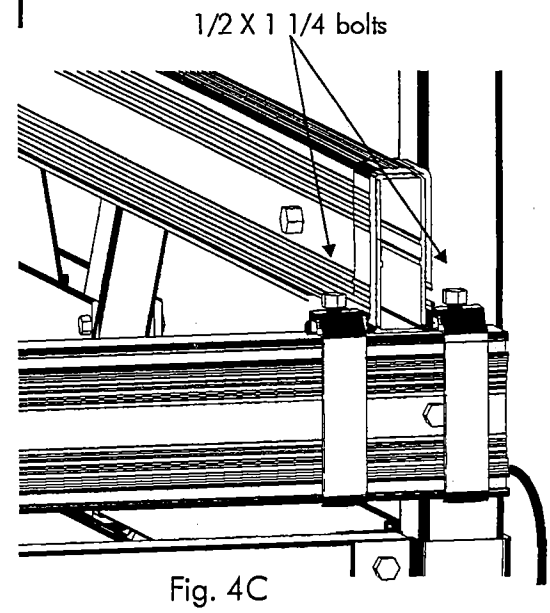
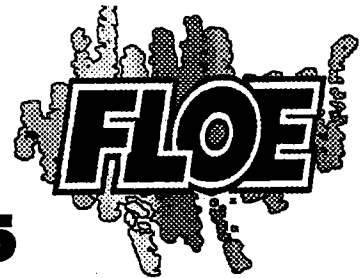
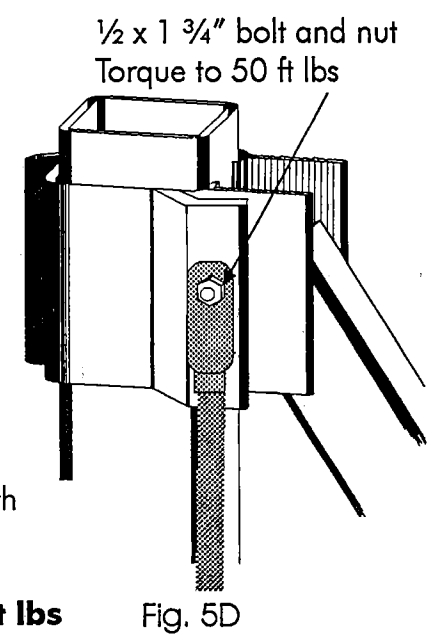
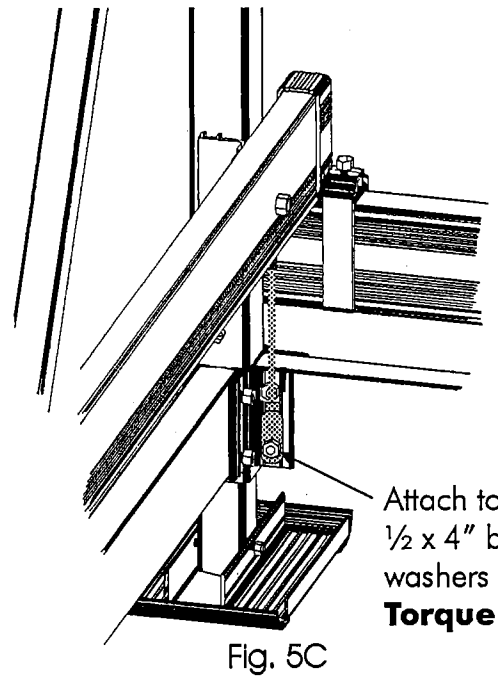
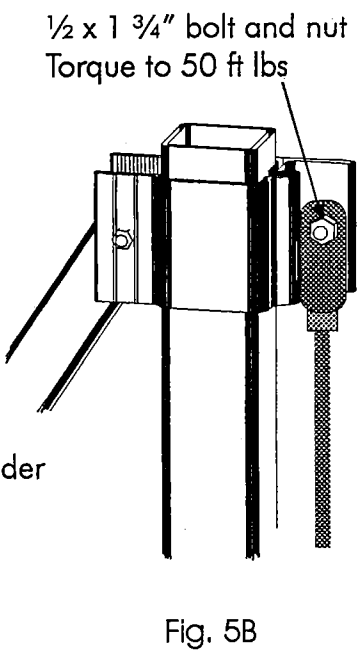
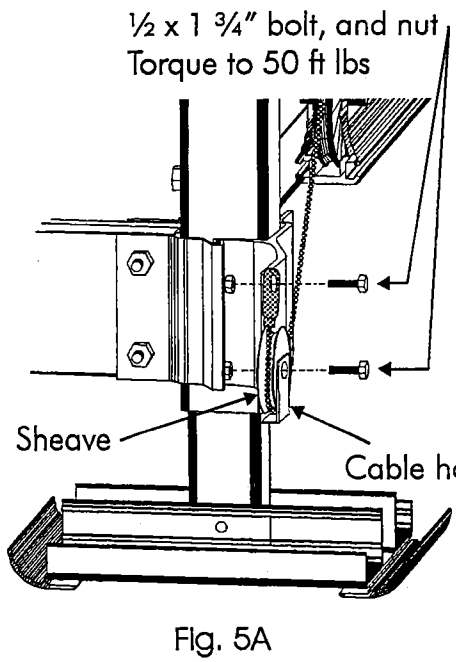
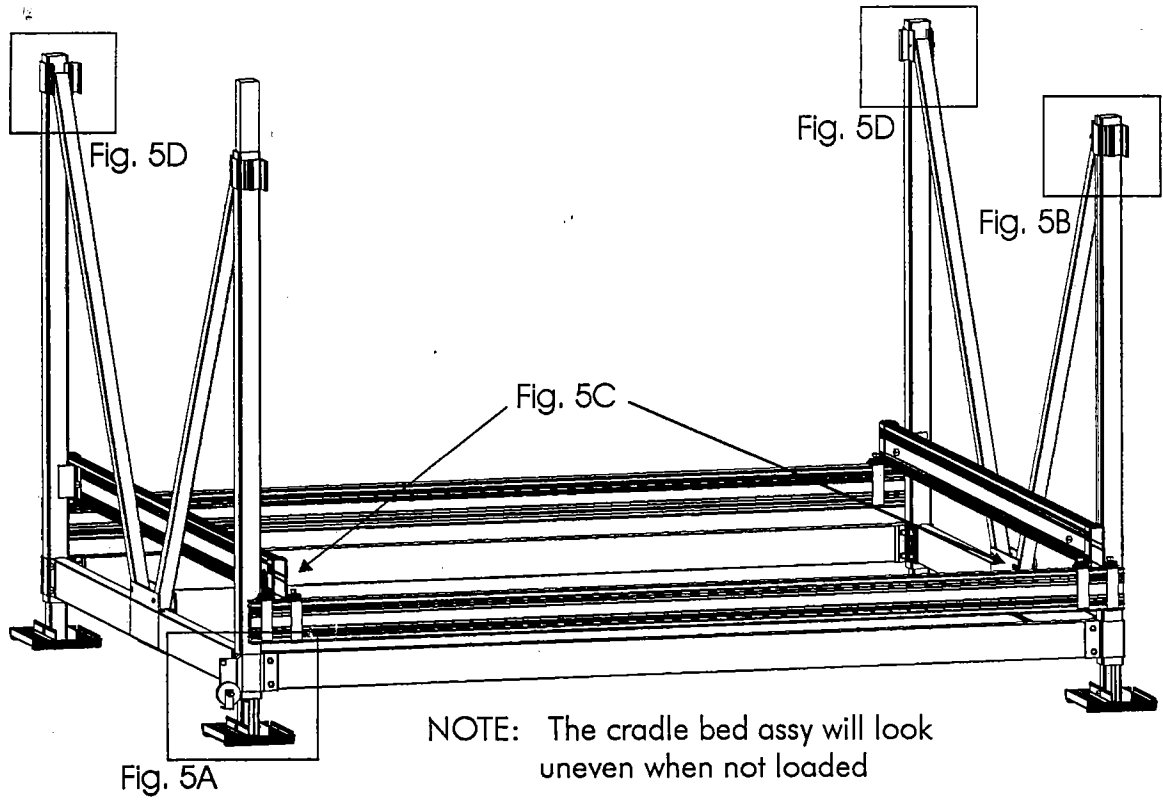


Fig. 4C



## STEP 5

- Remove the cable holder and insert cable into groove on the sheave. Reattach the cable holder and sheave to clamp. Wrap the cable around sheave and attach to the clamp with a  $\frac{1}{2} \times 1 \frac{3}{4}$ " bolt and nut. Re-attach round sheave and secure cable with cable holder. See Fig. 5A.
- Attach the other end of the cable by lifting the opposite side of the front cradle and fastening with a  $\frac{1}{2} \times 1 \frac{3}{4}$ " bolt and nut. See Fig. 5B
- Fasten the side cables to the lower frame clamps as shown in Fig. 5C. Check front corner posts for squareness before tightening. Attach the other end of the cable to the rear upper clamps by lifting up the rear cradle. See Fig. 5D.





## STEP 6

- Slide winch over winch mount and run lifting cable as shown in Fig. 6A and 6B.
- Remove the lower pulley stud and install winch cable as shown in Fig. 6B.
- Attach eye bolt to the cradle lift clamp. Torque jam nut to 50 ft lbs. See Fig. 6B.
- Place lower pulley stud thru the eye bolt and re-assemble the pulley. Torque to 50 ft lbs. See Fig. 6B.

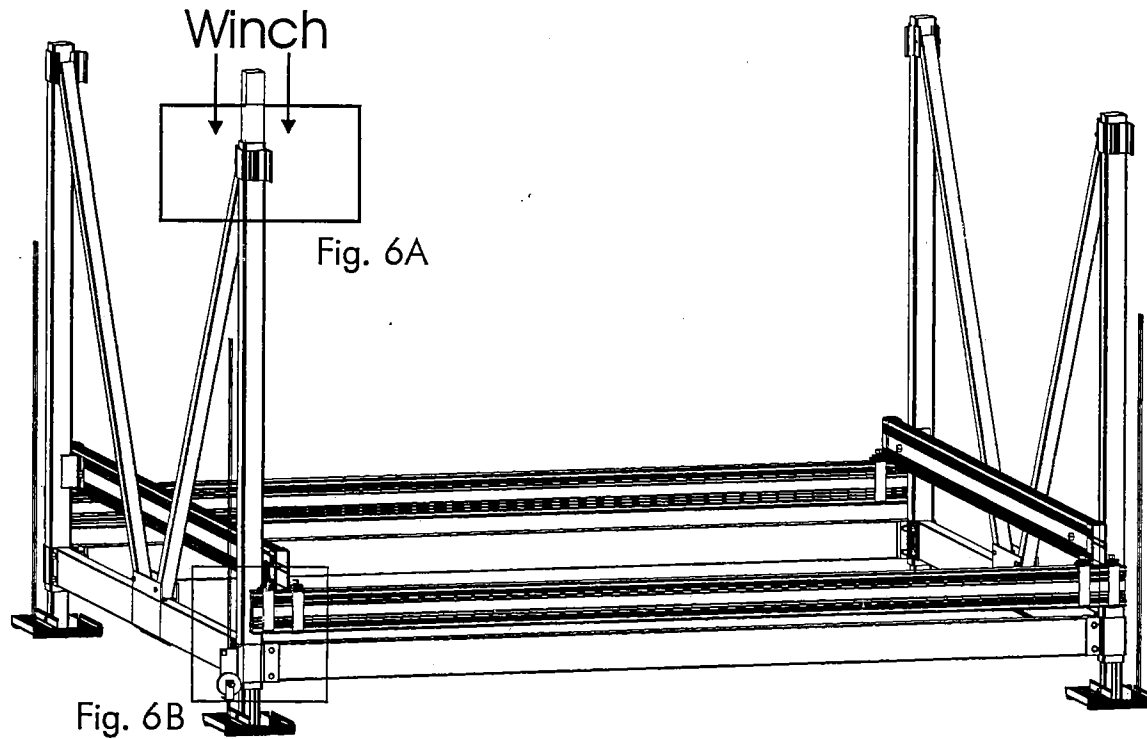


Fig. 6A

Fig. 6B

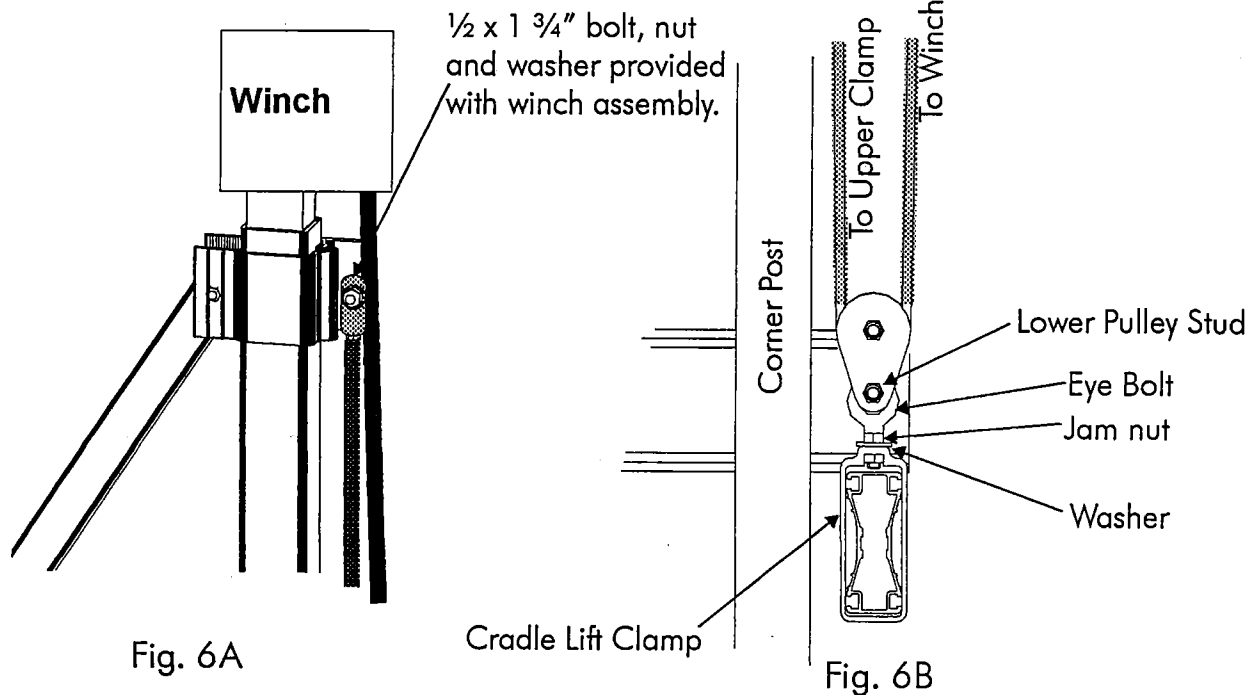


Fig. 6A

Fig. 6B