

FLOE BOAT LIFT WHEEL KIT (WELDED)

2-5000

ASSEMBLY INSTRUCTIONS

KIT P/N 211-05150-00



TOOLS REQUIRED

- 9/16" SOCKET/WRENCH
- TORQUE WRENCH
- TAPE MEASURE

INSTRUCTION P/N: 611-05250-00 REV C
ISSUED: 4/9/19

© Manufactured by:
Floe International Inc.
48473 State Hwy. 65
McGregor, MN 55362
www.floeintl.com

FLOE BOAT LIFT WHEEL KIT (WELDED)

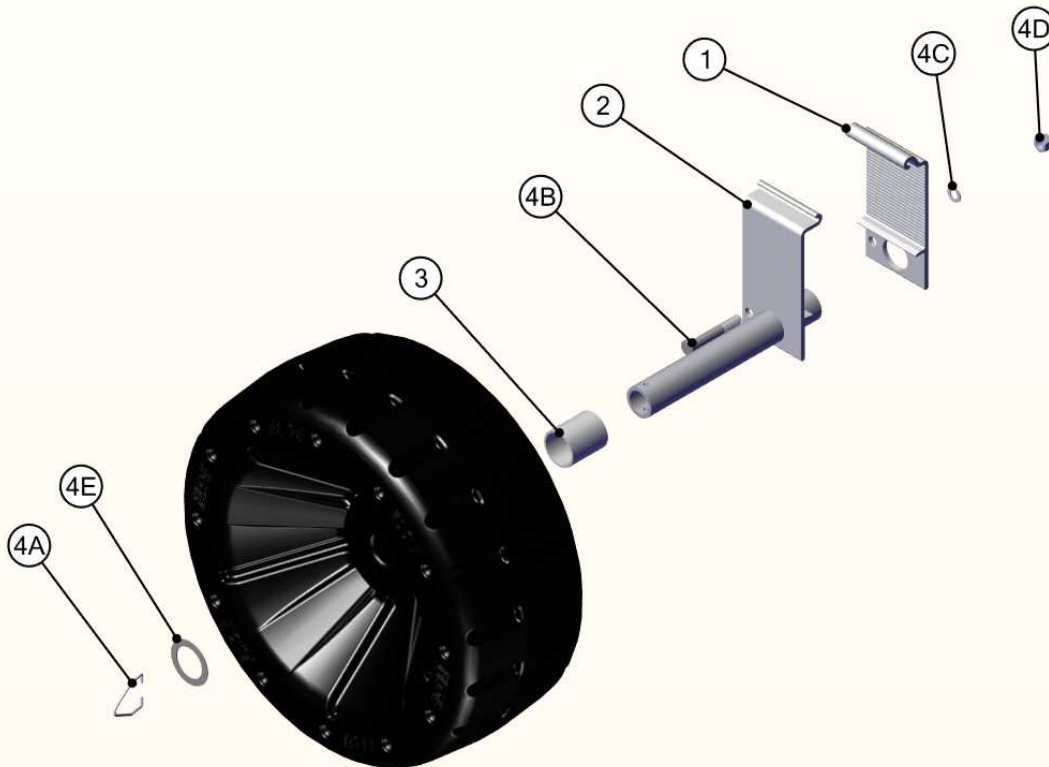
EXPLODED VIEW AND BOM

P/N 211-05150-00

ITEM	QTY	PART NUMBER	DESCRIPTION
1	2	002-04063-01	CLAMP, LIFT WHEEL KIT (F) - 4"
2	2	111-00453-00	WELD'T, LIFT WHEEL KIT (M) W/ SPINDLE
3	2	007-00006-00	SPACER, POLYETHYLENE-2.375"
4	1	511-04203-02	FASTENERS, BOAT LIFT WHL. KIT

FASTENER KIT

ITEM	QTY	PART NUMBER	DESCRIPTION
A	2	001-26728-00	CLIP, STAINLESS STEEL-SPINDLE
B	2	001-70217-00	HHCS, ½-13 x 3 ½" 18-8 SS
C	2	001-71023-00	FLAT WASHER, 0.5" I.D. x 0.875" O.D. SS
D	2	001-76072-00	NUT, NYLOCK ½-13 ALUM
E	2	010-00020-00	WASHER, 2.5" O.D. x 1.75" I.D.

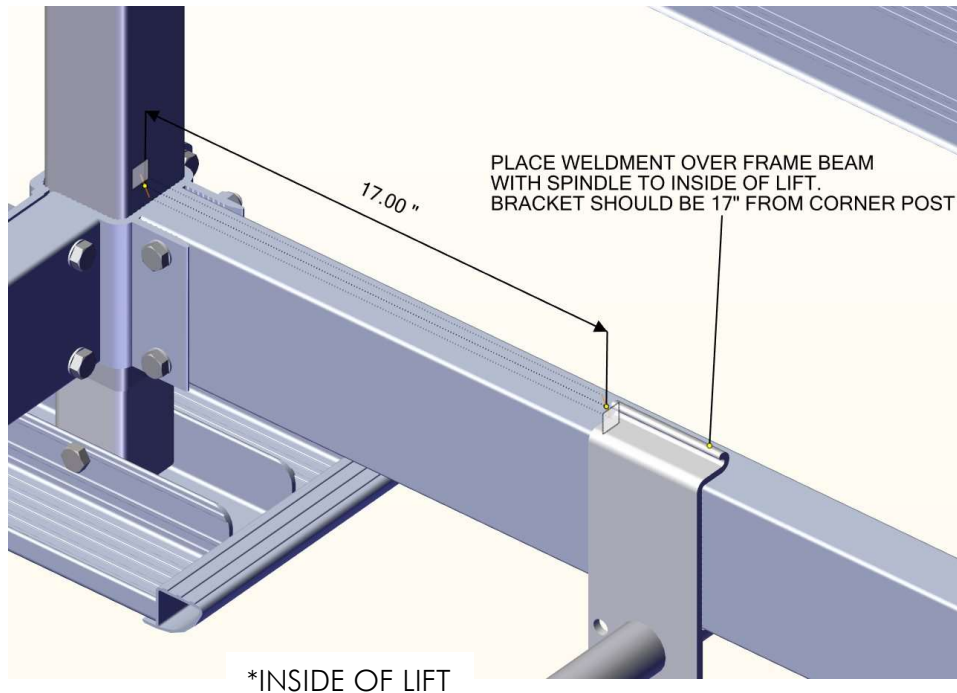


ASSEMBLY

STEP 1

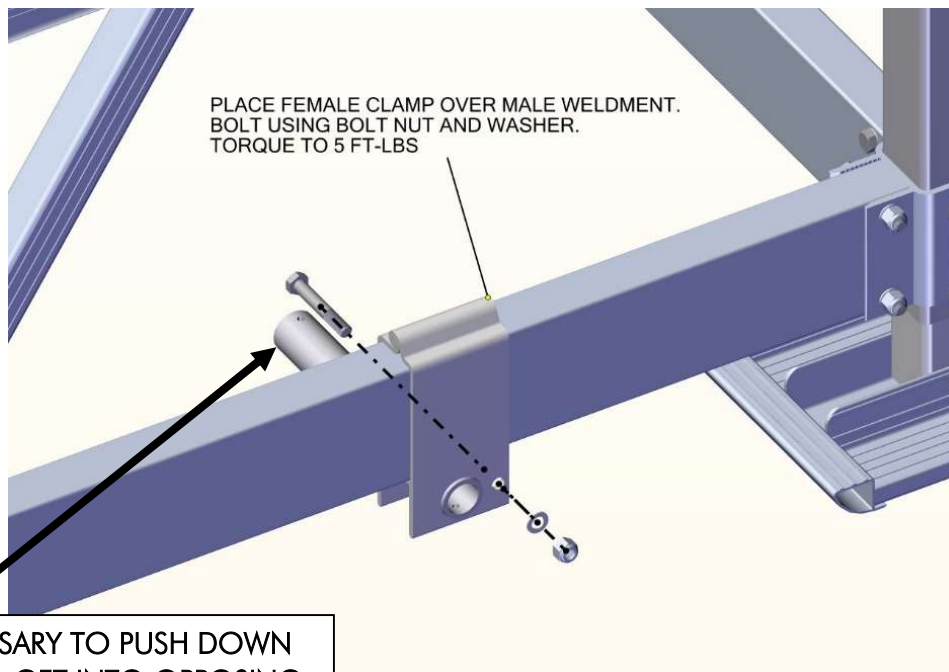
- BRACKET AND SPINDLE PLACEMENT

PLACE WELDMENT ON FRAME 17" FROM CORNER POST.



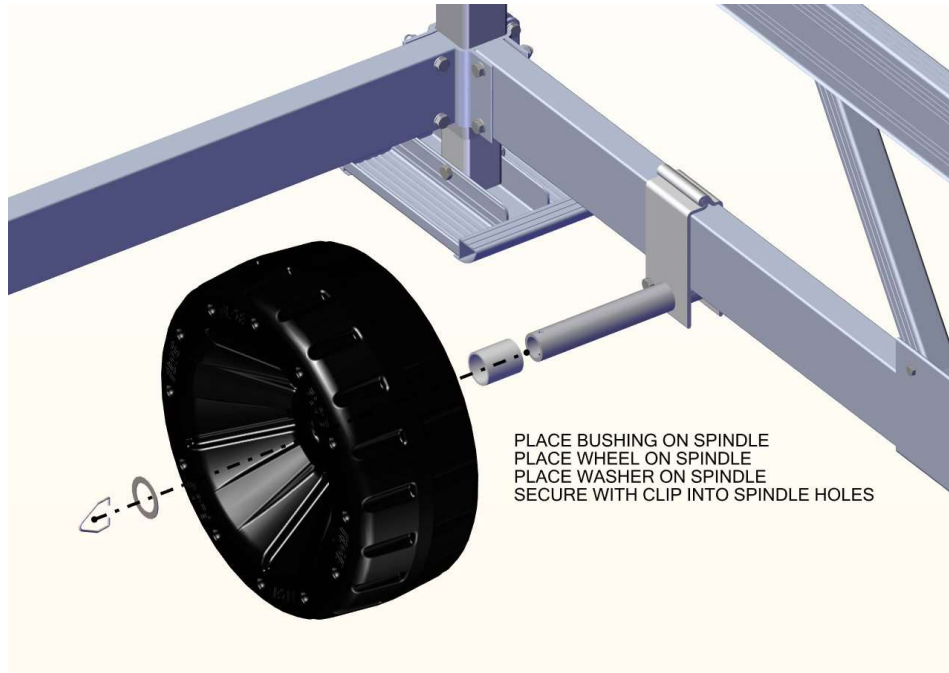
STEP 2

PLACE FEMALE CLAMP (002-40063-01) OVER MALE CLAMP. BOLT USING 1/2" BOLT, NUT, AND WASHER. TORQUE TO 5FT-LBS



STEP 3

PLACE BUSHING ONTO SPINDLE. PLACE WHEEL ONTO SPINDLE. PLACE WASHER ONTO SPINDLE. SECURE ASSEMBLY WITH CLIP INTO THE HOLES IN THE END OF THE SPINDLE.



STEP 4

REPEAT FOR STEPS 1-3 FOR REMAINING 3 WHEELS.