

FLOE WATER ACCESSORY CART



KIT -CART, WATER ACCESSORY

ASSEMBLY INSTRUCTIONS

P/N: 510-41571-00



TOOLS REQUIRED

- 9/16" SOCKET/WRENCH (2)
- 3/4" SOCKET/WRENCH (2)
- TORQUE WRENCH
- TAPE MEASURE

INSTRUCTION P/N: 610-41571-00

RELEASED: 4/17/18

© Manufactured by:
Floe International Inc.
48473 State Hwy. 65
McGregor, MN 55362
www.floeintl.com

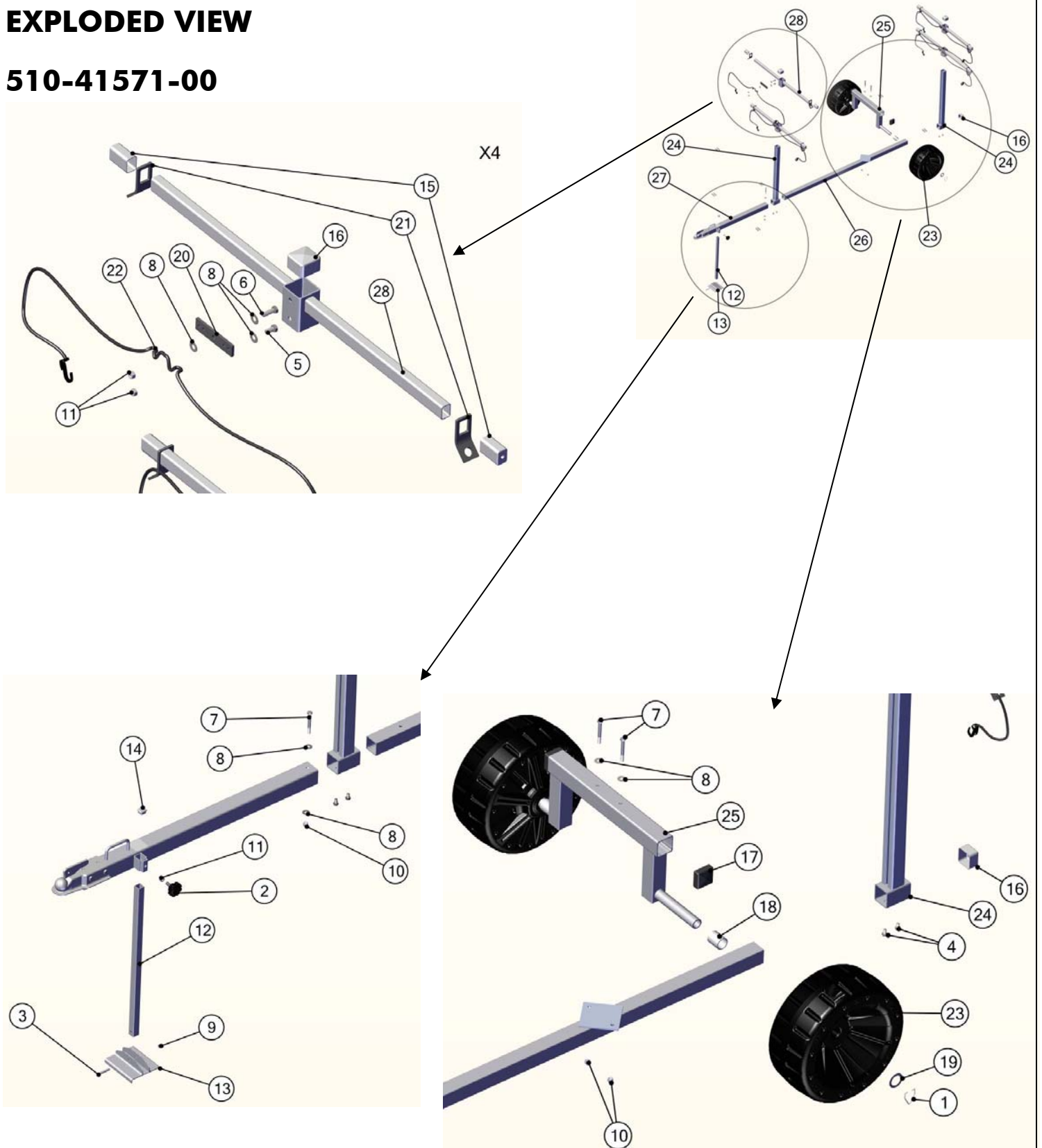
BILL OF MATERIALS

510-41571-00

| P/N 510-41571-00 | CART, WATER ACCESSORY | | |
|------------------|-----------------------|------------------------------------|-------------|
| <u>NUMBER</u> | <u>PART NUMBER</u> | <u>DESCRIPTION</u> | <u>QTY.</u> |
| 1 | 001-26728-00 | CLIP, STAINLESS STEEL SPINDLE | 2 |
| 2 | 001-70000-00 | SOFT GRIP KNOB, 1/2-13 X 1-1/4" | 1 |
| 3 | 001-70112-00 | HHCS, 3/8-16 X 2-1/4" 18-8 SS | 1 |
| 4 | 001-70203-00 | HHCS, 1/2-13 x 3/4" 18-8 SS | 4 |
| 5 | 001-70205-00 | HHCS 1/2-13 X 1" SS 18-8 | 4 |
| 6 | 001-70209-00 | HHCS, 1/2-13 x 1 1/2" 18-8 ss | 4 |
| 7 | 001-70219-00 | HHCS, 1/2-13 x 4" 18-8 ss | 3 |
| 8 | 001-71021-00 | FLAT WASHER, 1/2" 18-8 SS | 16 |
| 9 | 001-76071-00 | NUT, NYLOCK 3/8-16 ALUM. | 1 |
| 10 | 001-76072-00 | NUT, NYLOCK 1/2-13 ALUM. | 3 |
| 11 | 001-76350-00 | NUT, 1/2-13 ALUM | 9 |
| 12 | 002-02062-00 | POLE, DOCK SUPPORT - 30" LG. | 1 |
| 13 | 002-02072-00 | PAD, DOCK SUPPORT | 1 |
| 14 | 006-13400-00 | CAPLUG, 1 1/4" SQ. (.125 WALL) | 1 |
| 15 | 006-14606-00 | CAP, GREY 1.25 X1.75 X 3 | 8 |
| 16 | 006-15022-00 | CAP, VINYL-CANOPY/WINCH INSERT | 3 |
| 17 | 006-15200-00 | CAP, VINYL 3" SQ. LIFT CORNER | 2 |
| 18 | 007-00006-00 | SPACER, POLYETHYLENE - 2.375" | 2 |
| 19 | 010-00020-00 | WASHER, 2.5 O.D. X 1.75" I.D. | 2 |
| 20 | 010-00035-00 | BRACKET, HDPE CENTER SHOCK CORD | 4 |
| 21 | 010-00036-00 | BRACKET, HDPE ANGLED SHOCK CORD | 8 |
| 22 | 010-00105-00 | SHOCK CORD, 72" W/DOUBLE HOOK | 4 |
| 23 | 010-06001-00 | WHEEL, PLASTIC (DRILLED) | 2 |
| 24 | 110-00196-00 | WELD'T, WATER ACC. CART UPRIGHT | 2 |
| 25 | 110-00198-00 | WELD'T, WATER ACC. CART CENTER | 1 |
| 26 | 110-00200-00 | WELD'T, WATER ACC. CART REAR TUBE | 1 |
| 27 | 110-00201-00 | ASS'Y, WATER ACC. CART FRONT TUBE | 1 |
| 28 | 110-00202-00 | ASS'Y, WATER ACC. CART "T" BRACKET | 4 |

EXPLODED VIEW

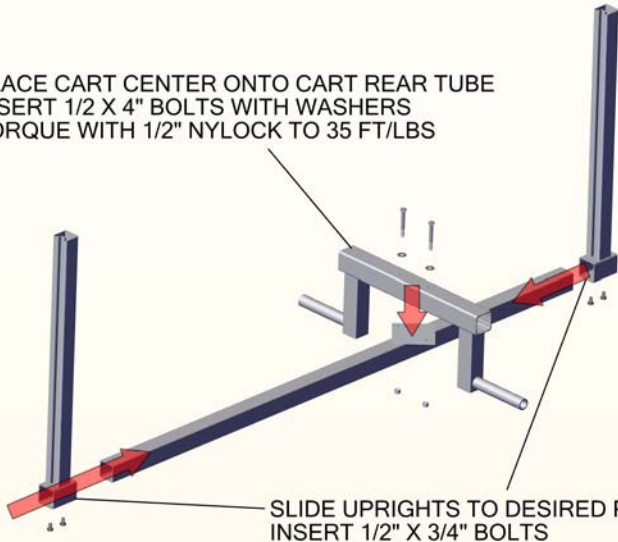
510-41571-00



INSTALLATION

STEP 1

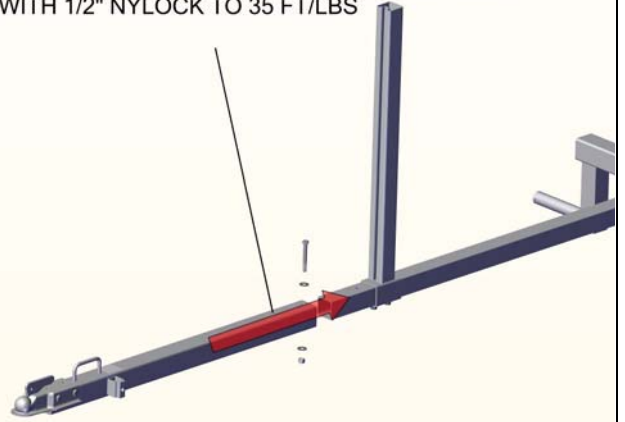
PLACE CART CENTER ONTO CART REAR TUBE
INSERT 1/2 X 4" BOLTS WITH WASHERS
TORQUE WITH 1/2" NYLOCK TO 35 FT/LBS



SLIDE UPRIGHTS TO DESIRED POSITION
INSERT 1/2" X 3/4" BOLTS

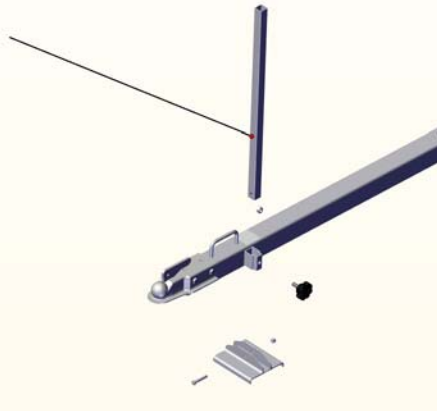
STEP 2

SLIDE FRONT TUBE OVER REAR TUBE
INSERT 1/2 X 4" BOLT WITH A WASHER ON EITHER SIDE
TORQUE WITH 1/2" NYLOCK TO 35 FT/LBS



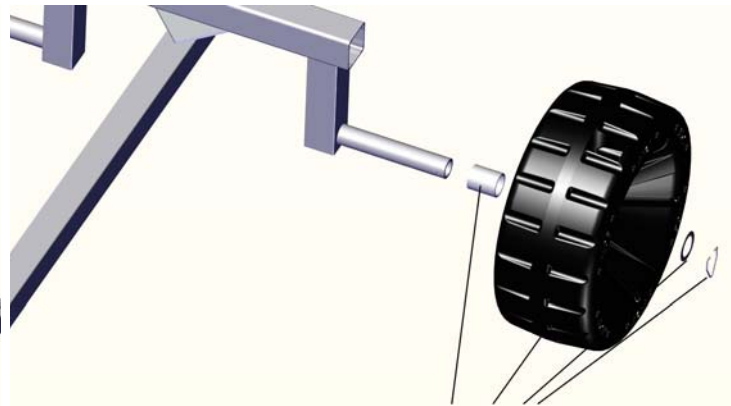
STEP 3

INSERT NUT INTO NUT TRACK
SCREW KNOB BOLT INTO NUT
INSERT THE SUPPORT POLE INTO THE POCKET
BOLT SANDPAD TO THE POLE WITH 3/8 X 2 1/4" BOLT
TORQUE WITH 3/8 NYLOCK TO 20 FT/LBS
TIGHTEN KNOB



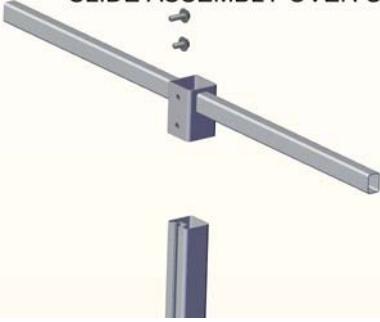
STEP 4

INSERT SPACER
INSERT WHEEL WITH DOMED
OUT SIDE TOWARD CENTER
INSERT 2.5" WASHER AND SPINDLE CLIP
REPEAT FOR OTHER SIDE



STEP 5

INSERT 1/2 X 1 1/2" BOLT INTO TOP HOLE OF T BRACKET WITH WASHER
INSERT 1/2 X 1" BOLT INTO BOTTOM HOLE OF T BRACKET WITH WASHER
SLIDE ASSEMBLY OVER UPRIGHT



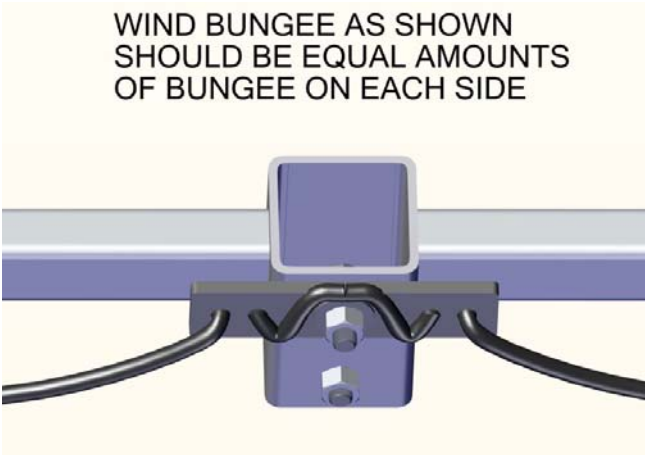
STEP 6

PLACE PLASTIC CENTER BRACKET OVER TOP BOLT
PLACE WASHER OVER TOP BOLT
PLACE A NUT ONTO EACH BOLT
PLACE AT DESIRED HEIGHT
BOTTOM BRACKET SHOULD BE AS LOW AS POSSIBLE
TOP BRACKET SHOULD BE AT LEAST 1.5" FROM TOP OF TUBE
TORQUE TO 20 FT/LBS



STEP 7

WIND BUNGEE AS SHOWN
SHOULD BE EQUAL AMOUNTS
OF BUNGEE ON EACH SIDE



STEP 8

INSERT ANGLED PLASTIC BRACKET ONTO T BRACKET
INSERT 1.25 X 1.75 CAP ONTO T BRACKET
REPEAT FOR OTHER SIDE
REPEAT STEPS 5-8 FOR ALL FOUR T BRACKETS



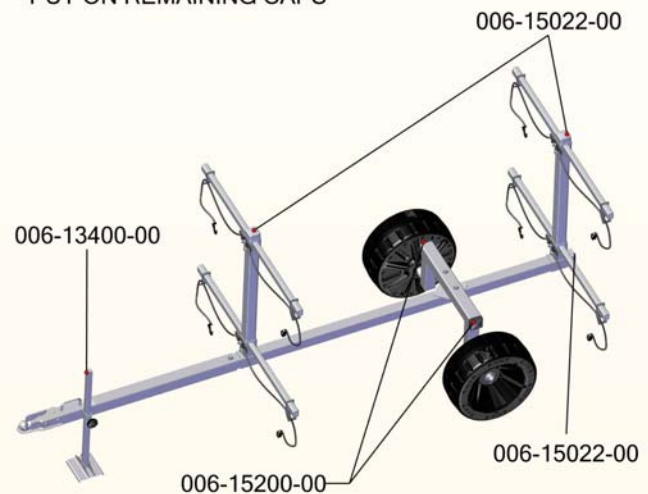
STEP 9

WIND BUNGEE ENDS AS SHOWN

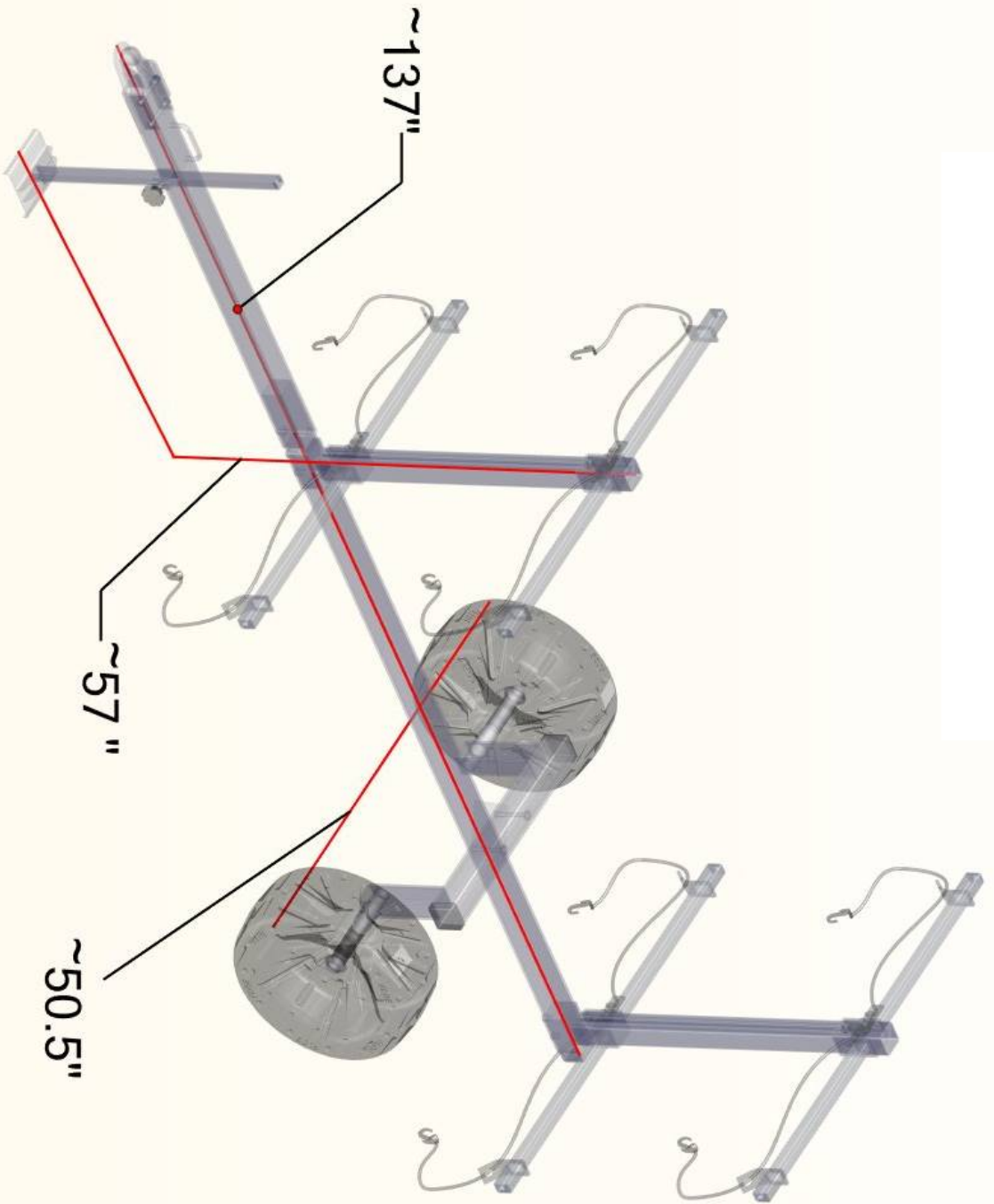


STEP 10

PUT ON REMAINING CAPS



35lbs/arm maximum



~70lbs

