

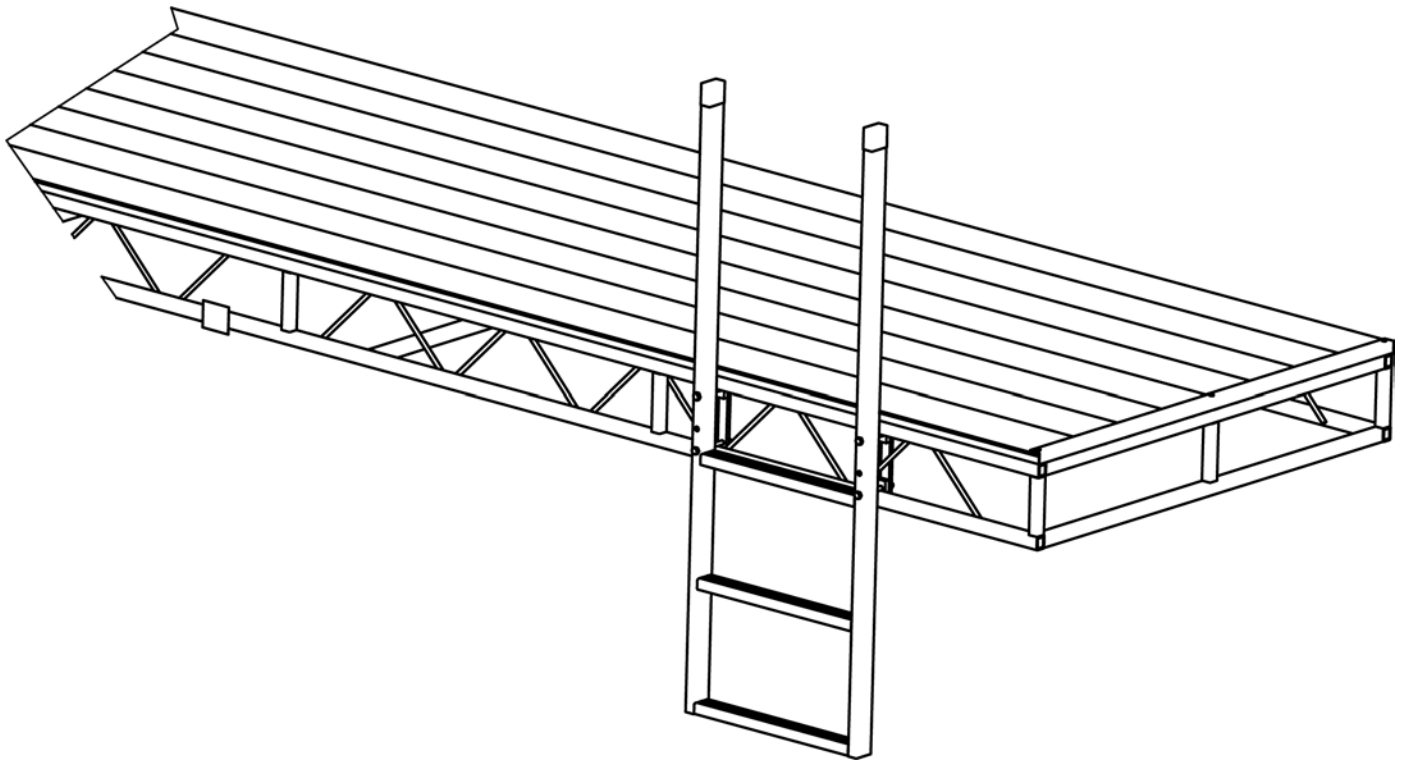
FLOE DOCK LADDER FOR ROLL-IN AND SECTIONAL DOCKS



ASSEMBLY INSTRUCTIONS

KIT P/N 510-41400-00 (58")

KIT P/N 510-41405-00 (70")



TOOLS REQUIRED

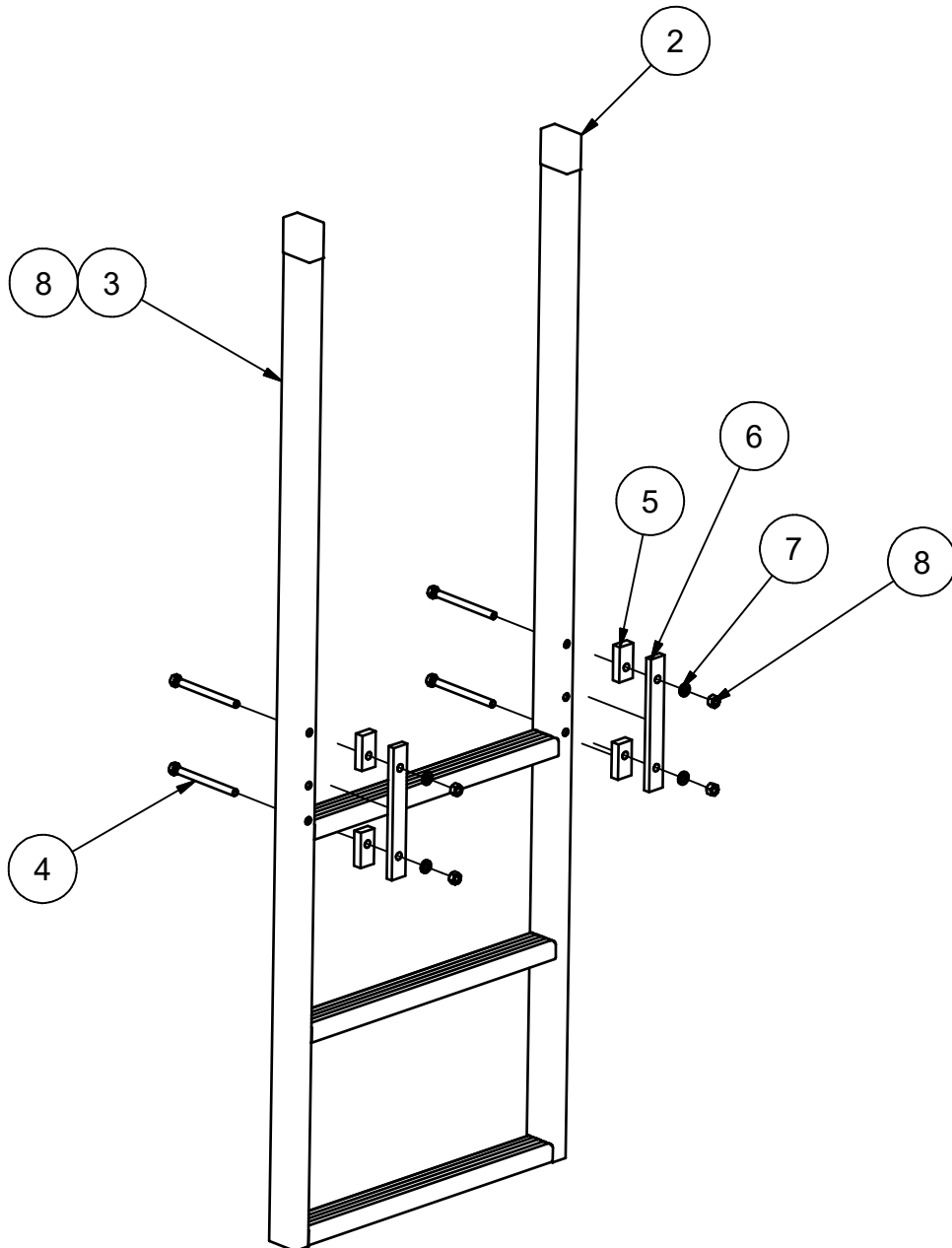
- (2) 9/16" SOCKETS OR WRENCHES
- TORQUE WRENCH
- TAPE MEASURE
- FRAMING SQUARE
- CENTER PUNCH
- CORDLESS DRILL
- 13/32" DRILL BIT
- HAMMER

REQUIRED FOR
ATTACHING TO
A SECTIONAL
DOCK.

EXPLODED VIEW AND PARTS LIST

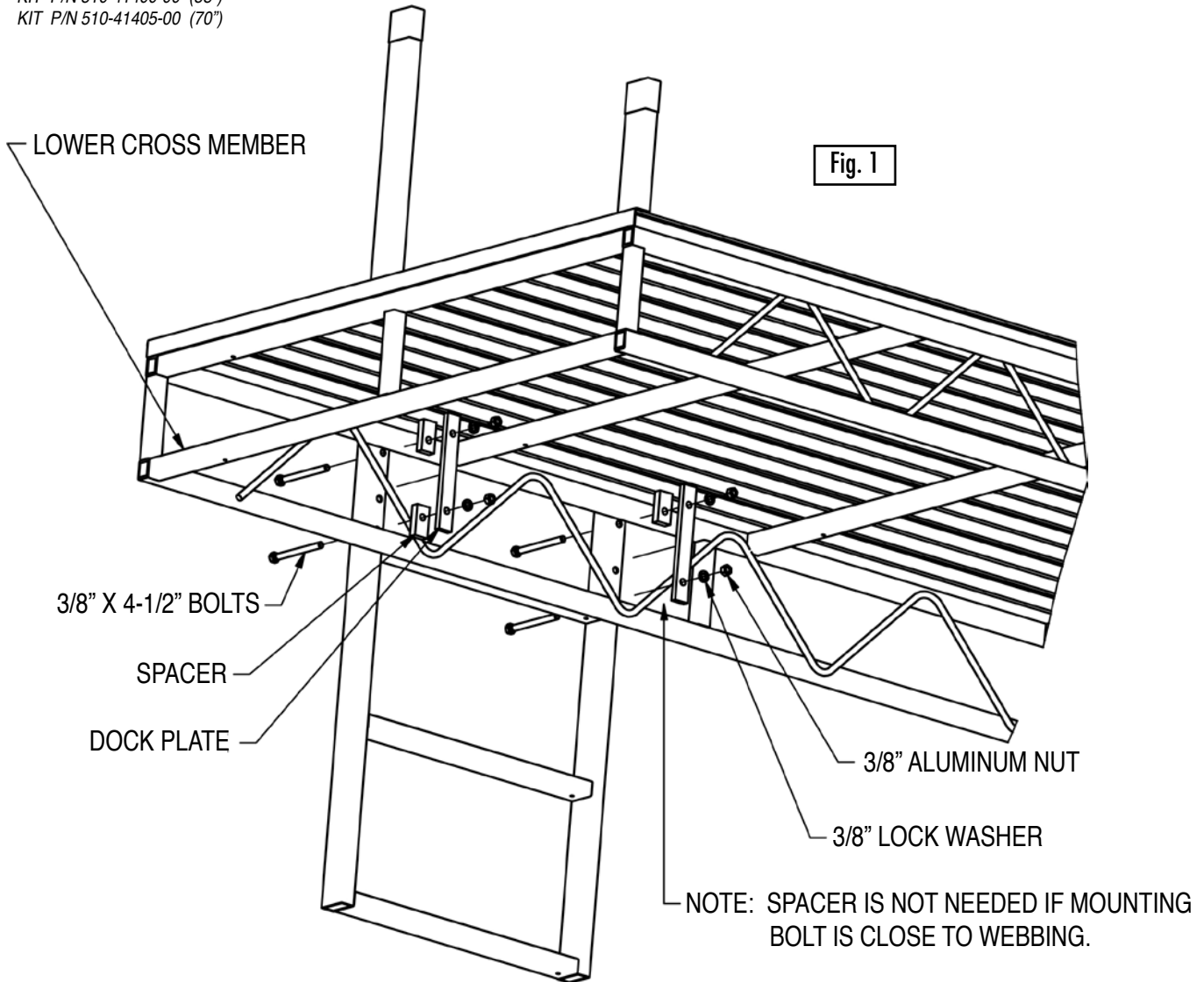
KIT P/N 510-41400-00 (58")
KIT P/N 510-41405-00 (70")

Item	Part No.	Qty	Description
1	110-00065-00	1	Weldment, Dock Ladder-70"
2	006-13700-00	2	Cap, Vinyl 1" X 2" X 2"
3	110-00033-00	1	Weldment, Dock Ladder-58"
4	001-72940-00	4	HHCS, 3/8-16 x 4 1/2" Full Thread SS
5	002-02204-00	4	Spacer, Dock Accessory
6	002-02203-00	2	Plate, Dock Accessory
7	001-71067-00	4	Lock Washer, 18-8 SS
8	001-76349-00	4	Nut, 3/8-16 ALUM



INSTALLATION INSTRUCTIONS FOR ROLL-IN DOCKS

KIT P/N 510-41400-00 (58")
KIT P/N 510-41405-00 (70")



STEP 1 - - - - -

Determine location of ladder on dock. When mounting on the long side of the dock, locate ladder close to dock lower cross member. When mounting to the end of the dock, install opposite the FLOE dock sign. These locations will insure better rigidity.

STEP 2 - - - - -

Insert (4) 3/8" x 4 1/2" bolts through holes in ladder and webbing on dock as shown above. Bolts go through upper and lower holes on ladder.

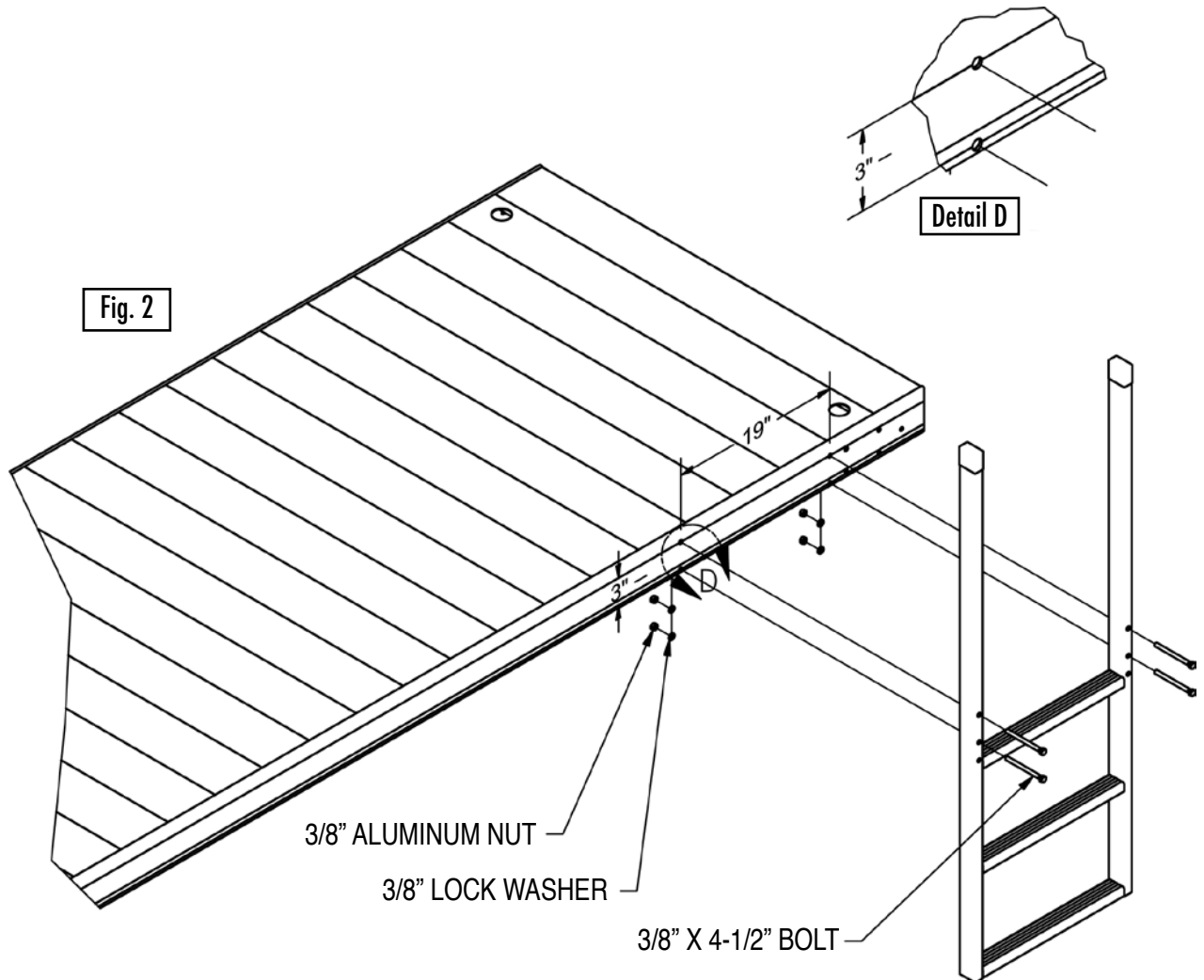
STEP 3 - - - - -

Slide (1) dock spacer over each bolt as shown above. If the bolt is close to the webbing a spacer may not be required. The web acts as the spacer. Slide the dock plates over the bolts and fasten using a 3/8" lock washer and 3/8" nut on each bolt. Torque to 30 ft/lbs.

INSTALLATION INSTRUCTIONS FOR SECTIONAL DOCKS

KIT P/N 510-41400-00 (58")

KIT P/N 510-41405-00 (70")



- For attachment to a sectional dock, mounting holes must be drilled using a 13/32" drill bit.
- After determining the location of the ladder, use a framing square and mark a vertical line across the top and bottom serration (these serrations are 3" apart and are intended to act as a hole spacing reference; Refer to Detail D).
- Mark a second line 19" from the first as shown in Figure 2.
- Use a hammer and center punch to make a dimple for the drill bit. This helps to prevent the drill from wandering during the drilling process. Keep the drill bit perpendicular to the dock frame while drilling.
- Insert (4) 3/8 x 4 1/2" bolts through the top two holes of the ladder and through the dock side. Place (4) lock washers and (4) aluminum nuts on the bolts, and torque to 20 ft/lbs., making sure the ladder is square to the dock.