

# **FLOE DOCK UNIVERSAL HANDRAIL**

**FOR FLOATING & ROLL-IN DOCKS**

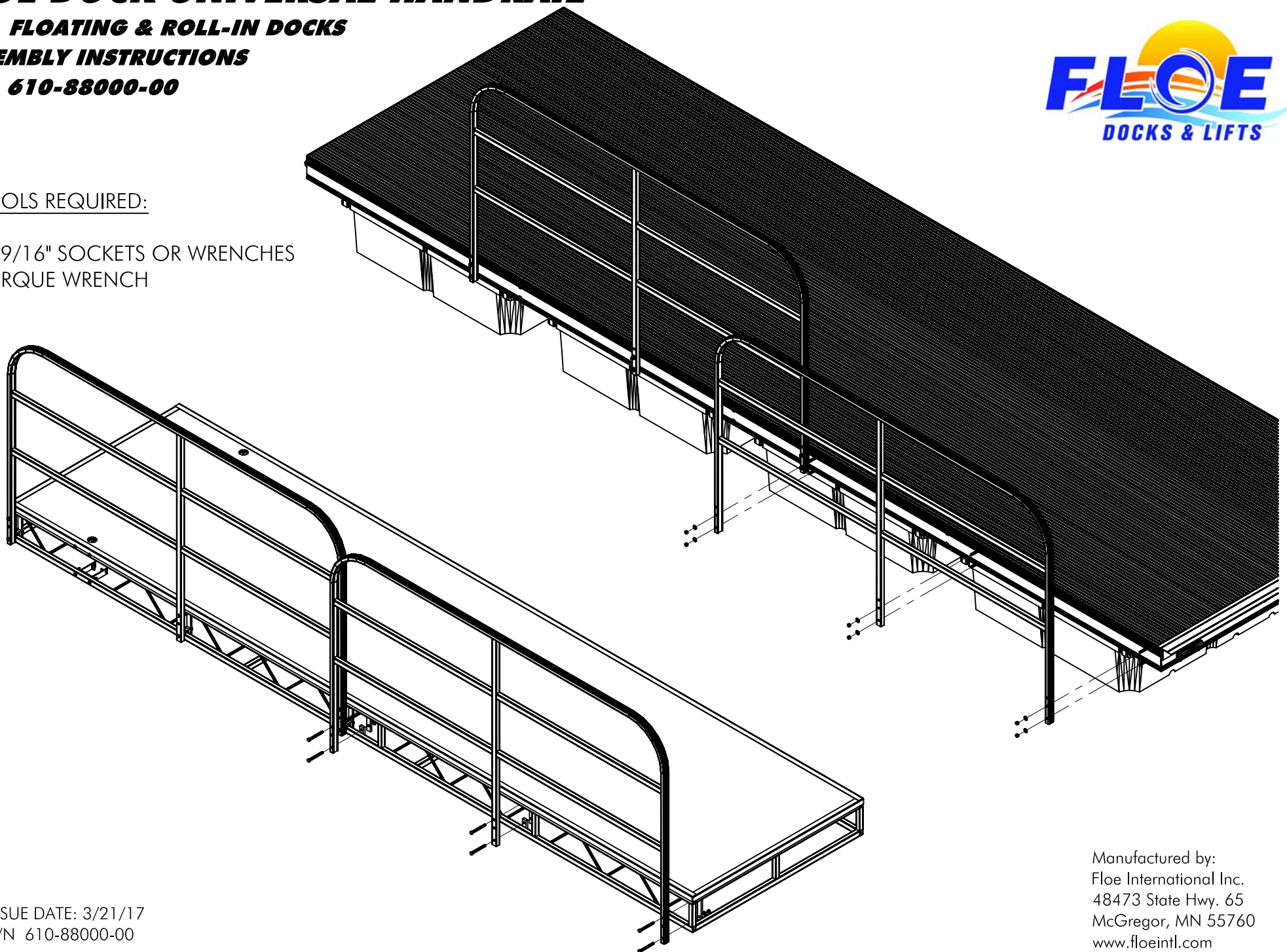
**ASSEMBLY INSTRUCTIONS**

**P/N 610-88000-00**



TOOLS REQUIRED:

- (2) 9/16" SOCKETS OR WRENCHES
- TORQUE WRENCH



ISSUE DATE: 3/21/17  
P/N 610-88000-00

Manufactured by:  
Floe International Inc.  
48473 State Hwy. 65  
McGregor, MN 55760  
[www.floeintl.com](http://www.floeintl.com)

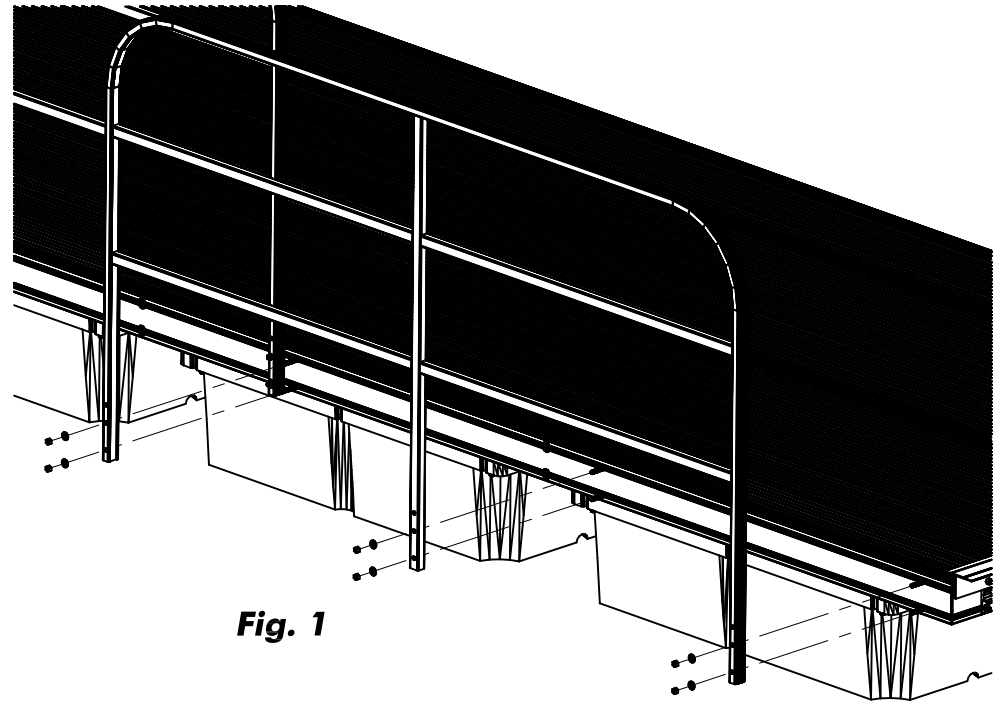
HANDRAIL SIZE	HARDWARE KITS REQUIRED
4'-0" HANDRAIL	2
6'-0" HANDRAIL	3
8'-0" HANDRAIL	3
12'-0" HANDRAIL	4

**HARDWARE KIT CONTAINS:**

- (2) HHCS, 3/8-16 x 2 1/4" 18-8 SS
- (2) HHCS, 3/8-16 x 3 3/4" 18-8 SS
- (4) FLATWASHER, 3/8" SAE SS 18-8
- (2) NUT, NYLOCK 3/8-16 ALUMINUM
- (1) PLATE, DOCK ACCESSORY
- (2) SPACER, DOCK ACCESSORY

**STEPS** (FOR FLOATING DOCKS)

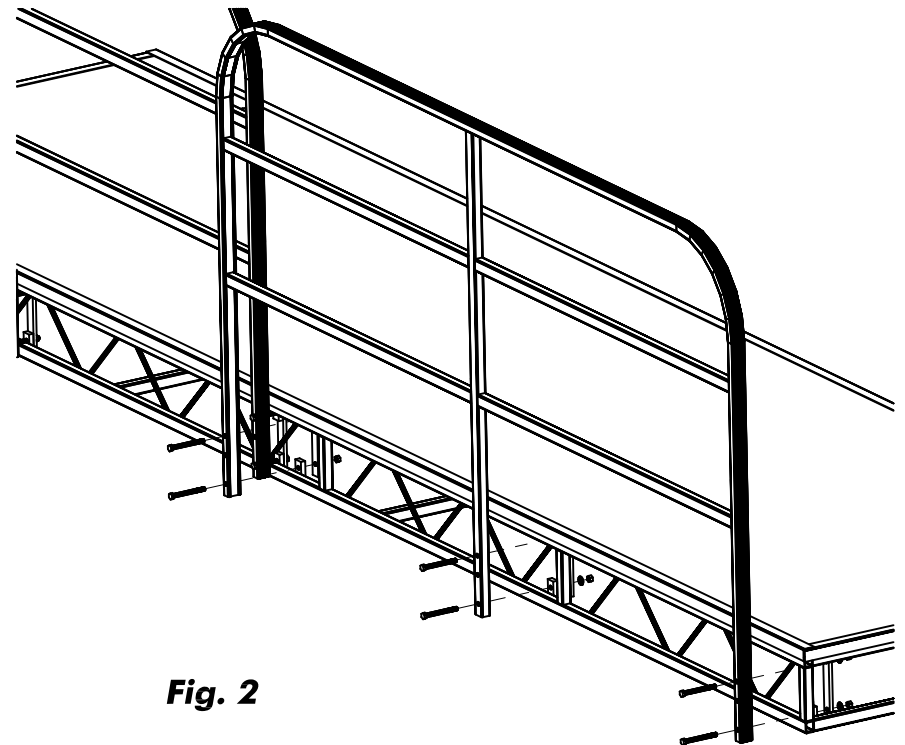
1. Insert 3/8" x 2 1/4" bolts w/flatwashers into holes in nut track on dock side frame. Insert enough for each upright on handrail (2 per upright). Align the bolts with lower two holes in handrail upright. See Fig. 1
2. Put a flatwasher and nylock nut on each bolt and finger tighten. Slide handrail to desired location and torque nuts to 30 ft/lbs.



**Fig. 1**

**STEPS** (FOR ROLL-IN DOCKS)

1. Insert 3/8" x 3 3/4" bolts into top and bottom holes in handrail uprights. Set the handrail in position so bottom bolts rest on the bottom frame rail of dock. It is recommended that you clamp the handrail to dock for easier installation. See Fig. 2.
2. Slide (1) spacer block over each bolt. If the bolt is too close to webbing do not add a spacer to that bolt, the webbing will act as the spacer as shown in Fig. 2.
3. Slide the bracket plates over the bolts and fasten using a lock washer and nut on each bolt. Torque to 30 ft/lbs.



**Fig. 2**