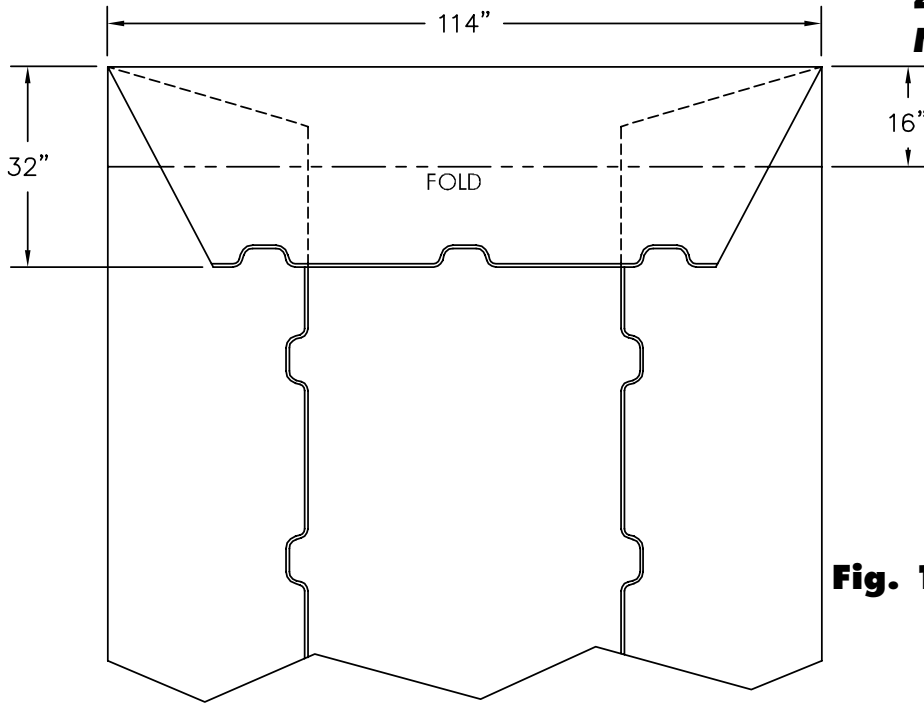


# CANOPY FOLDING INSTRUCTIONS

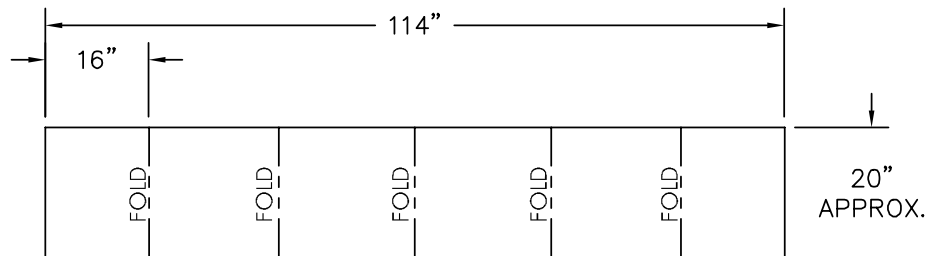
**SOLUTION DYED POLYESTER (SDP)  
CARE INSTRUCTIONS**



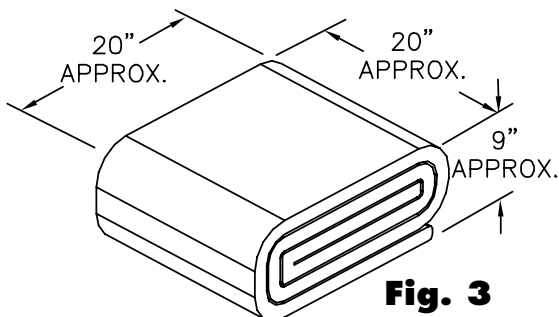
**Manufactured by:  
FLOE INTERNATIONAL, INC.  
48473 State Hwy. 65  
McGregor, MN 55760**



**Fig. 1**



**Fig. 2**



**Fig. 3**

1. Lay canopy on a clean, flat surface with the top facing up.
2. Fold the sides of the canopy over the top so the width is approximately 114". Fold each end of the canopy over approximately 32". See Fig. 1

3. At one end, measure in 16", fold the canopy toward opposite end and continue folding until you reach the other side. The canopy should now be approximately 20" wide and resemble Fig. 2.
4. At one side, measure in 16", fold the canopy until you reach the opposite end. The canopy should now resemble Fig. 3.

# **SOLUTION DYED POLYESTER (SDP) CANOPIES**

## **CARE AND CLEANING INSTRUCTIONS**

Your SDP canopy fabric is designed to be easy to maintain. By following a few simple care and cleaning steps, the fabric will maintain its good looks for many years.

### **GENERAL INFORMATION:**

The SDP All-weather fabric is made from 100 percent solution-dyed polyester yarns. Solution dyeing is the process of adding color to polyester fibers during manufacturing while they are in a liquid state. This characteristic of SDP fabric makes it colorfast, easy to clean, and long lasting.

Because SDP fabrics are woven, they are also breathable. It's also important to know that they are treated with a fluorocarbon finish, which enhances water repellency. This finish requires replenishment after vigorous cleaning.

Polyester fabric will not support the growth of mildew. Mold and mildew need 'food' to grow on, and polyester isn't a desirable substance for mold. However, dirt or dust on the fabric is a perfect 'food' for mildew growth, which makes regular cleanings important. There is no set time for when the fabric should be cleaned, and the local environment has a great deal to do with determining cleaning frequency. Cleaning is required less frequently in a dry environment than in a humid one, where there is heavy foliage cover. Your SDP polyester material has a finish applied to the fabric to deter mold and mildew growth, but it is not mold and mildew proof. Keeping fabric free of dirt is important to deter mold and mildew growth.

### **CLEANING:**

One of the best ways to keep your SDP fabric looking good and to delay the need for deep cleaning is to hose the fabric off on a monthly basis with clear water. This practice will help prevent dirt from becoming deeply imbedded in the fabric and eliminate the need for more frequent deep cleanings. In most environments, a thorough cleaning will be needed every two to three years.

When it's time for a thorough cleaning, SDP fabrics can be cleaned while still on a canopy frame, or size permitting, they can be removed for cleaning in a washing machine. (Air dry only, do not put in dryer.)

When thorough cleaning SDP canopy fabrics, follow these simple steps:

- Brush off loose dirt.
- Hose down.
- Prepare a cleaning mixture of water and mild, natural soap (**NEVER detergents**).  
Water temperature should be cold to lukewarm (never more than 100 degrees).
- Use a soft bristle brush to clean.
- Allow soap to soak in.
- Rinse thoroughly.
- Air dry.

If stubborn stains persist, you can use a special diluted chlorine bleach/soap mixture for spot cleaning of mildew or other stains as follows:

- Four ounces (1/2 cup) of chlorine bleach.
- Two ounces (1/4 cup) of natural soap.
- One gallon of water.
- Clean with soft bristle brush.
- Allow mixture to soak for up to 20 minutes.
- Rinse thoroughly.
- Air dry.
- Repeat if necessary.

### **RE-TREATING SDP FABRIC:**

As part of the finishing process, SDP fabrics are treated with a fluorocarbon finish, which enhances water repellency. This finish is designed to last for several years, but must be replenished after a thorough cleaning. The manufacturer recommends 303 High Tech Fabric Guard' as the preferred re-treatment product for SDP fabrics. Fabrics should be re-treated after thorough cleaning or after five years of use. 303 High Tech Fabric Guard' can be purchased at most marine supply stores, or online at [303-products.com](http://303-products.com).

### **APPLYING 303 HIGH TECH FABRIC GUARD':**

After cleaning the fabric, allow it to air dry completely, and then apply 303 in a thin even coat. After allowing the first coat of 303 to air dry, apply a second thin, even coating of 303. Two light coatings are more effective in restoring fabric water resistance than a single heavy coating. Please keep in mind that 303 will work only as well as you apply it. If the canopy is not completely free from dust and dirt, the 303 fabric guard will not adhere to the material and will wash away with the dirt particles.

*With proper care and cleaning, you can expect excellent service and long life from your SDP (upgrade) fabrics.*



Want the best? Go with the FLOE!