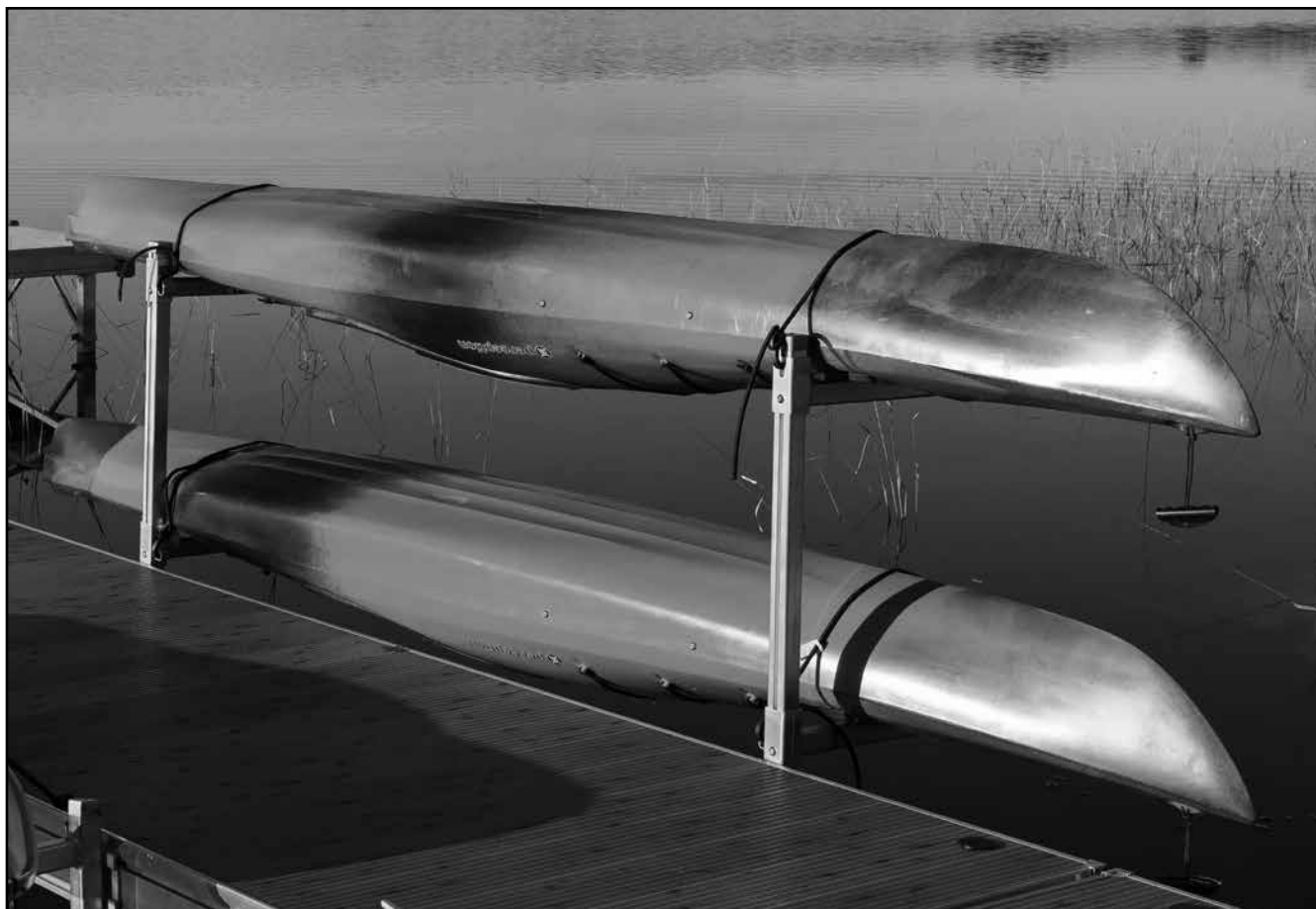


2-TIER LAKE ACCESSORY RACK & LAKE ACCESSORY EXPANSION

ASSEMBLY INSTRUCTIONS

KIT P/N 510-41560-00

KIT P/N 510-41561-00



FOR QUICK ATTACH™ DOCK (510-02572-00 KIT),
QUICK ATTACH™ BRACKET, VERTICAL BUMPER
LAKE ACCESSORY IS REQUIRED.

TOOLS REQUIRED

- 9/16" SOCKET/WRENCH (2)
- TORQUE WRENCH
- TAPE MEASURE
- CORDLESS DRILL
- 3/8" DRILL BIT

INSTRUCTION P/N 610-41560-00

ISSUED: 1/22/18

REV:

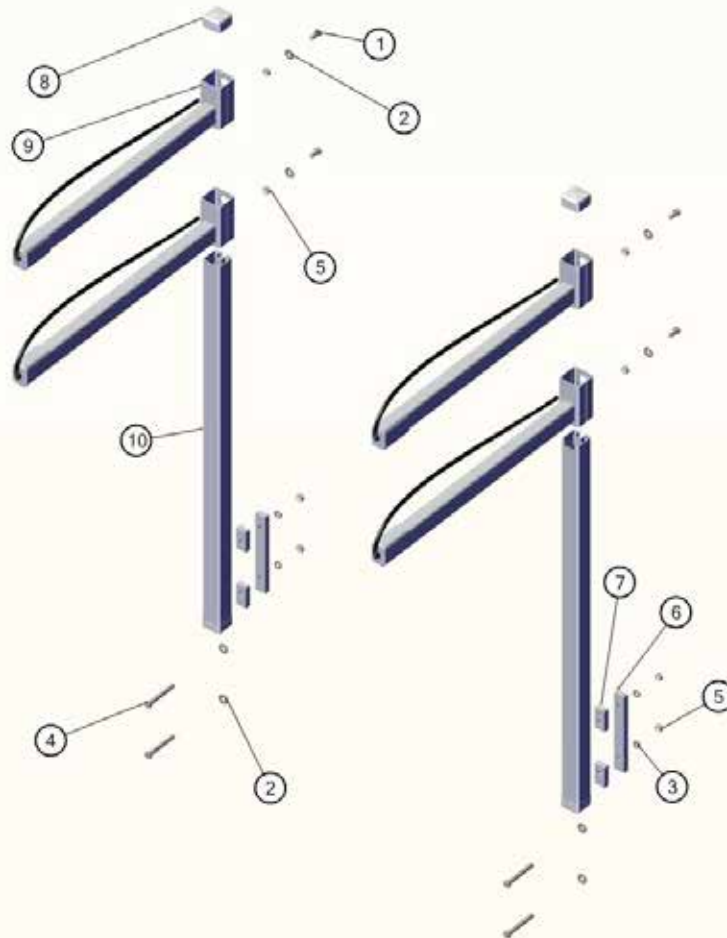
©FLOE INTERNATIONAL, INC.
48473 STATE HWY. 65
MCGREGOR, MN 55760
WWW.FLOEINTL.COM
ALL RIGHTS RESERVED.

FLOE LAKE ACCESSORY RACK

EXPLODED VIEW AND PARTS LIST

KIT P/N 510-41560-00

P/N 510-41560-00		RACK, WATER ACCESSORY	
<u>NUMBER</u>	<u>PART NUMBER</u>	<u>DESCRIPTION</u>	<u>QTY.</u>
1	001-70103-00	HHCS, 3/8-16 X 3/4" 18-8 SS	4
2	001-71017-00	FLATWASHER, 3/8" SAE SS 18-8	8
3	001-71067-00	LOCKWASHER, 3/8" S/W SS 18-8	4
4	001-71191-00	HHCS, 3/8-16 X 3" SS FULL THREAD	4
5	001-76349-00	NUT, 3/8-16 ALUM	8
6	002-02203-00	PLATE, DOCK ACCESSORY	2
7	002-02204-00	SPACER, DOCK ACCESSORY	4
8	010-00310-00	CAP, GREY 1.7 X 1.7 X 1 W/ VHB	2
9	110-00122-00	ASS'Y, WATER ACCESSORY RACK BRACKET	4
10	110-00195-00	UPRIGHT, WATER ACCESSORY RACK	2

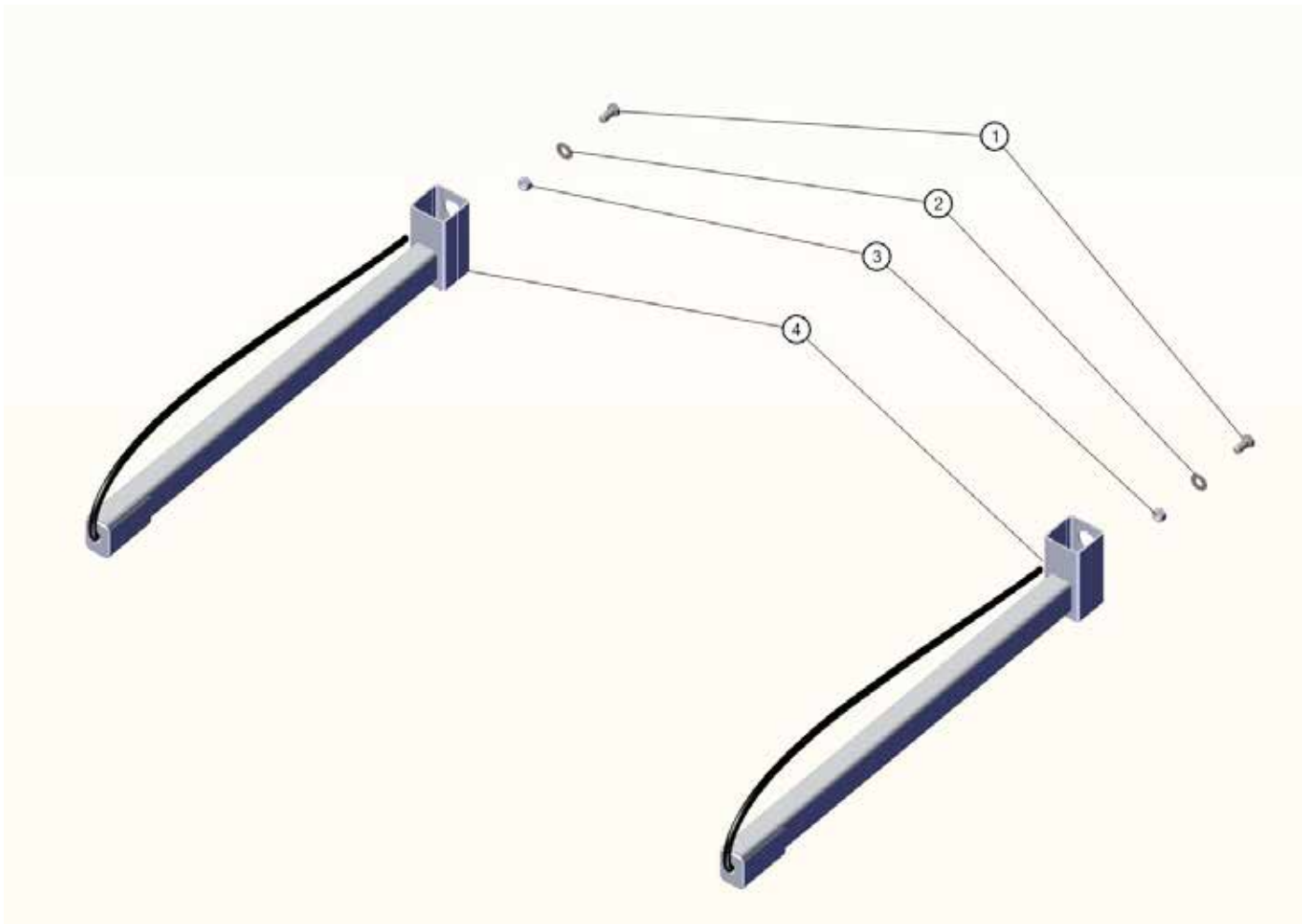


FLOE LAKE ACCESSORY EXPANSION

EXPLODED VIEW AND PARTS LIST

KIT P/N 510-41561-00

P/N 510-41561-00	EXPANSION, WATER ACCESSORY RACK		
<u>NUMBER</u>	<u>PART NUMBER</u>	<u>DESCRIPTION</u>	<u>QTY.</u>
1	001-70103-00	HHCS, 3/8-16 X 3/4" 18-8 SS	2
2	001-71017-00	FLATWASHER, 3/8" SAE SS 18-8	2
3	001-76349-00	NUT, 3/8-16 ALUM	2
4	110-00122-00	ASS'Y, WATER ACCESSORY RACK BRACKET	2



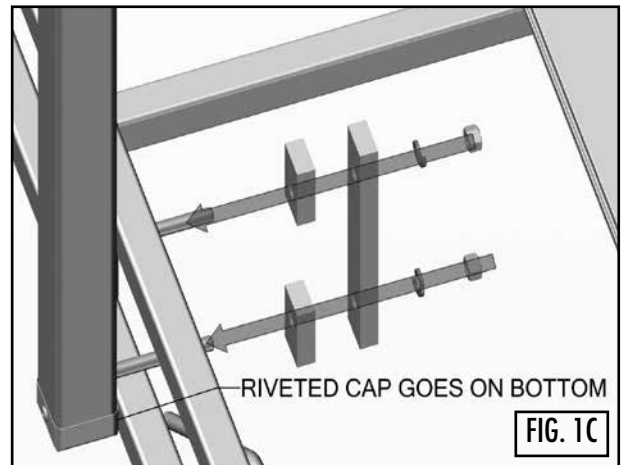
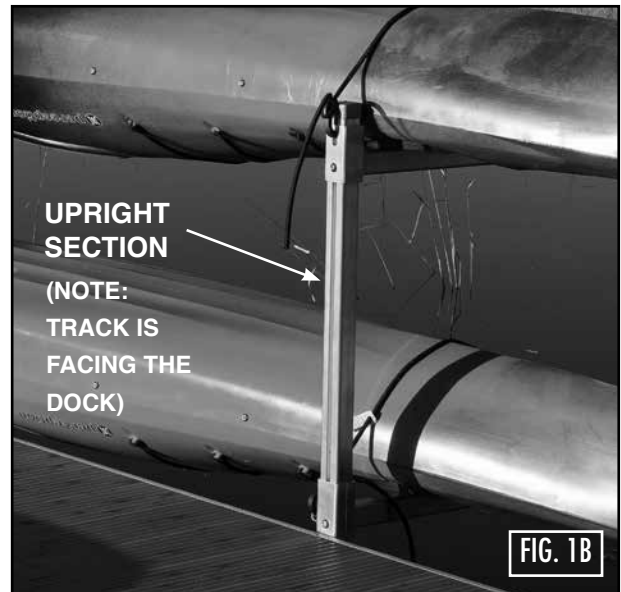
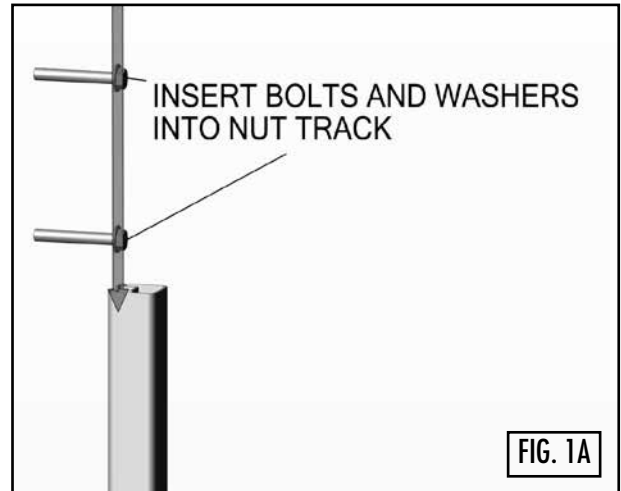
STEP 1A: ROLL-IN DOCK INSTALLATION

- Place two flat washers (001-71017-00) onto two 3" full thread bolts (001-71191-00).
- Insert the bolts & washers into the track of the upright section of the Accessory Rack (100-00195-00). See FIG. 1A & FIG. 1B.
- Slide bolts through the track on the dock-facing side of the upright section. Slide spacers (002-02203-00) and a plate (002-02204-00) onto the bolts. See FIG. 1B & 1C.

NOTE: Riveted end cap of upright section must be on bottom. See FIG. 1C.

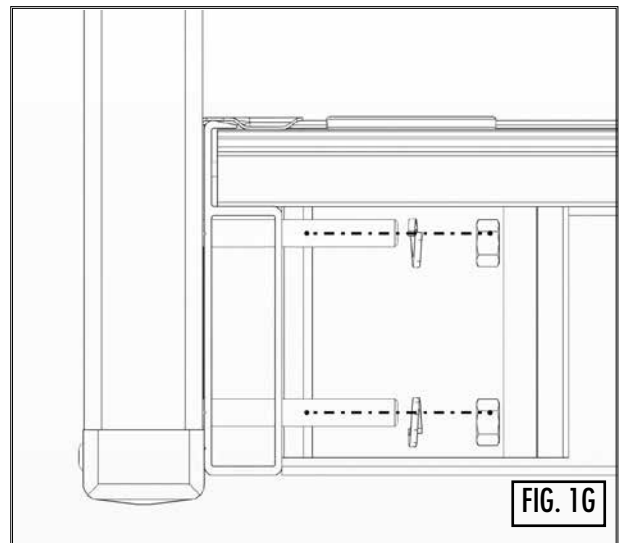
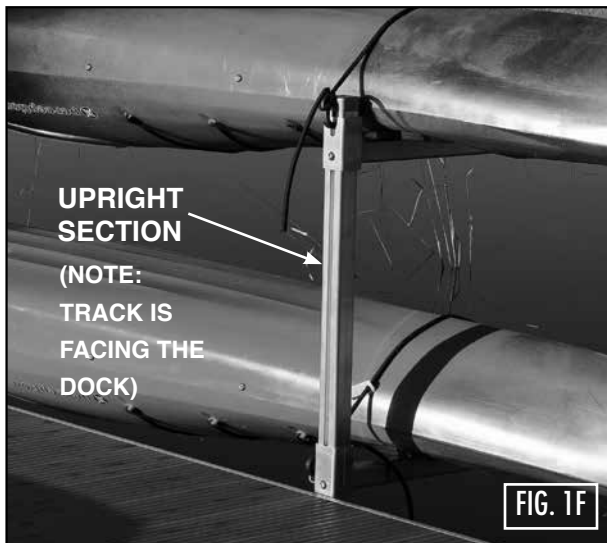
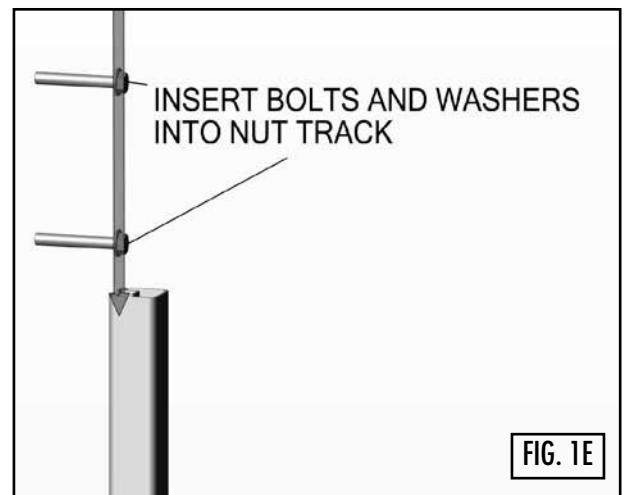
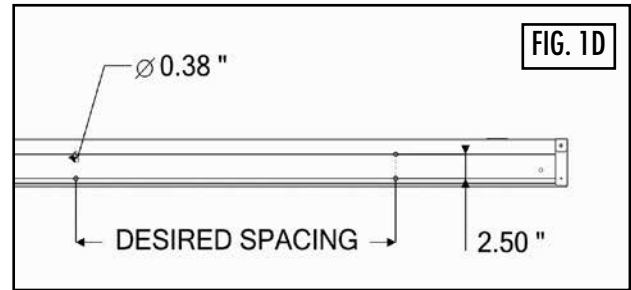
NOTE: No spacer is necessary if webbing on side of dock is close to the bolt. In this case, the webbing will act as a spacer.

- Slide lock washers (001-71067-00) over the bolts and secure with aluminum nuts (001-76349-00). See FIG. 1C.
- Torque aluminum nuts 20 FT/LBS.
- Decide spacing for supports and repeat above steps for second upright.



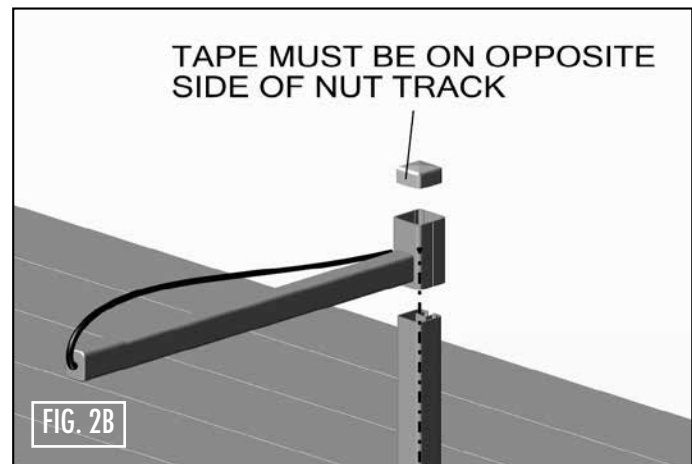
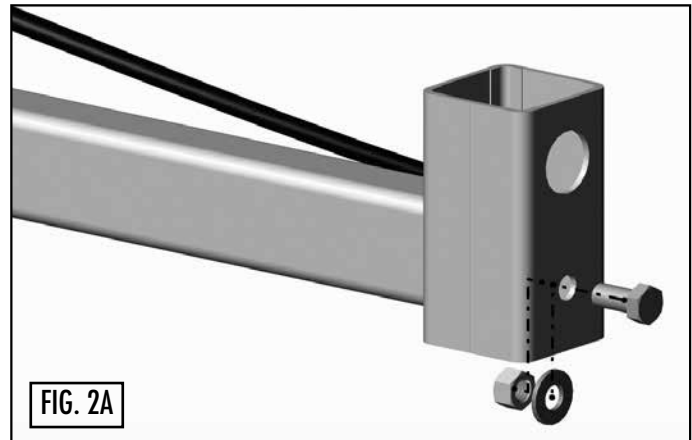
STEP 1B: SECTIONAL DOCK INSTALLATION

- Drill four 3/8" holes into side of the sectional dock, using the two upper indicator lines as guides. Space holes to desired width of the rack. See FIG 1D.
- Place two flat washers (001-71017-00) onto two 3" full thread bolts (001-71191-00).
- Insert the bolts & washers into the track of the upright section of the Accessory Rack (911-18705-00). See FIG. 1E & 1F.
- Slide bolts through the track on the dock-facing side of the upright section. See FIG. 1F.
- Slide lock washers (001-71067-00) over bolts and secure with aluminum nuts (001-76349-00).
- Torque aluminum nuts 20 FT/LBS.
- Decide spacing for supports and repeat above steps for second upright.



STEP 2: RACK BRACKET INSTALLATION

- Insert 3/4" bolt (001-70103-00) into rack bracket (110-00122-00). Slide a flat washer onto bolt and secure with aluminum nut. See FIG 2A.
- Slide bracket over the upright section and set to desired height.
- Torque aluminum nut to 20 FT/LBS.
- Repeat above three steps with all brackets, making sure all brackets are at equal heights.
- Peel plastic backing off tape on caps & place caps onto upright sections. See FIG 2B.
- **NOTE:** Tape must be on opposite side of nut track - facing away from the dock.



FOR RACK EXPANSIONS, REMOVE CAP AND FOLLOW STEP 2

