

SPARE TIRE CARRIER TILT TRAILERS

ASSEMBLY INSTRUCTIONS

P/N 551-04000-00



1. Drill 7/8" dia. hole thru the plywood deck as shown in Fig 1b.
2. Place the 4 x 4 plate with nut side down over the hole. Drill 3/16" dia. holes thru the plywood at each corner of the plate.
3. Insert rivets in each hole and place the other plate on the bottom side of the deck. Pop the rivets using a rivet gun.
4. Mount the spare tire as shown in Fig. 1a.

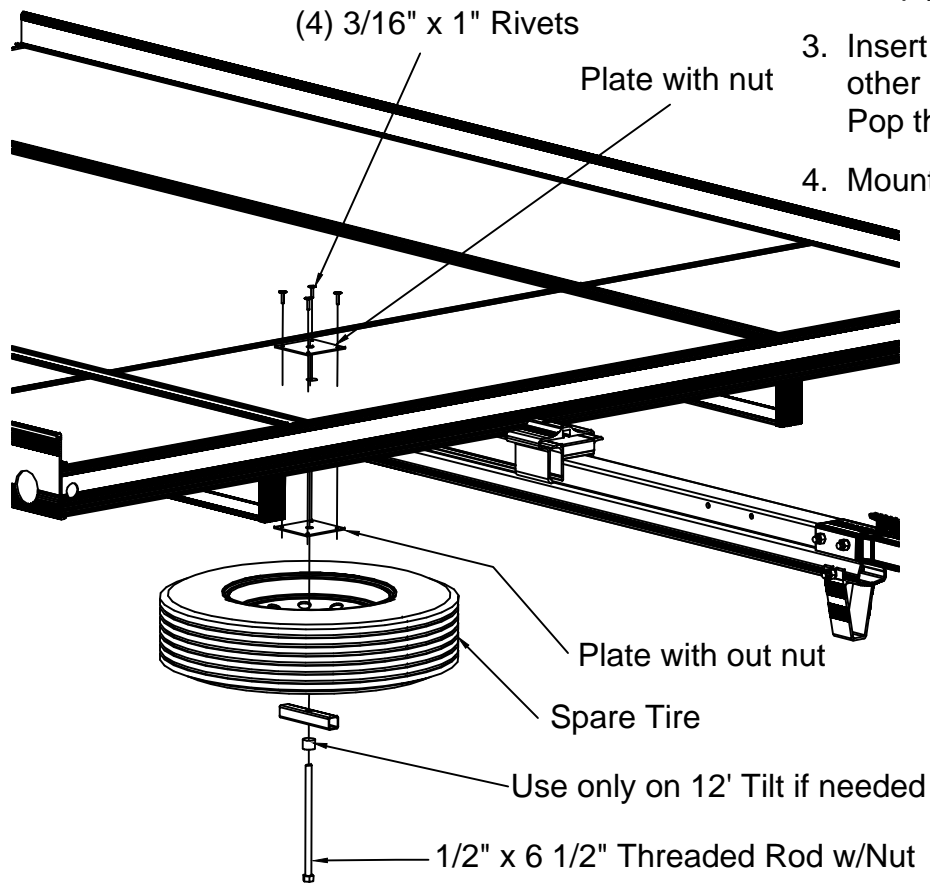


Fig. 1a

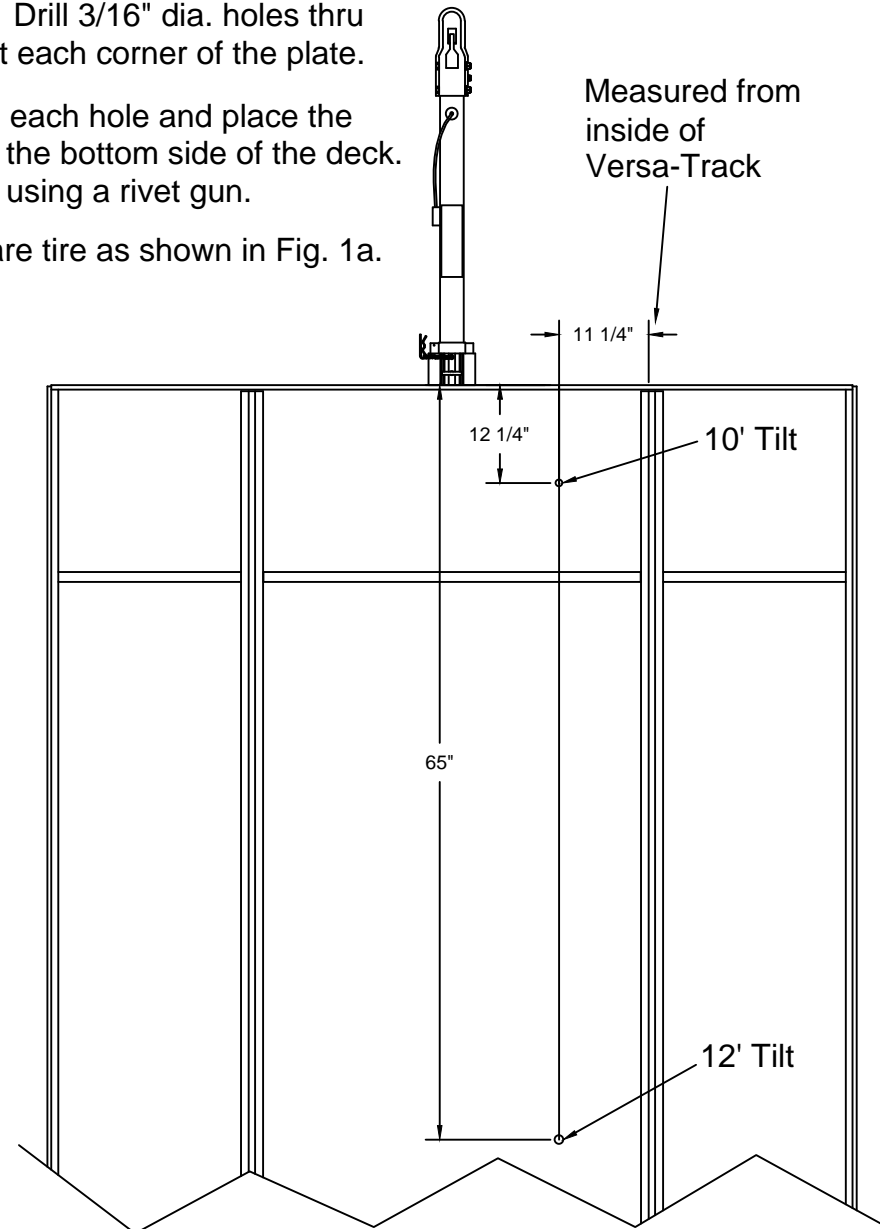


Fig. 1b