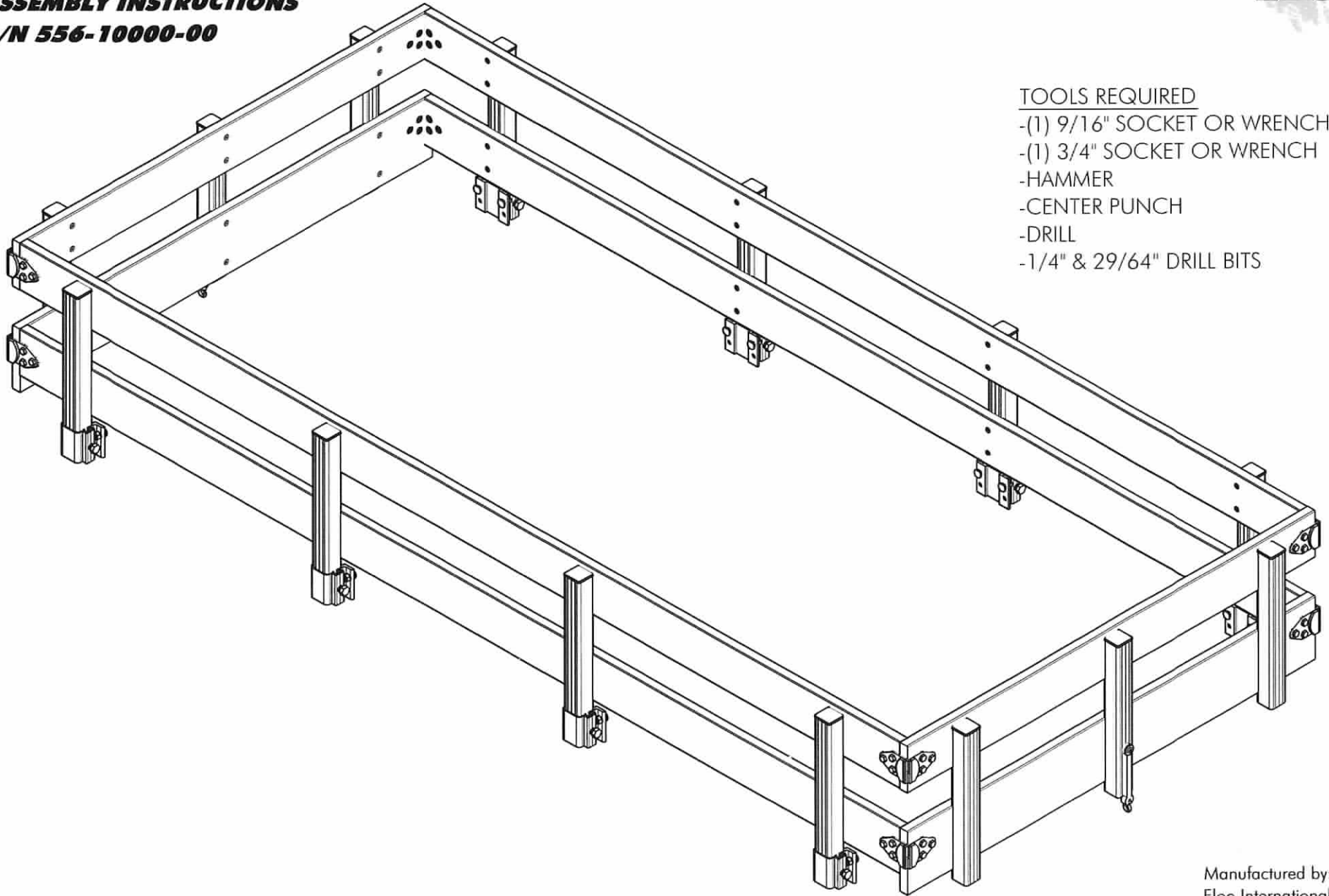
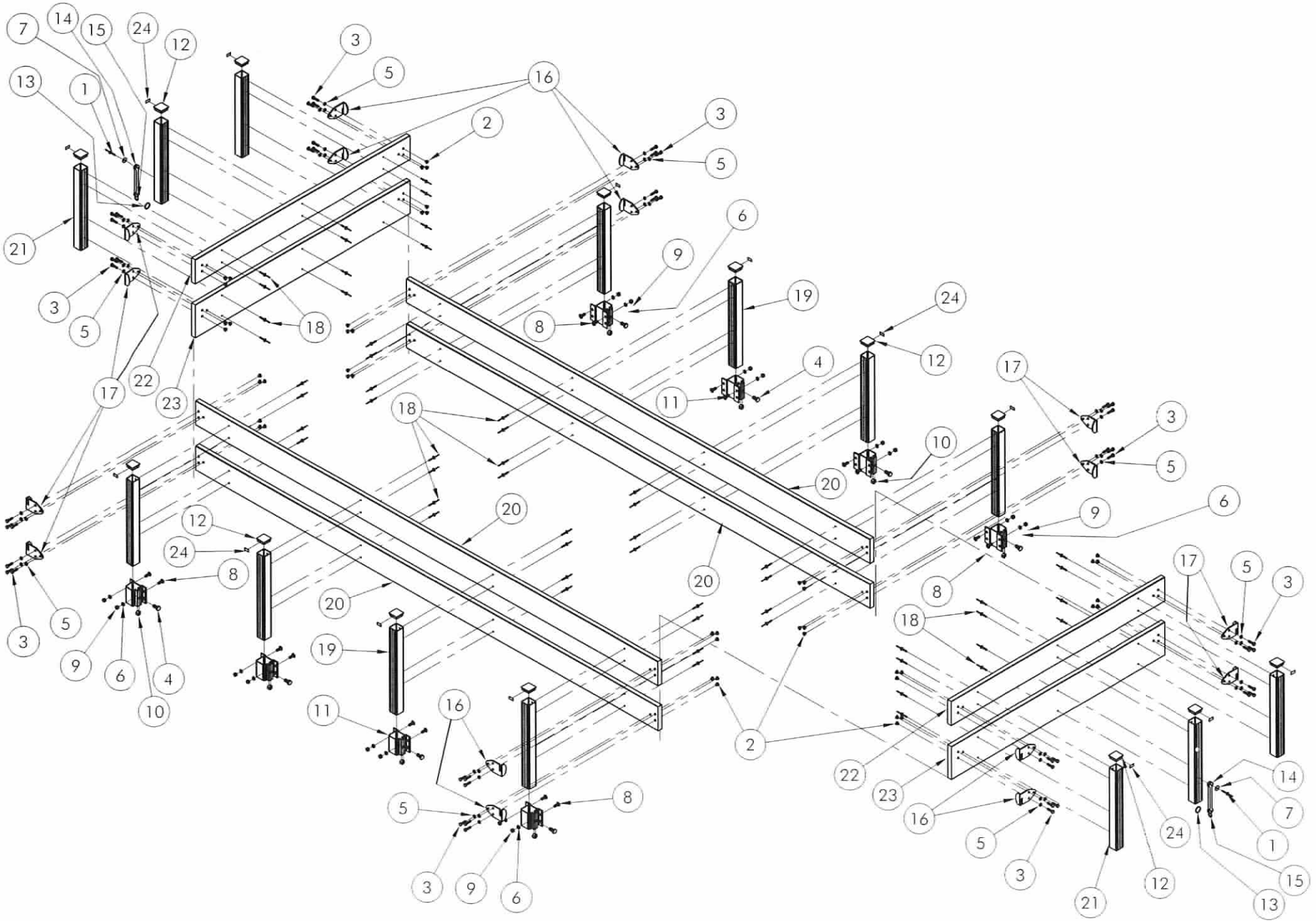


10'-0" SIDE KIT
ASSEMBLY INSTRUCTIONS
P/N 556-10000-00



TOOLS REQUIRED

- (1) 9/16" SOCKET OR WRENCH
- (1) 3/4" SOCKET OR WRENCH
- HAMMER
- CENTER PUNCH
- DRILL
- 1/4" & 29/64" DRILL BITS



1	001-06400-00	2	RIVET, AS616SF 3/16" x 1"
2	001-09200-00	48	T-NUT, 5/16-18 PRONGED
3	001-70057-00	48	HHCS, 5/16-18 x 1 1/4" 18-8 SS
4	001-70205-00	8	HHCS 1/2-13 x 1" 18-8 SS
5	001-71065-00	48	LOCKWASHER, 5/16" SS
6	001-71067-00	16	LOCKWASHER, 3/8" S/W 18-8 SS
7	001-71209-00	2	FENDER WASHER, 3/16" x 1" SS
8	001-74436-00	16	CB, 3/8-16 x 1" 18-8 SS
9	001-76349-00	16	NUT, 3/8-16 ALUMINUM
10	001-76350-00	8	NUT, 1/2-13 ALUMINUM
11	002-02103-00	8	POCKET, STAKE (OUTSIDE)
12	006-12200-00	14	CAPLUG, 2" SQ. x .125 WALL
13	009-02700-00	2	RING, KEY SS
14	009-04900-00	2	STRAP, SG RUBBER
15	009-05100-00	2	HOOK, SG RURRER STRAP
16	017-02000-00	8	CONNECTOR, STAKE RACK (RH) ZINC (MARKED WITH AN "L")
17	017-02200-00	8	CONNECTOR, STAKE RACK (LH) ZINC (MARKED WITH AN "R")
18	001-07000-00	56	RIVET, AS622SF 3/16" x 1 3/8"
19	911-02703-00	8	TUBE 2" x 2" x .125 x 19"
20	008-00001-00	4	CEDAR 5/4 x 6" x 10'-0"
21	911-02702-00	6	TUBE 2" x 2" x .125 x 18"
22	008-00000-00	2	CEDAR 5/4 x 6" x 4'-8"
23	008-00002-00	2	CEDAR 5/4 x 8" x 4'-8"
24	018-00900-00	14	TAPE, 1/2" x 1"

STEP 1

- Adjust stake pocket to 1" below bottom board, center side panel assembly on trailer side and center punch (2) top holes per stake pocket. Remove side panel and drill with 1/4" drill bit. Now enlarge holes with a 29/64" drill bit.
- Mount side panel assembly with (8) 3/8" x 1" carriage bolts, lockwashers and nuts. Install bolt from inside of trailer pointing out. You may need to tap the carriage bolt head while tightening to ensure proper torque. See Fig. 1A

STEP 2

- Install the opposite side assembly the same as Step 1.

STEP 3

- With both side assemblies attached to the trailer you may now install the front and rear gates. (The only difference between the front & rear gate is the placement of the bungie strap. The longer extended bungie is the rear gate and the shorter one is the front.) Install the front key ring on the first loop of the slide clamp safety chain. Install the front gate and attach the bungie hook into the key ring.

STEP 4

- To install the rear key ring, find the center of the rear bumper (side to side) and mark the lower flange. Then measure in 3/8" on the centerline and center punch. Drill a 1/4" hole and install key ring thru hole. Install rear gate and attach the bungie hook into the key ring. See Fig. 2

WARNING: DO NOT STRAP OR ATTACH LOADS TO ANY PART OF THE SIDE KIT. ALL LOADS MUST BE SECURED TO THE TRAILER BED ONLY.

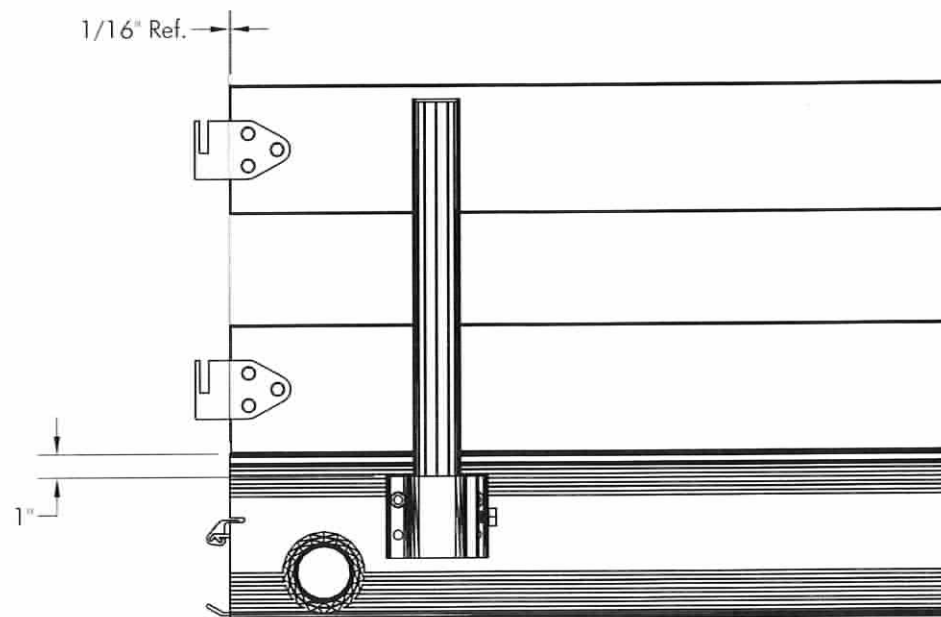


Fig. 1

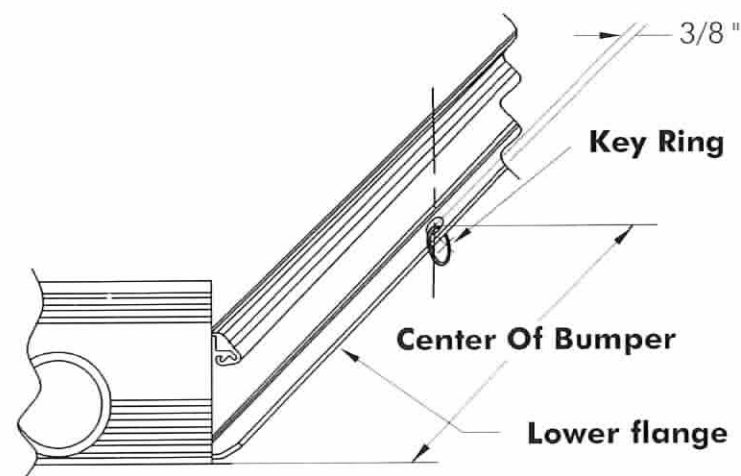


Fig. 2