

MOTORCYCLE WHEEL CHOCK

ASSEMBLY INSTRUCTIONS
P/N 551-53500-00

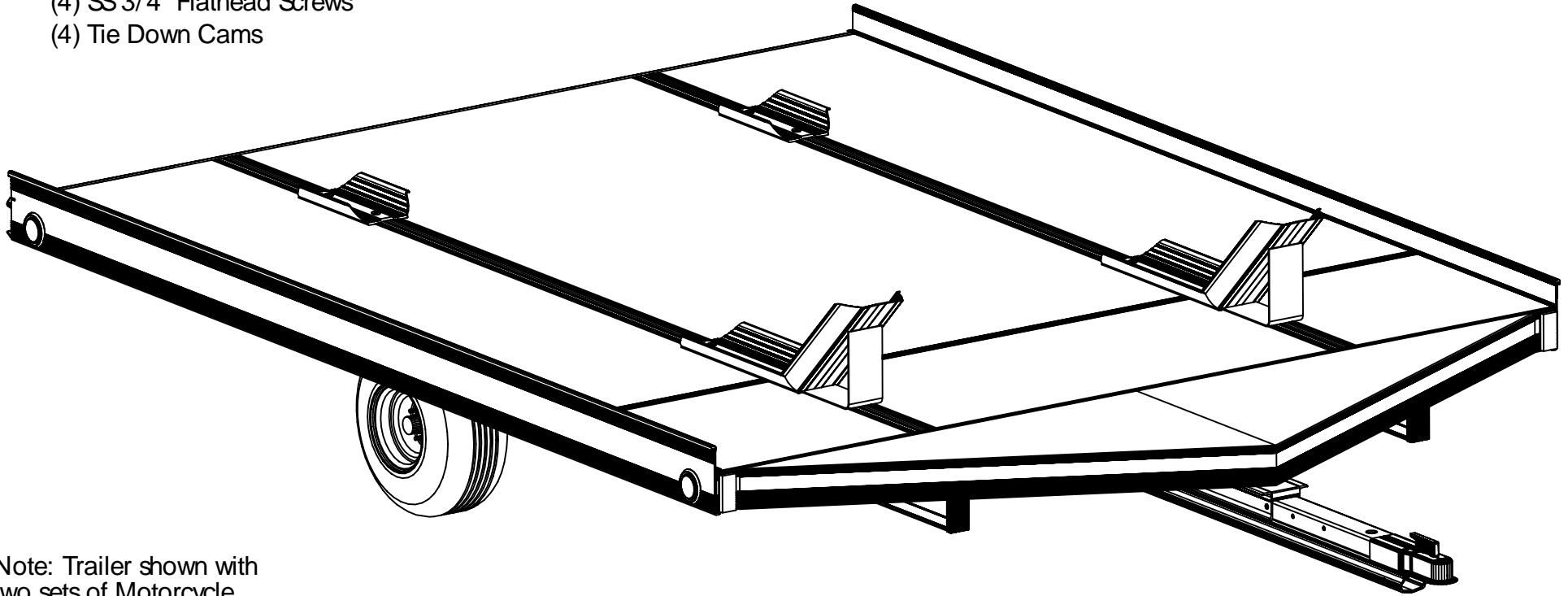
Tools Required:

5/16" Allen Wrench



Included Hardware:

- (1) Front Wheel Chock
- (1) Rear Wheel Chock
- (4) SS 3/4" Flathead Screws
- (4) Tie Down Cams



Note: Trailer shown with
two sets of Motorcycle
Wheel Chocks



1. Insert the tie down cams into the tiedown track. Place the wheel chocks over the tie down track and line up the tie down cams with the 3/4" holes in the wheel chocks. Thread the 3/4" flathead screws through the wheel chocks into the cams. Do not tighten.

2. Determine the wheelbase of your motorcycle and center (front to back) at the appropriate distance. Torque the flathead screws to 50 ft/lbs.

