

FLOE Trailer Tilt Assist Assembly Instructions

1. Measure from rear (pivoting end) of tongue forward 14 1/2" and drill a 1/8" pilot hole 23/32" from the bottom of the tongue thru both sides. See Fig 1A and Fig 1B. Drill 33/64" (1/2" will also work) hole thru the pilot hole.

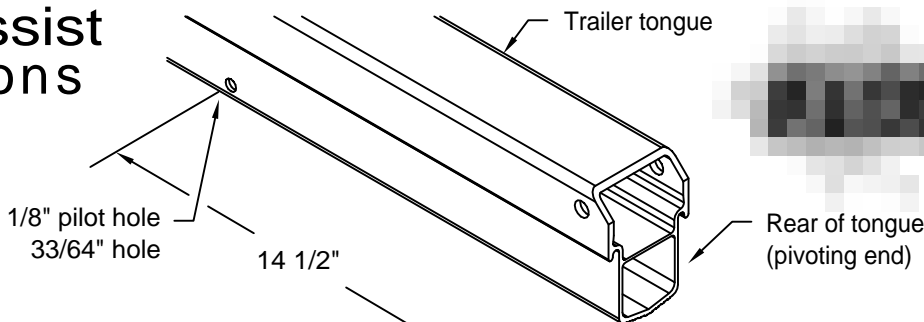


Fig. 1A

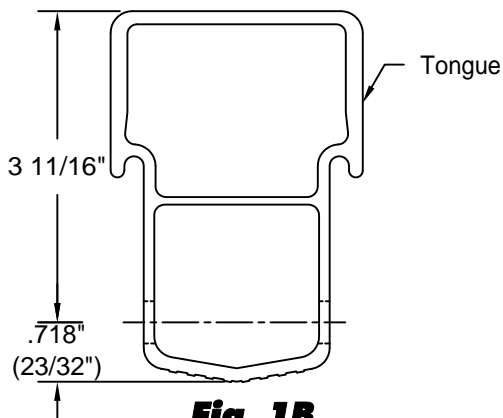


Fig. 1B

2. Insert the tilt assist stud thru the hole in the tongue that was drilled in step 1. Fasten lock washers and ball stud as shown in Fig. 2. Torque to 25 ft/lbs.

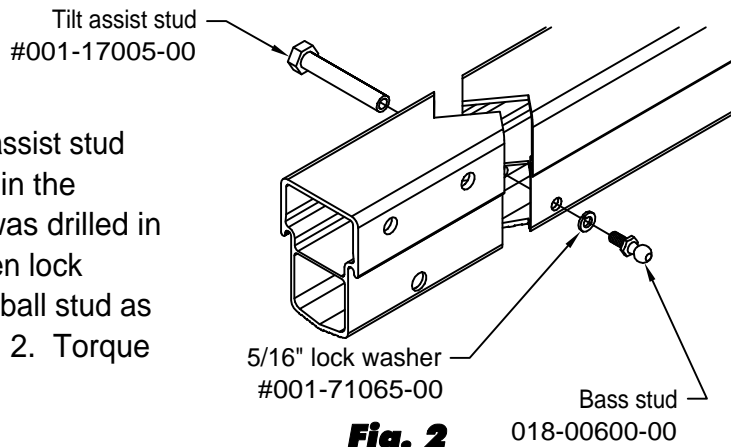


Fig. 2

3. Attach the tilt assist clamp to the lip of the tongue mount 9 5/8" from the front of the tongue mount as shown in Fig 3. Torque the 5/16" bolts to 35 ft/lbs.

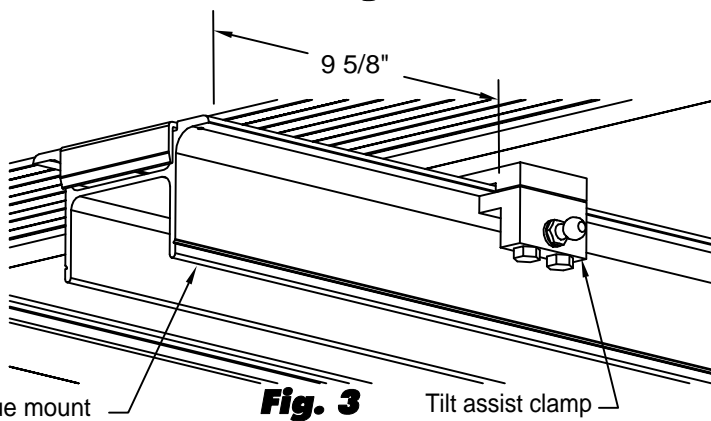


Fig. 3

4. Tilt the tongue away from the trailer bed so the gas spring can be snapped onto the two ball studs. Attach safety clips as shown. See Fig 4A and 4B.

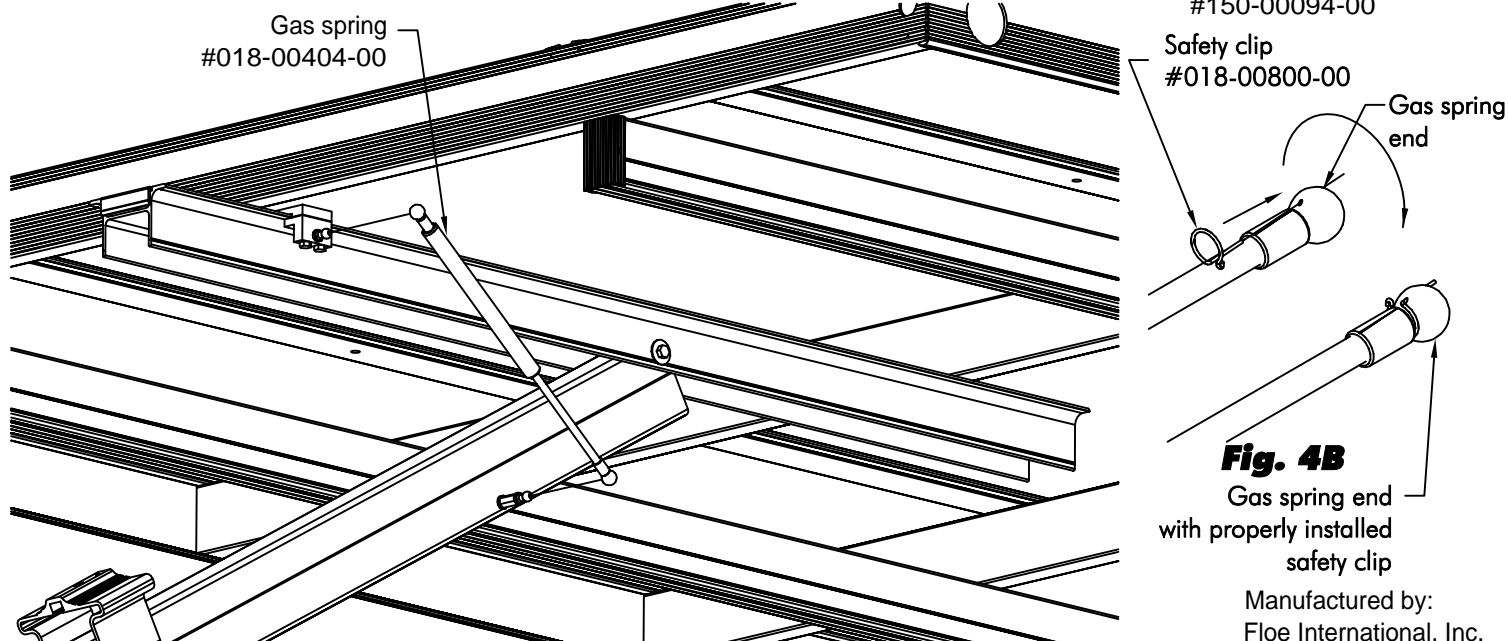


Fig. 4B

Gas spring end with properly installed safety clip

Manufactured by:
Floe International, Inc.
48473 State Hwy 65
McGregor, MN 55760