

FLOE VERSA-LOCK

ASSEMBLY INSTRUCTIONS

P/N 651-02500-00

1. Slide spacer tube and handle over threaded rod. Thread 1/2" nut down to handle and tighten so handle is perpendicular (90°) to tie down lock. Torque to 60 ft/lbs. See Fig. 1.

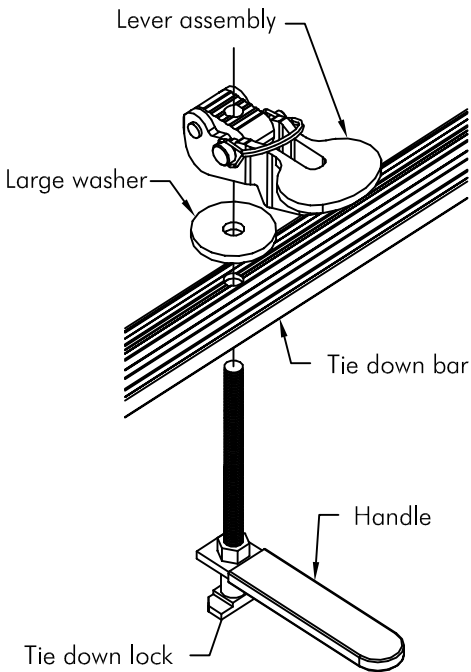


Fig. 2

2. Insert threaded rod through tie down bar from the bottom. The tie down lock and handle assembly should be on the bottom (flat) side of bar. Slide the large washer over rod. Screw the lever assembly onto the rod until 1" of thread is sticking out the top of lever assembly. See Fig. 2.

3. Before using the Versa-Lock to secure a load, read and understand the instructions on how to use it.

WARNING: Failure to read the Versa-Lock use instructions prior to using it could result in severe damage to the cargo it is meant to hold, could cause a road hazard or even death.

Manufactured by:
Floe International, Inc.
48473 State Hwy 65
McGregor, MN 55760

+ FLOE VERSA-LOCK

ASSEMBLY INSTRUCTIONS

P/N 651-02500-00

1. Slide spacer tube and handle over threaded rod. Thread 1/2" nut down to handle and tighten so handle is perpendicular (90°) to tie down lock. Torque to 60 ft/lbs. See Fig. 1.

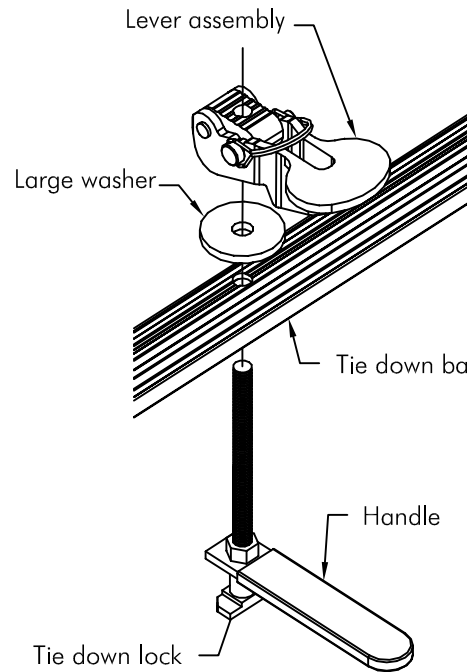


Fig. 2

2. Insert threaded rod through tie down bar from the bottom. The tie down lock and handle assembly should be on the bottom (flat) side of bar. Slide the large washer over rod. Screw the lever assembly onto the rod until 1" of thread is sticking out the top of lever assembly. See Fig. 2.

3. Before using the Versa-Lock to secure a load, read and understand the instructions on how to use it.

WARNING: Failure to read the Versa-Lock use instructions prior to using it could result in severe damage to the cargo it is meant to hold, could cause a road hazard or even death.

Manufactured by:
Floe International, Inc.
48473 State Hwy 65
McGregor, MN 55760