

# **FLOE 100" WIDE TILT TRAILER RAMP**

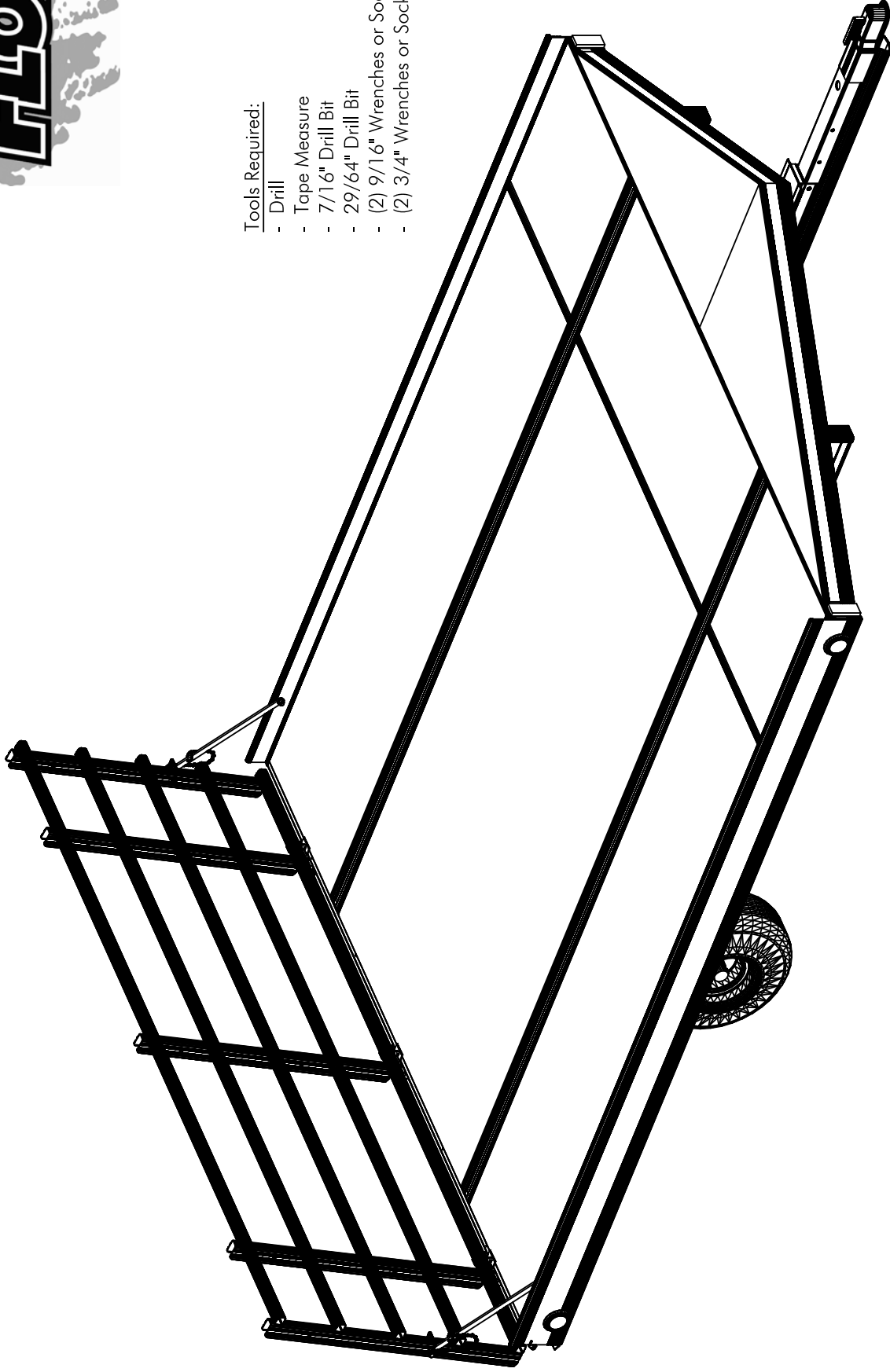
**P/N: 549-00516-00**

## **ASSEMBLY INSTRUCTIONS**



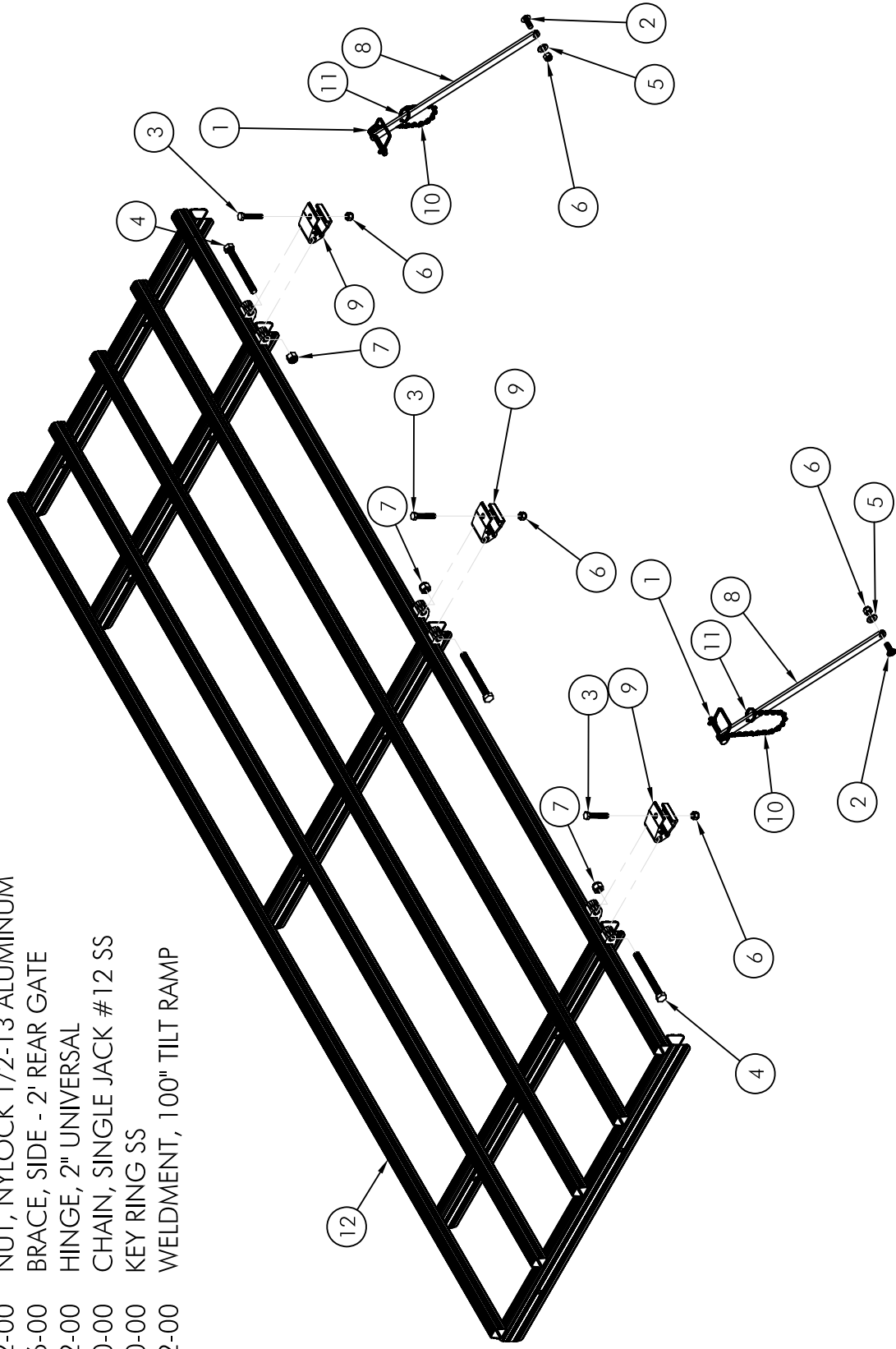
### Tools Required:

- Drill
- Tape Measure
- 7/16" Drill Bit
- 29/64" Drill Bit
- (2) 9/16" Wrenches or Sockets
- (2) 3/4" Wrenches or Sockets



# 100" WIDE TILT TRAILER RAMP EXPLODED VIEW

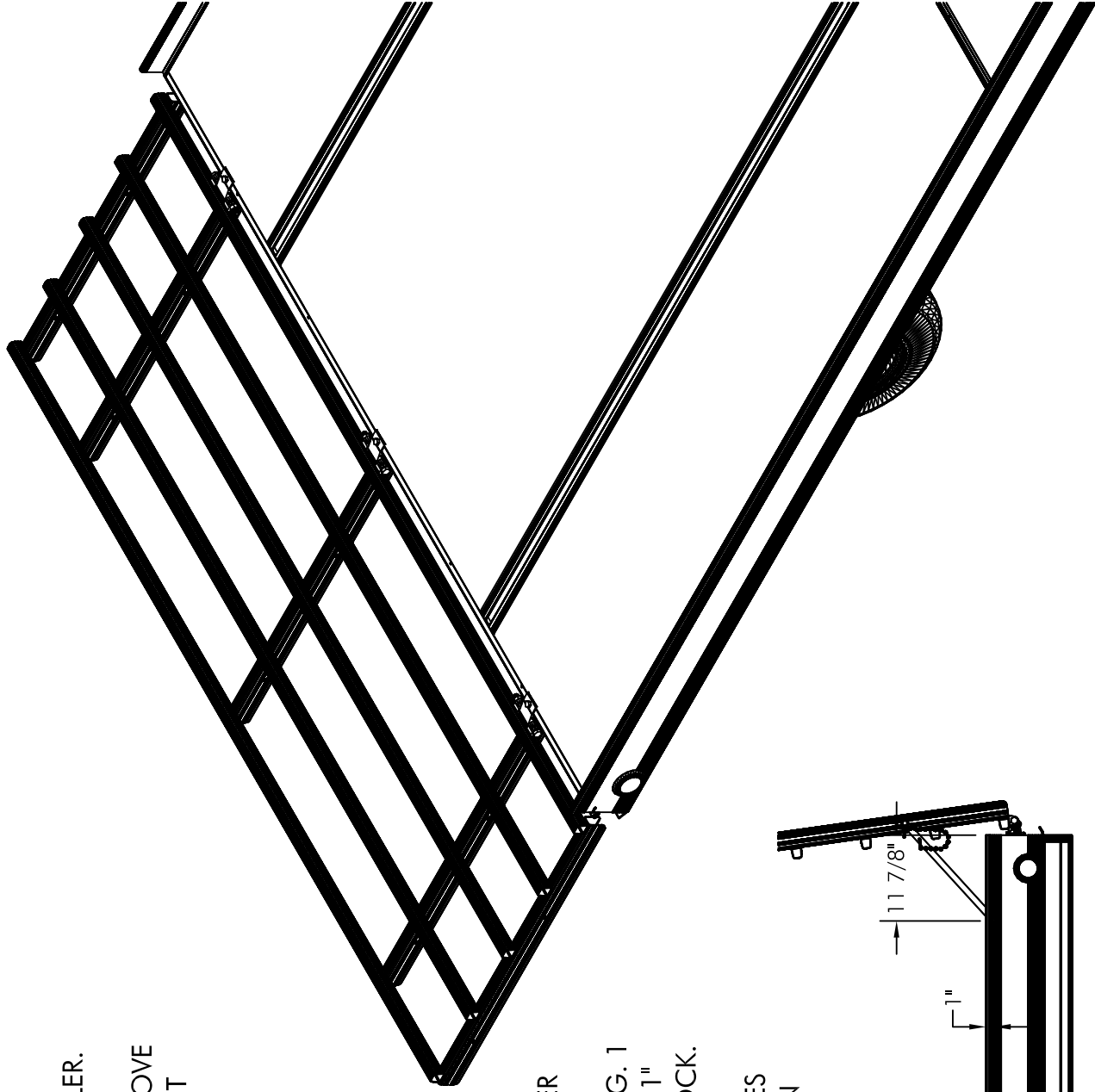
ITEM	QTY.	PART NO.	DESCRIPTION
1	2	001-26727-00	PIN, SAFETY SNAP - 3/8" x 2 1/4"
2	2	001-74436-00	CB, 3/8-16 x 1" 18-8 SS
3	3	001-70111-00	HHCS, 3/8-16 x 2" 18-8 SS
4	3	001-70223-00	HHCS, 1/2-13 x 5" 18-8 SS
5	2	001-71017-00	FLATWASHER, 3/8" SAE SS 18-8
6	5	001-76071-00	NUT, NYLOCK 3/8-16 ALUMINIUM
7	3	001-76072-00	NUT, NYLOCK 1/2-13 ALUMINIUM
8	2	002-01666-00	BRACE, SIDE - 2' REAR GATE
9	3	002-09052-00	HINGE, 2" UNIVERSAL
10	1	004-03800-00	CHAIN, SINGLE JACK #12 SS
11	2	009-02700-00	KEY RING SS
12	1	149-00512-00	WELDMENT, 100" TILT RAMP



# ***INSTALLATION INSTRUCTIONS:***

## **Step 1**

SLIDE RAMP UNTO BACK RAIL OF TRAILER. ALIGN CENTER OF CENTER HINGE WITH CENTER OF TRAILER. MARK CENTER OF HOLE OF HINGE. ALSO MARK CENTER OF HOLES IN THE OUTSIDE HINGES. REMOVE RAMP AND DRILL (3) 7/16" Ø HOLES THROUGH JUST THE TOP RAIL OF THE BACK RAIL OF THE TRAILER. SLIDE THE RAMP BACK ON THE AND ATTACH WITH (3) 3/8 x 2" BOLTS W/ (3) NYLOCK NUTS



## **Step 2**

DRILL (1) 29/64" Ø THRU EACH SIDE OF THE TRAILER FOR THE SIDE BRACES 1" FROM THE TOP OF THE TRAILER SIDE AND 1 7/8" FROM THE BACK. SEE FIG. 1 FOR HOLE LOCATION. FASTEN BRACE W/(1) 3/8 x 1" CARRIAGE BOLT, 3/8" FLATWASHER & (1) 3/8" NYLOCK. REPEAT PROCEDURE ON OTHER SIDE OF TRAILER. RAISE THE RAMP UNTIL THE HOLE IN THE RAMP LINES UP WITH THE HOLE IN THE BRACE & INSERT THE PIN INCLUDED WITH SIDE BRACE.

Fig. 1