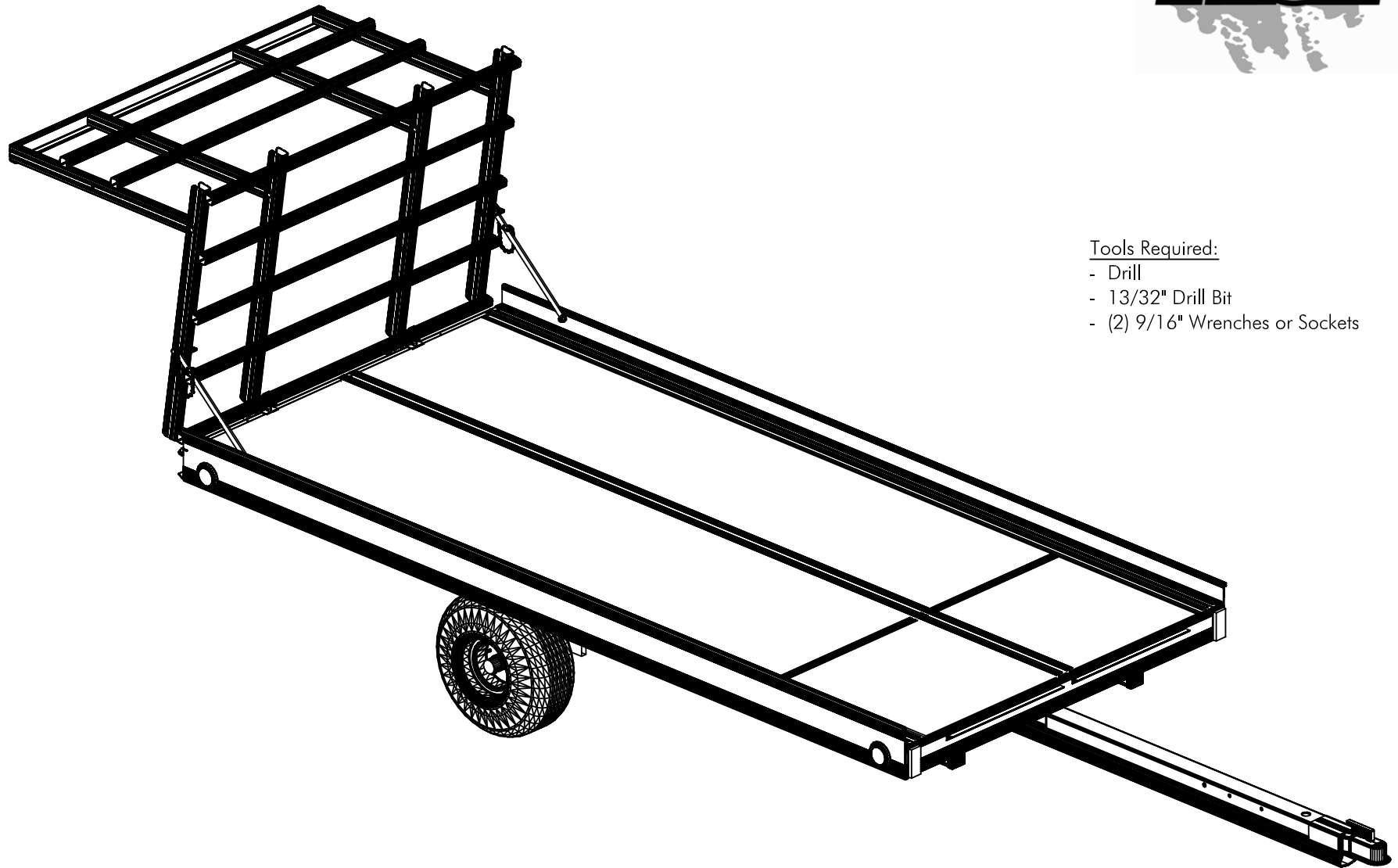


FLOE 54" BI-FOLD ADD-ON RAMP

P/N: 549-00510-00

ASSEMBLY INSTRUCTIONS

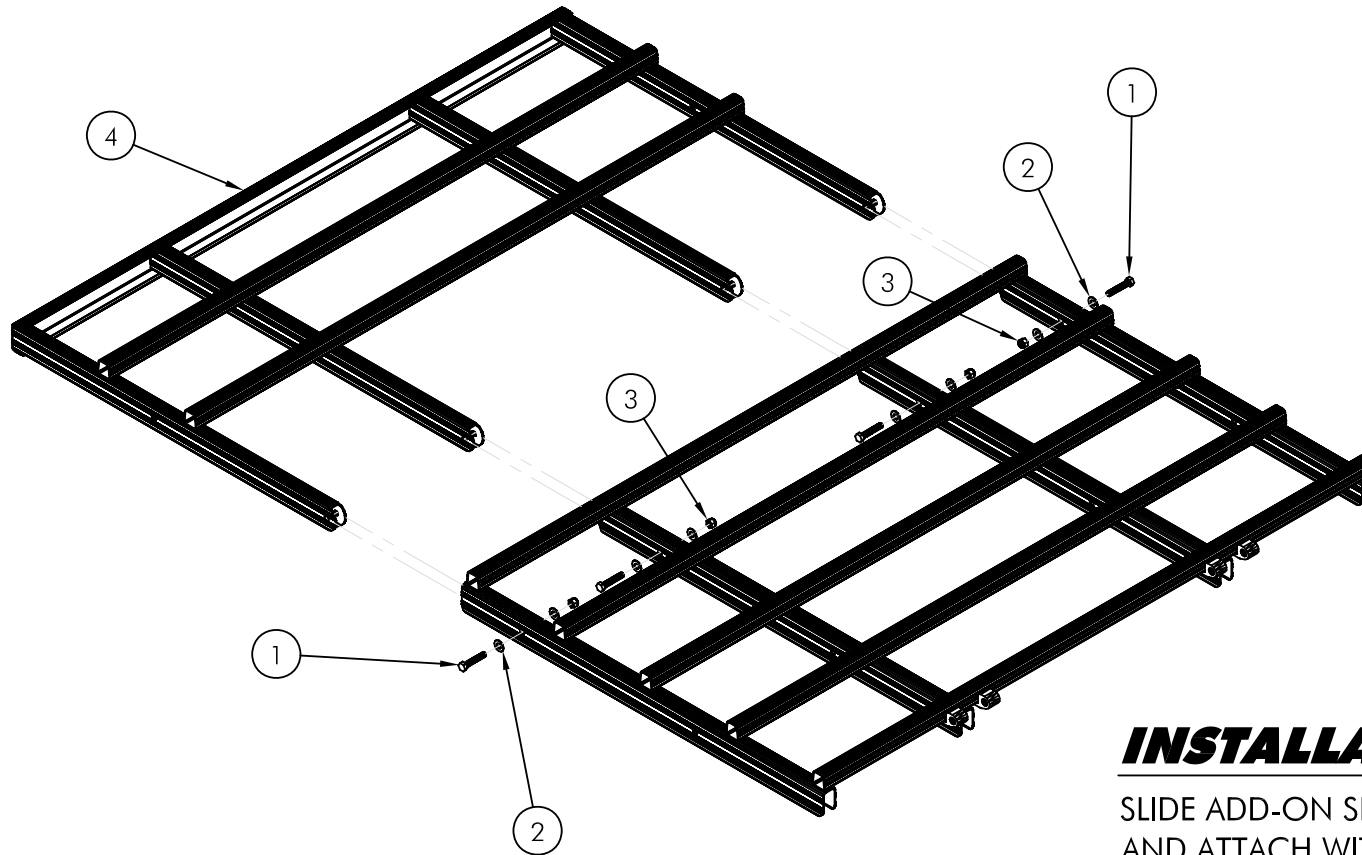


Tools Required:

- Drill
- 13/32" Drill Bit
- (2) 9/16" Wrenches or Sockets

54" BI-FOLD ADD-ON RAMP EXPLODED VIEW

ITEM	QTY.	PART NO.	DESCRIPTION
1	4	001-70111-00	HHCS, 3/8-16 x 2" 18-8 SS
2	8	001-71017-00	FLATWASHER, 3/8" SAE SS 18-8
3	4	001-76071-00	NUT, NYLOCK 3/8-16 ALUMINUM
4	1	149-00510-00	WELDMENT, 54" UPPER RAMP



INSTALLATION INSTRUCTIONS:

SLIDE ADD-ON SECTION INTO LOWER RAMP SECTION AND ATTACH WITH (4) 3/8 x 2" BOLTS, (8) 3/8" FLAT WASHERS, & (4) NYLOCK NUTS. FOLD RAMP AND DRILL HOLE FOR BRACE SUPPORT WITH 13/32" DRILL BIT.