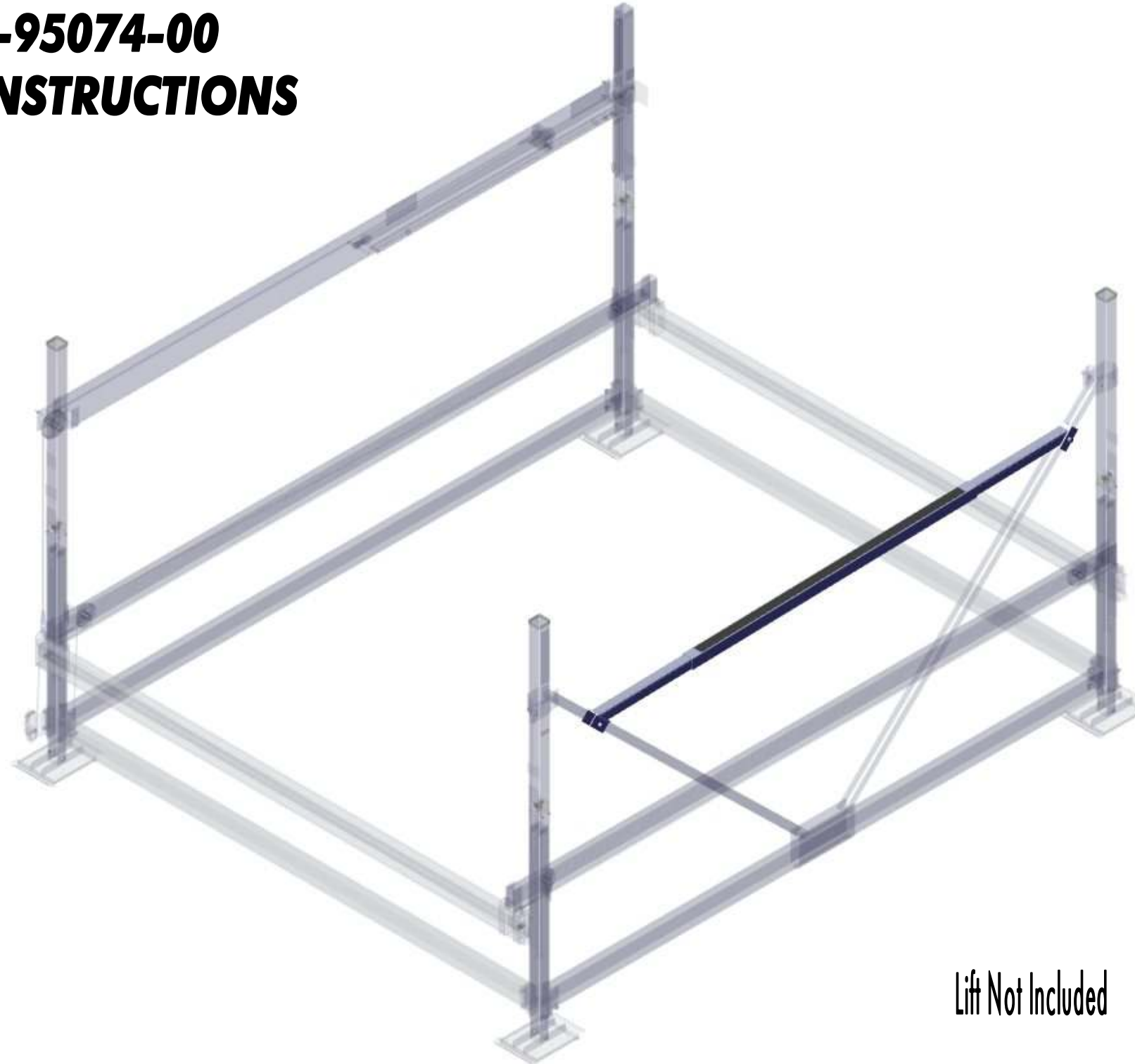


FLOE VSD 5000 PONTOON BOAT LIFT STEP
P/N 511-95074-00
ASSEMBLY INSTRUCTIONS



- TOOLS REQUIRED**
- 3/4" Wrench
(or 3/4" Socket & Ratchet)
 - 5/16" Hex Key
 - 5/16" Hex Socket Bit
 - Torque Wrench
 - Tape Measure

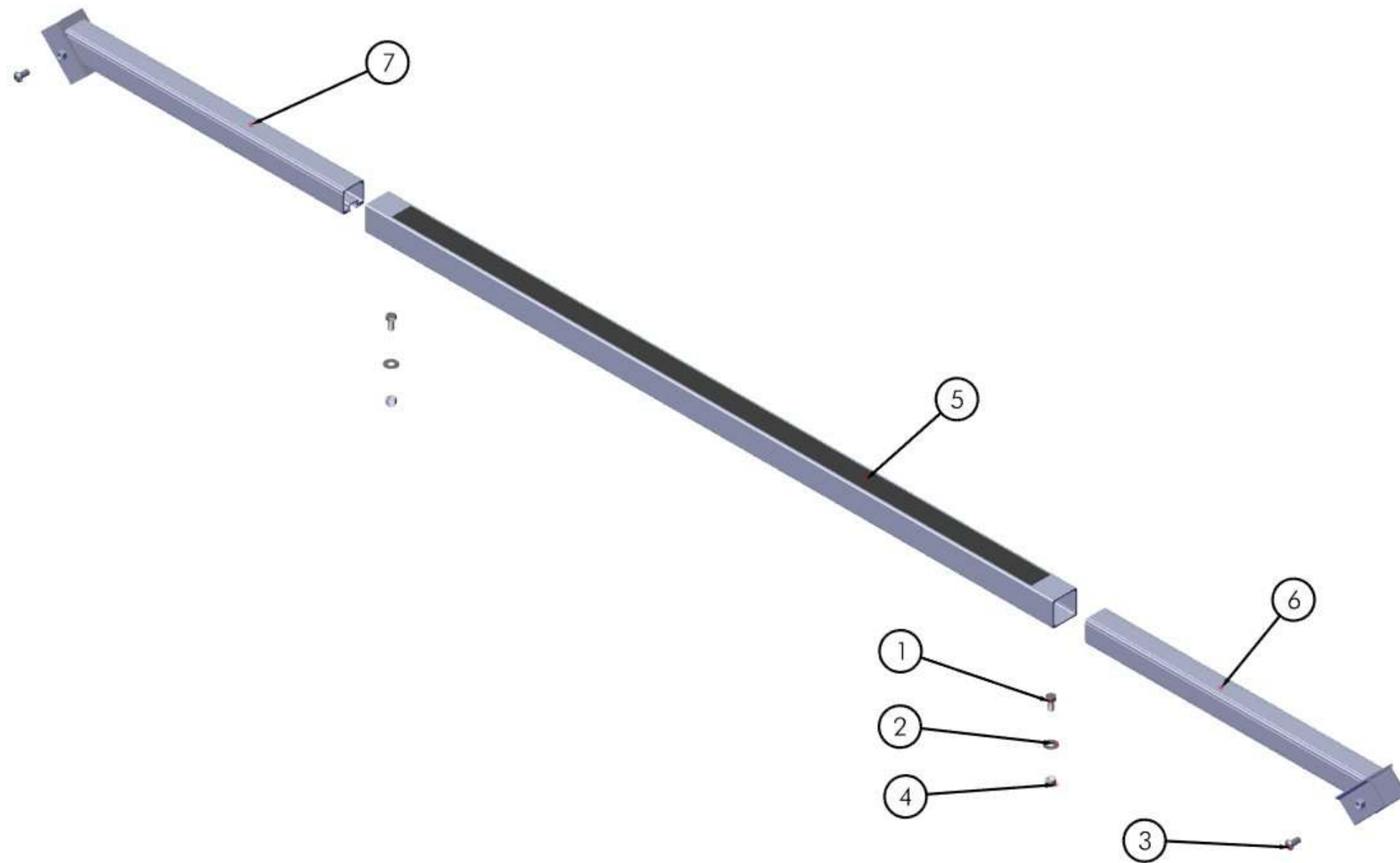
Lift Not Included

Sheet 1 of 6

Instructions
P/N 611-95074-00
Issued 4/20/17

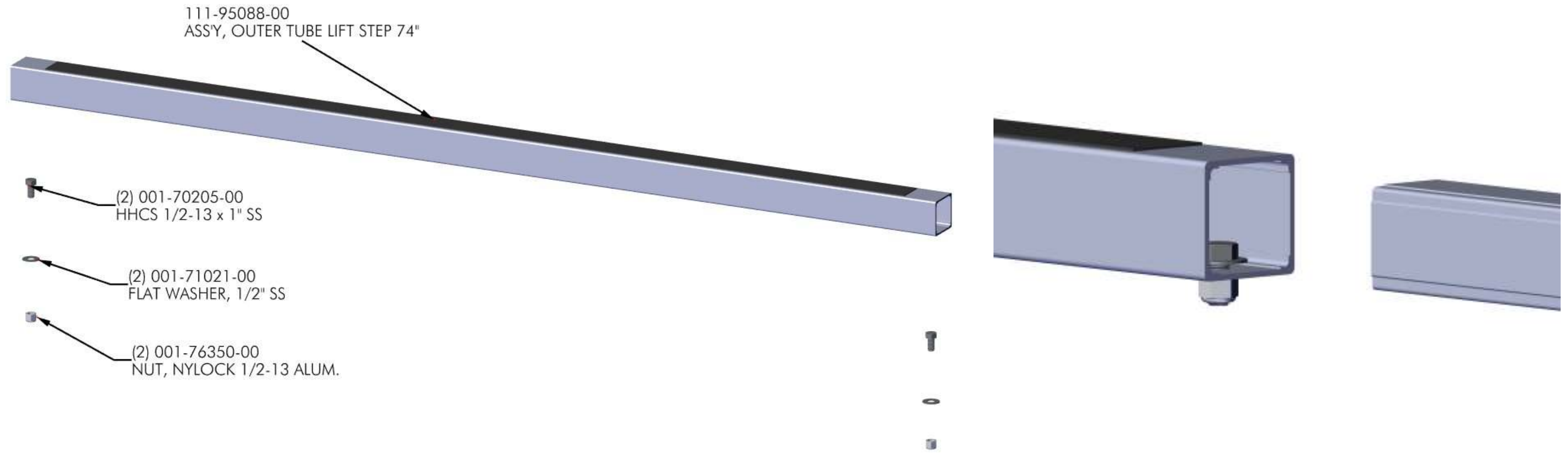
©Manufactured by:
Floe International Inc.
48473 State Hwy. 65
McGregor, MN
55760
www.floeintl.com

5000 PONTOON BOAT LIFT STEP EXPLODED



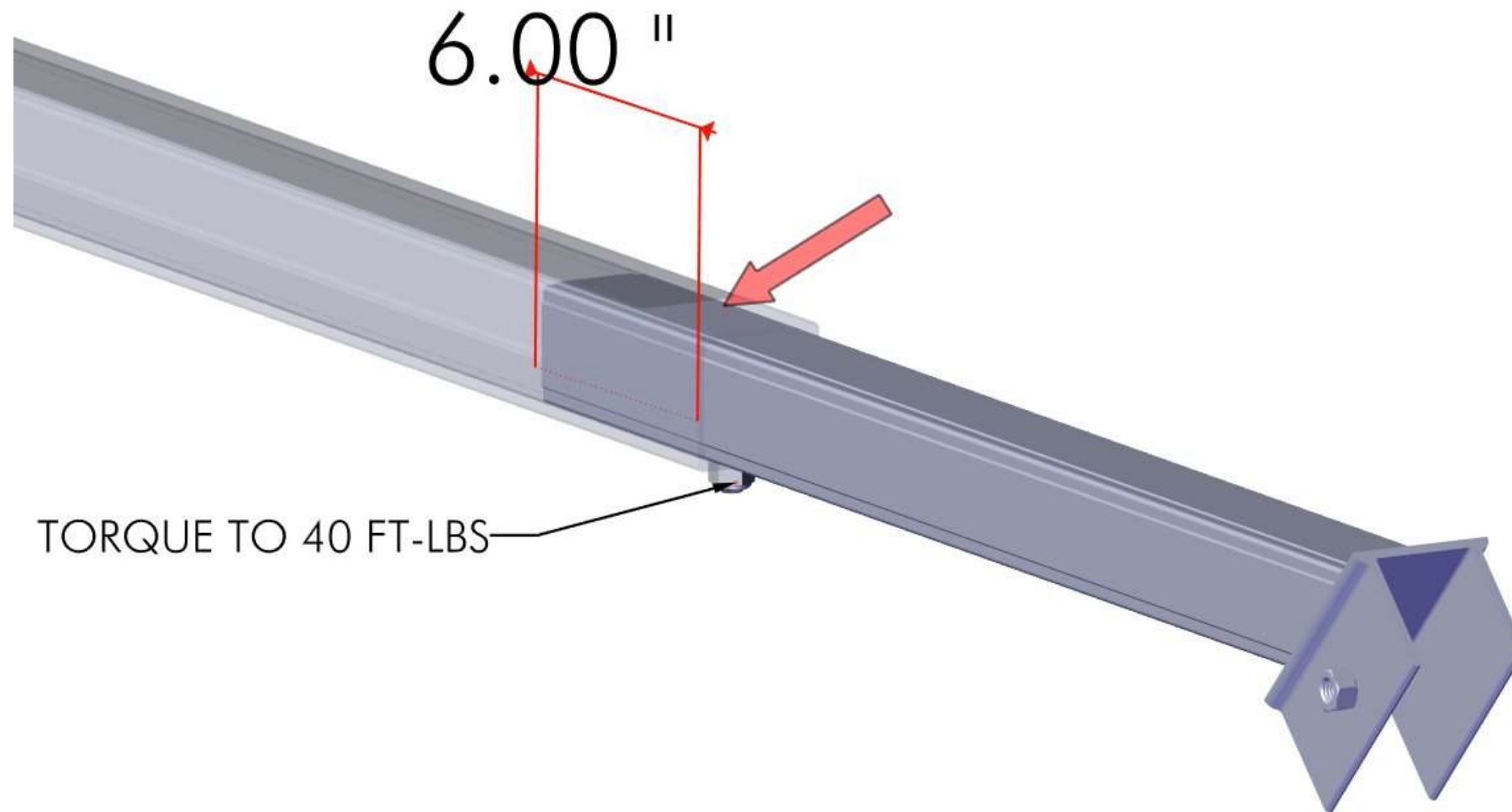
STEP, 5000 PONTOON BOAT LIFT			
P/N 511-95074-00			
<u>NO.</u>	<u>PART NUMBER</u>	<u>QTY.</u>	<u>DESCRIPTION</u>
1	001-70205-00	2	HHCS, 1/2-13 x 1" 18-8 SS
2	001-71021-00	2	FLAT WASHER, 1/2" 18-8 SS
3	001-73834-00	2	BHCS, 1/2-13 x 1" 18-8 SS
4	001-76072-00	2	NUT, NYLOCK 1/2-13 ALUM.
5	111-95088-00	1	ASS'Y, OUTER TUBE LIFT STEP 74"
6	111-95103-00	1	WELD'T, LIFT STEP SUPPORT "A"
7	111-95104-00	1	WELD'T LIFT STEP SUPPORT "B"

STEP 1



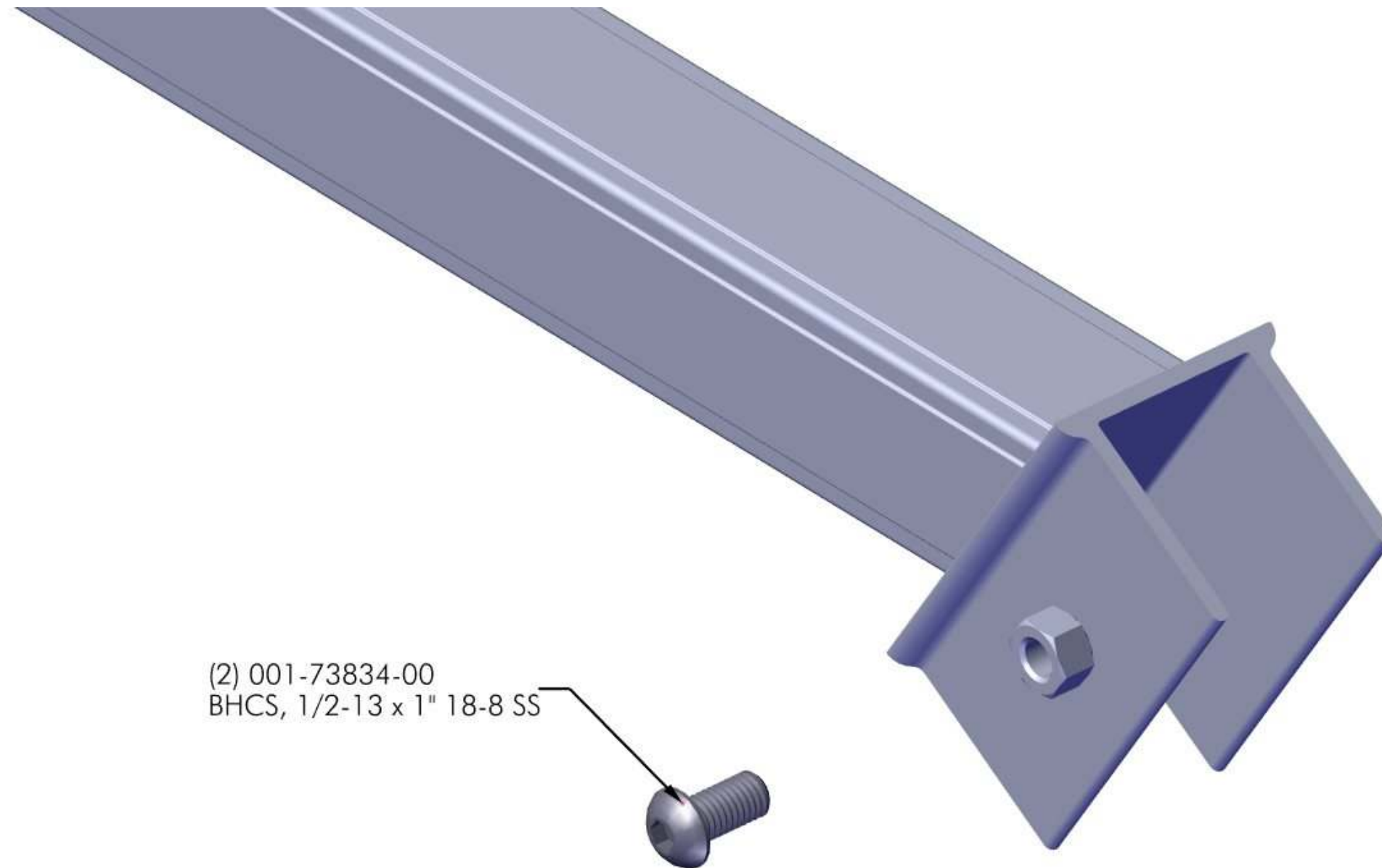
Assemble fasteners (Fig. 1) and align to join inner and outer support brackets (Fig. 2).

STEP 2



Insert inner support brackets while accounting for a minimum of SIX INCHES of overlap.
TORQUE OUTER FASTENERS TO 40 FT-LBS.

STEP 3



TORQUE TO 5 FT/LBS

Insert bolts in each end bracket. Tighten when desired location of lift step is achieved on lift.

TORQUE TO 5 FT-LBS.

DOCKS & LIFTS

