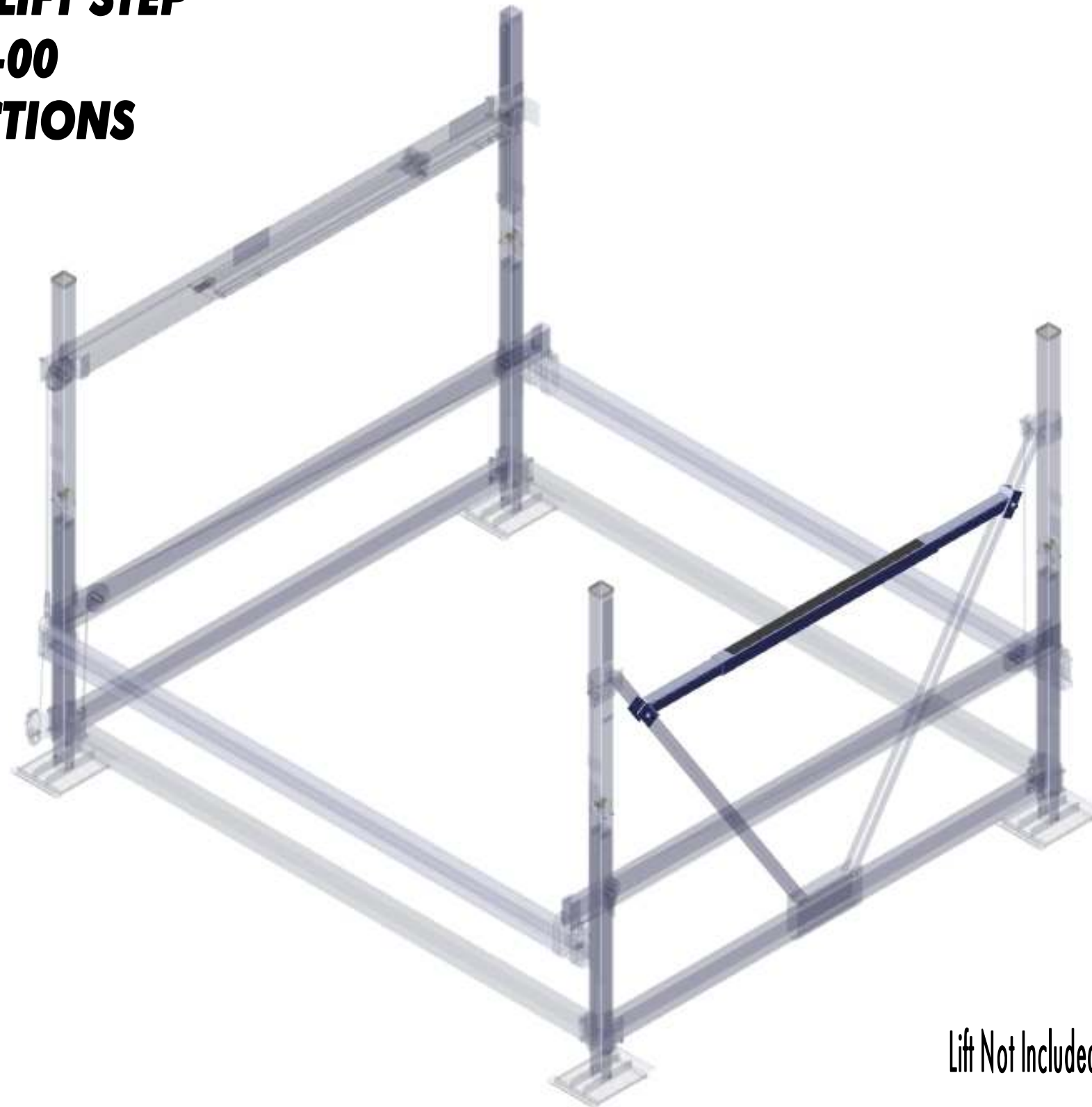


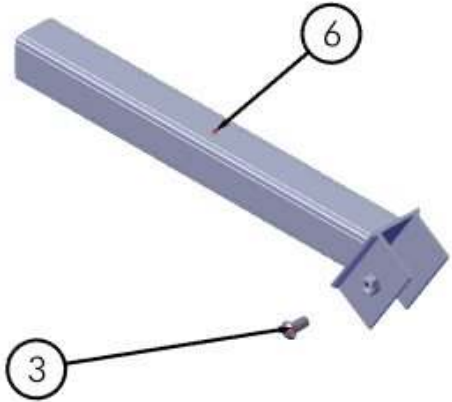
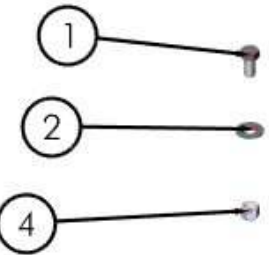
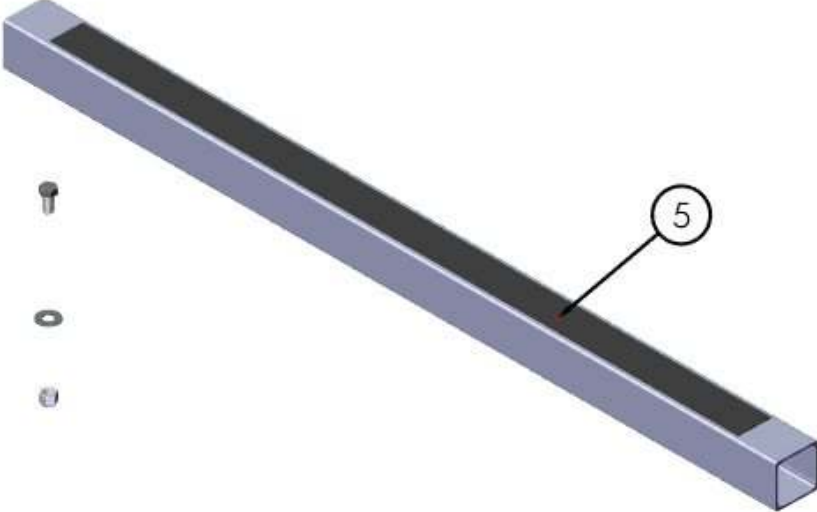
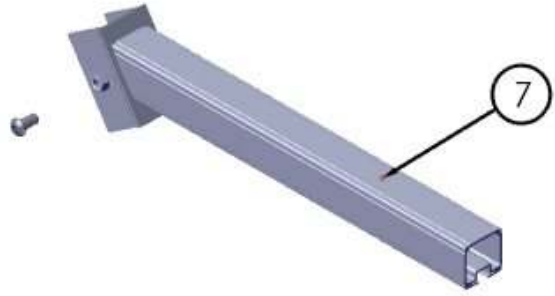
**FLOE VSD 5000 BOAT LIFT STEP**  
**P/N 511-95073-00**  
**ASSEMBLY INSTRUCTIONS**



- TOOLS REQUIRED**
- 3/4" Wrench  
(or 3/4" Socket & Ratchet)
  - 5/16" Hex Key
  - 5/16" Hex Socket Bit
  - Torque Wrench
  - Tape Measure

Lift Not Included

# 5000 LIFT STEP EXPLODED



STEP, 5000 BOAT LIFT			
P/N 511-95073-00			
<u>NO.</u>	<u>PART NUMBER</u>	<u>QTY.</u>	<u>DESCRIPTION</u>
1	001-70205-00	2	HHCS, ½-13 X 1" 18-8 SS
2	001-71021-00	2	FLAT WASHER, ½" 18-8 SS
3	001-73834-00	2	BHCS, ½-13 x 1" 18-8 SS
4	001-76072-00	2	NUT, NYLOCK ½-13 ALUM.
5	111-95095-00	1	ASS'Y, OUTER TUBE LIFT STEP 48"
6	111-95100-00	1	WELD'T, LIFT STEP SUPPORT "A"
7	111-95102-00	1	WELD'T, LIFT STEP SUPPORT "B"

# STEP 1

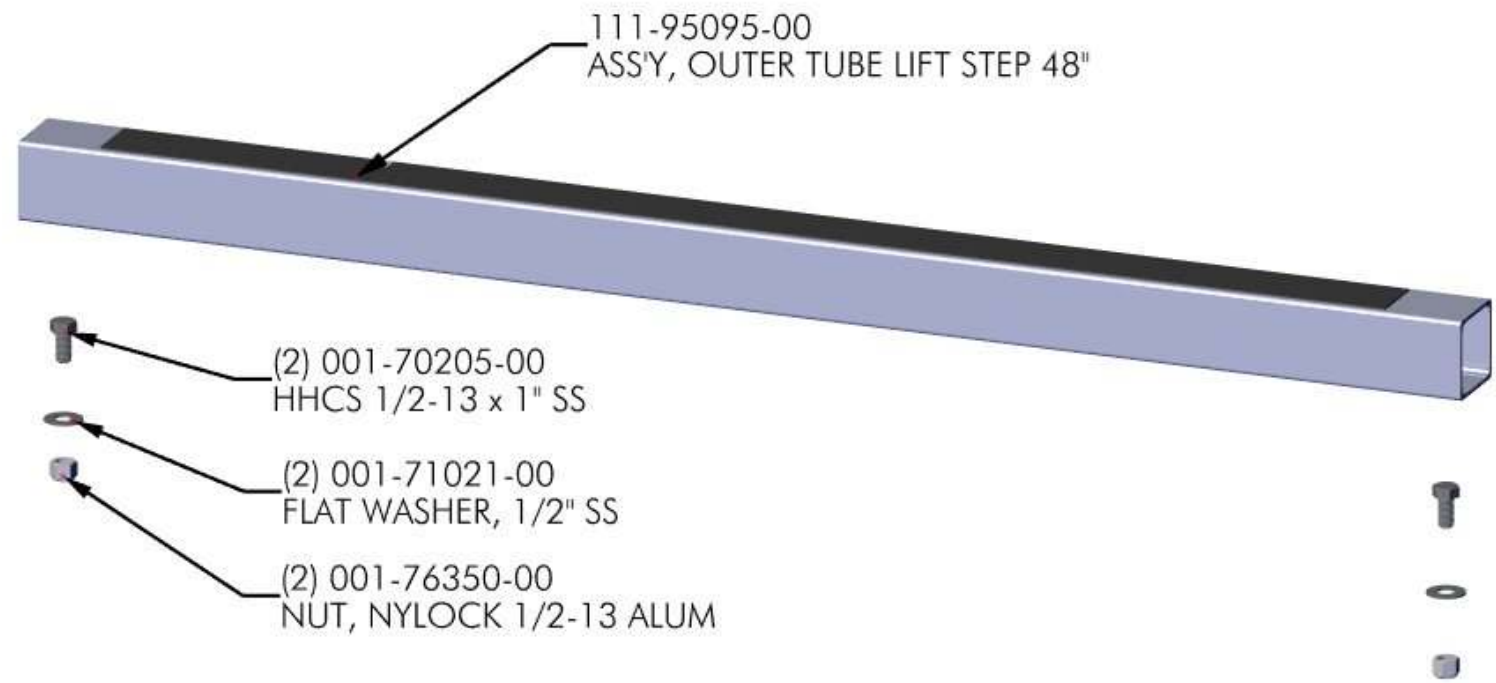


Fig. 1

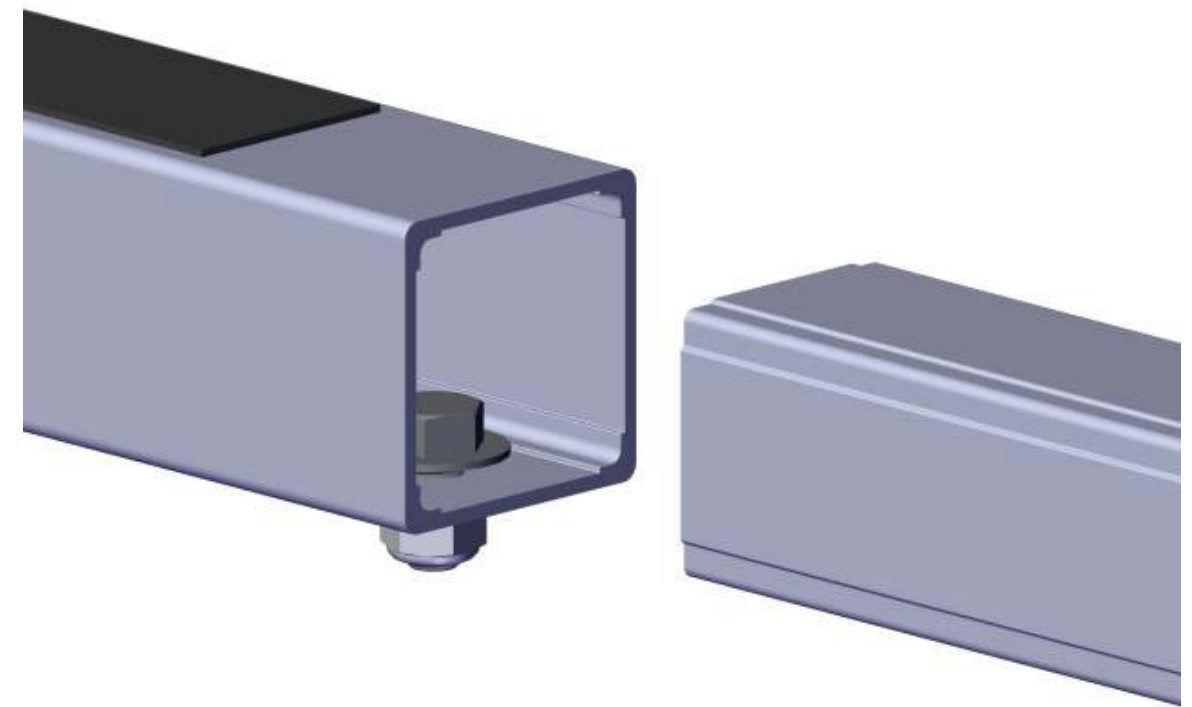
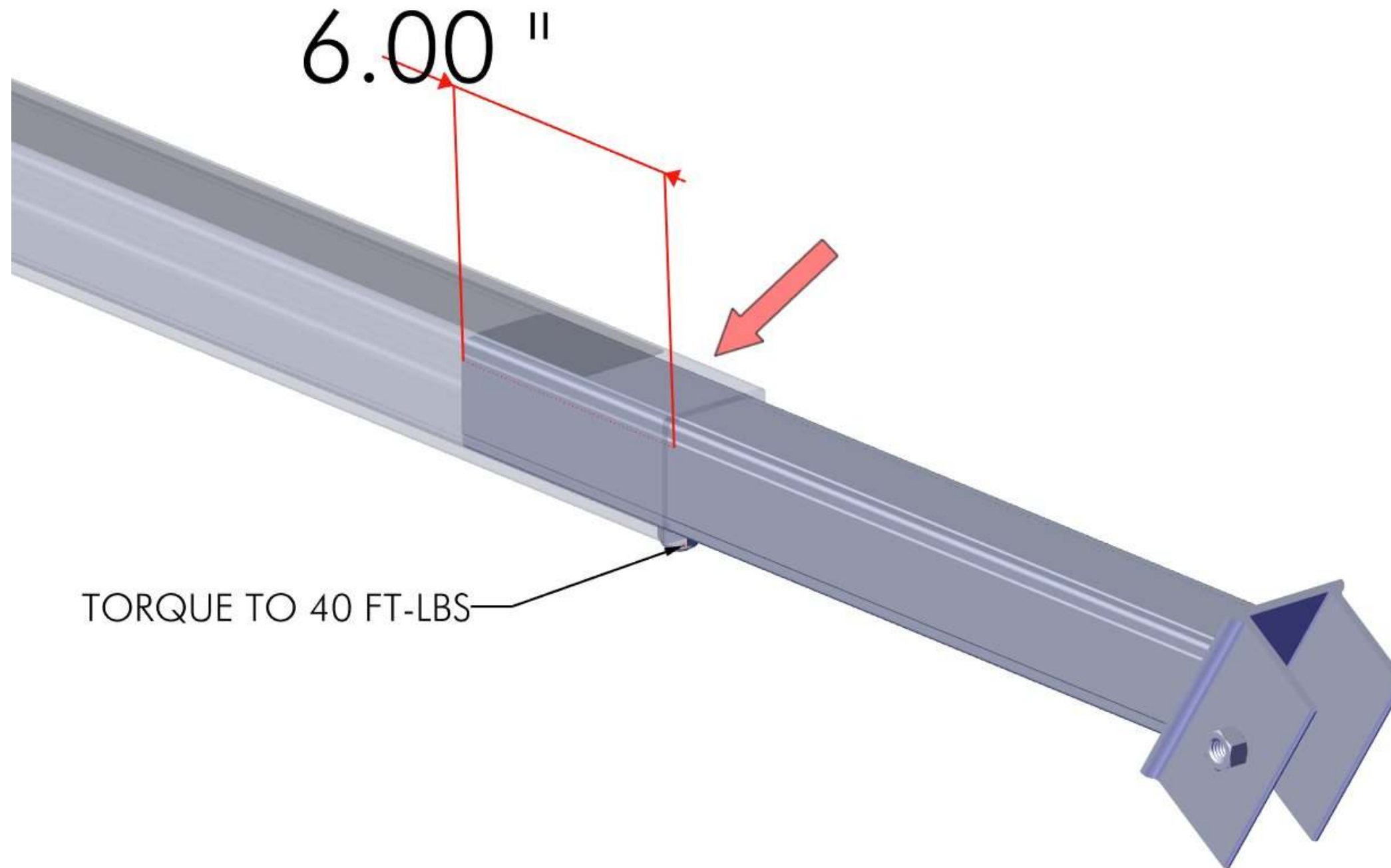


Fig. 2

Assemble fasteners (Fig. 1) and align to join inner and outer support brackets (Fig. 2).

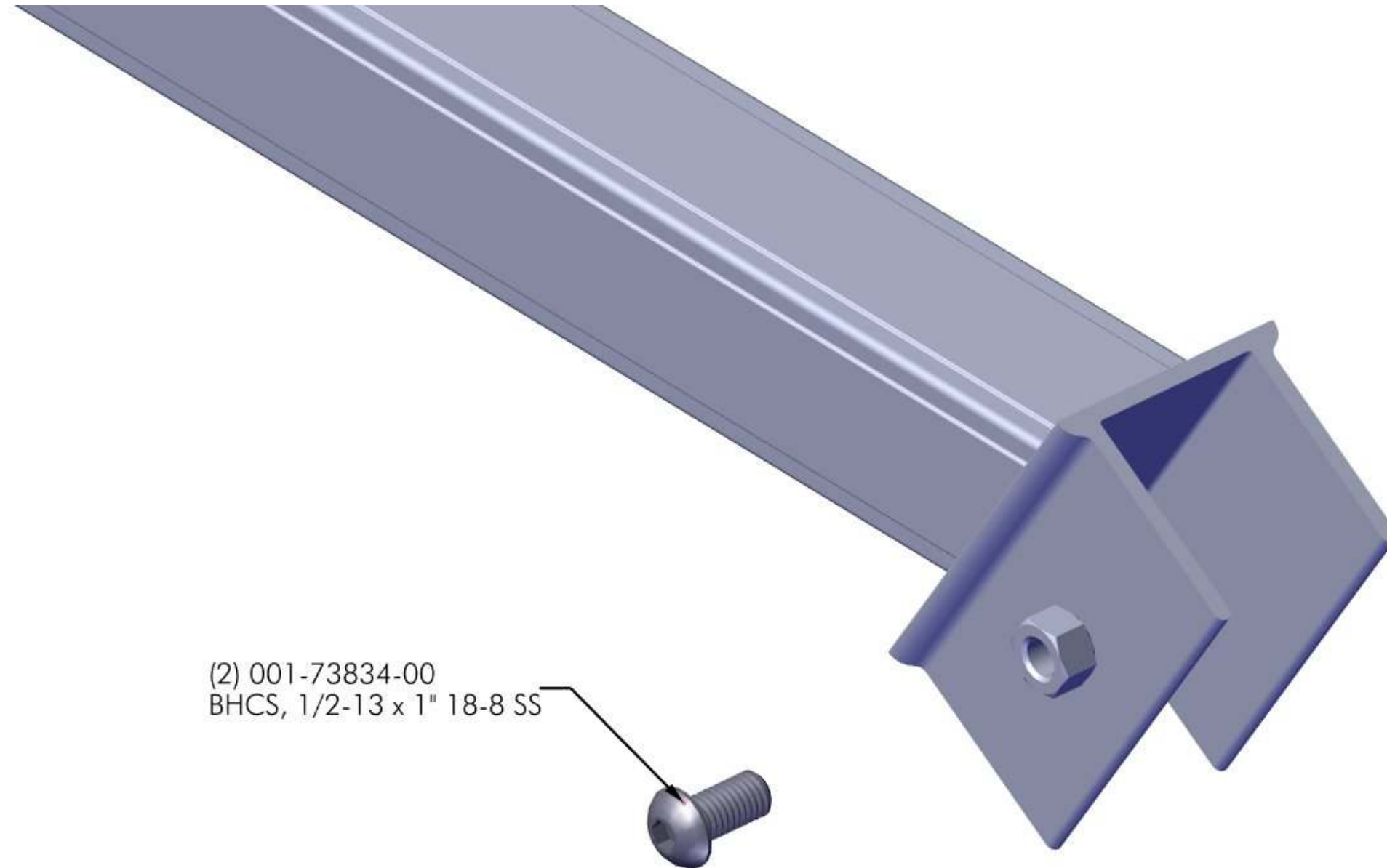
**STEP 2**



TORQUE TO 40 FT-LBS

Insert inner support brackets while accounting for a minimum of SIX INCHES of overlap.  
TORQUE OUTER FASTENERS TO 40 FT-LBS.

### STEP 3



TORQUE TO 5 FT/LBS

Insert bolts in each end bracket. Tighten when desired location of lift step is achieved on lift.  
TORQUE TO 5 FT-LBS.



**DOCKS & LIFTS**

