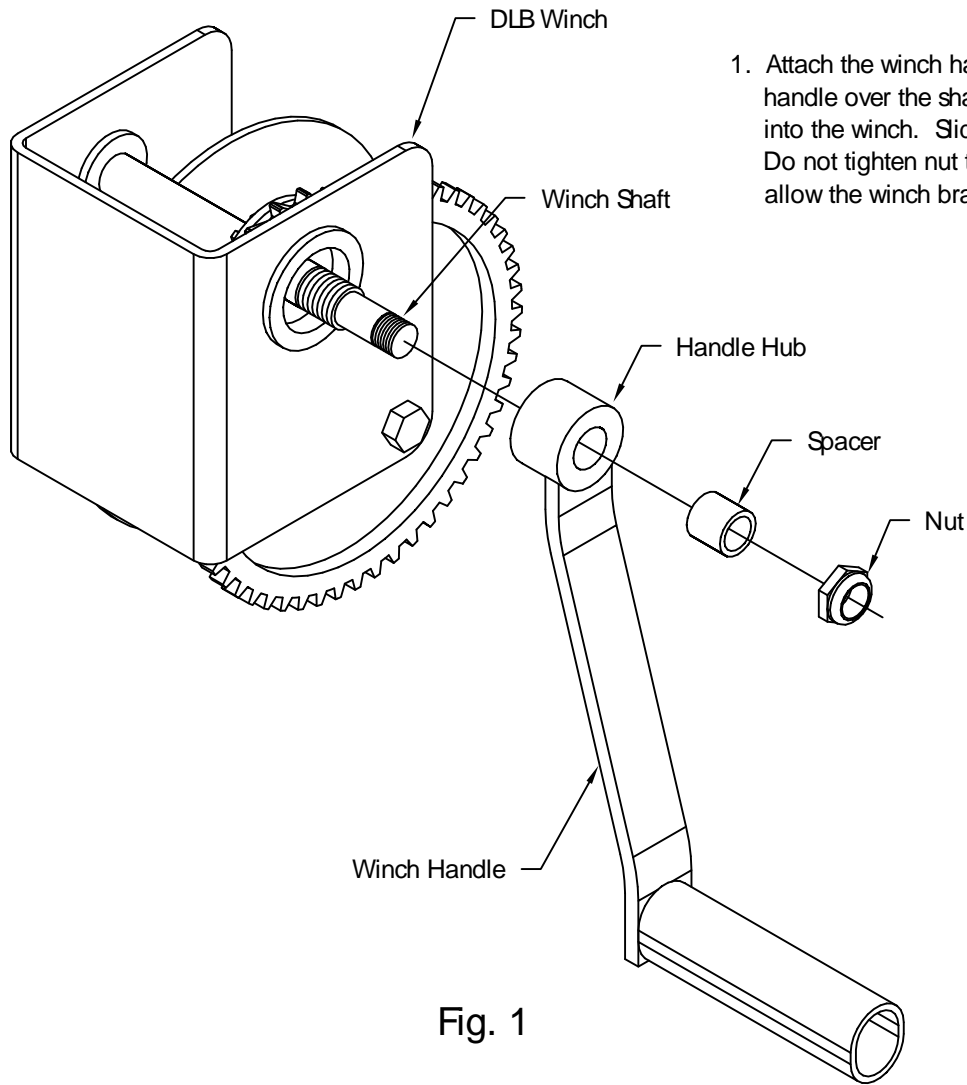


DLB WINCH HANDLE/WHEEL

ASSEMBLY INSTRUCTIONS

611-33000-00



1. Attach the winch handle (or wheel) as shown in Fig. 1. Slide the handle over the shaft and thread clockwise until the hub is seated into the winch. Slide the spacer over the shaft and fasten the nut. Do not tighten nut to spacer, leave approximately 1/32" space to allow the winch brake to release properly. See Fig. 2.

