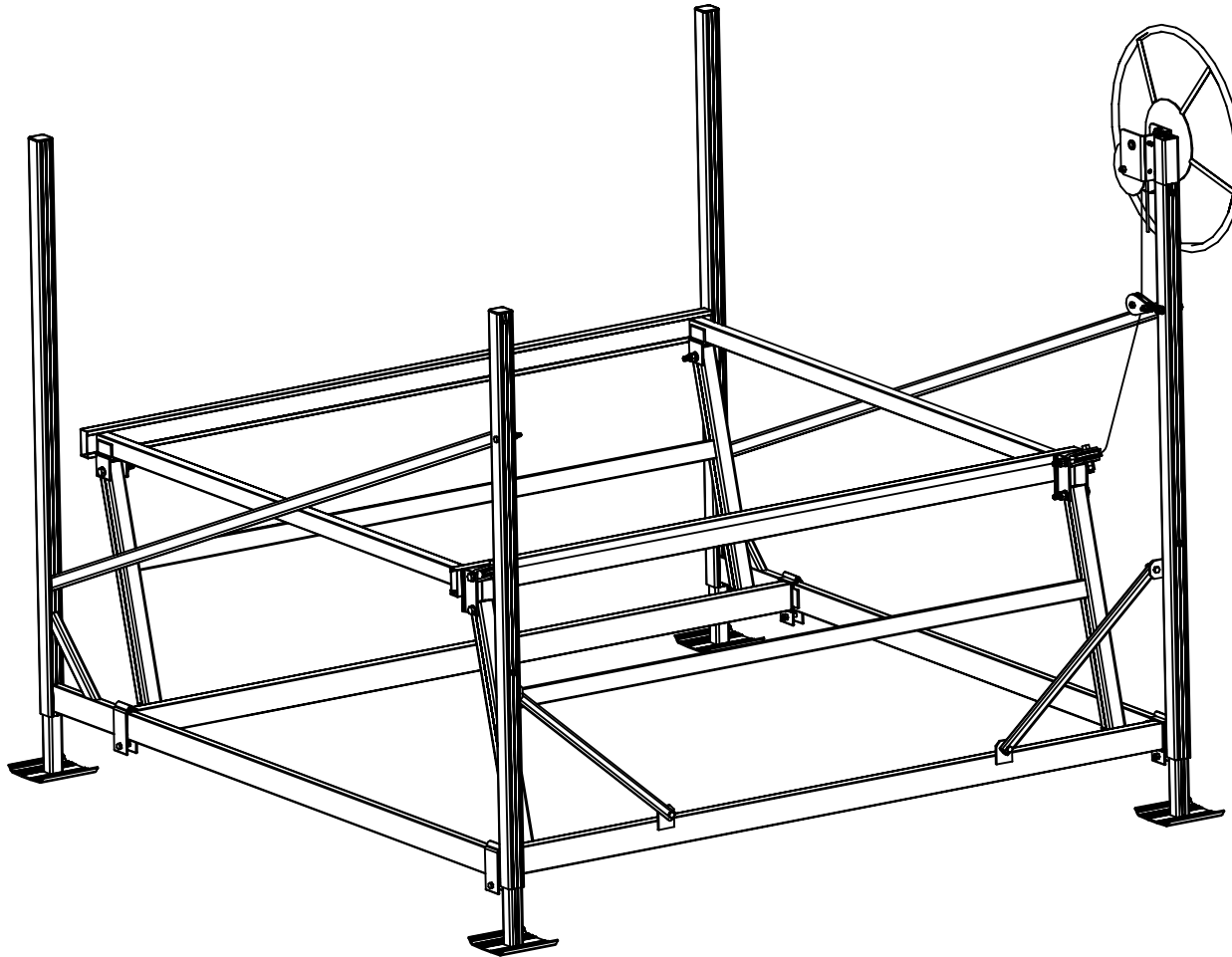


FLOE P-1200 PIVOT LIFT

ASSEMBLY INSTRUCTIONS

P/N 511-12000-00



TOOLS REQUIRED

(2) 9/16" SOCKETS OR
WRENCHES

(2) 3/4" SOCKETS OR
WRENCHES

TORQUE WRENCH

**IMPORTANT NOTE:
DO NOT USE IMPACT WRENCH**

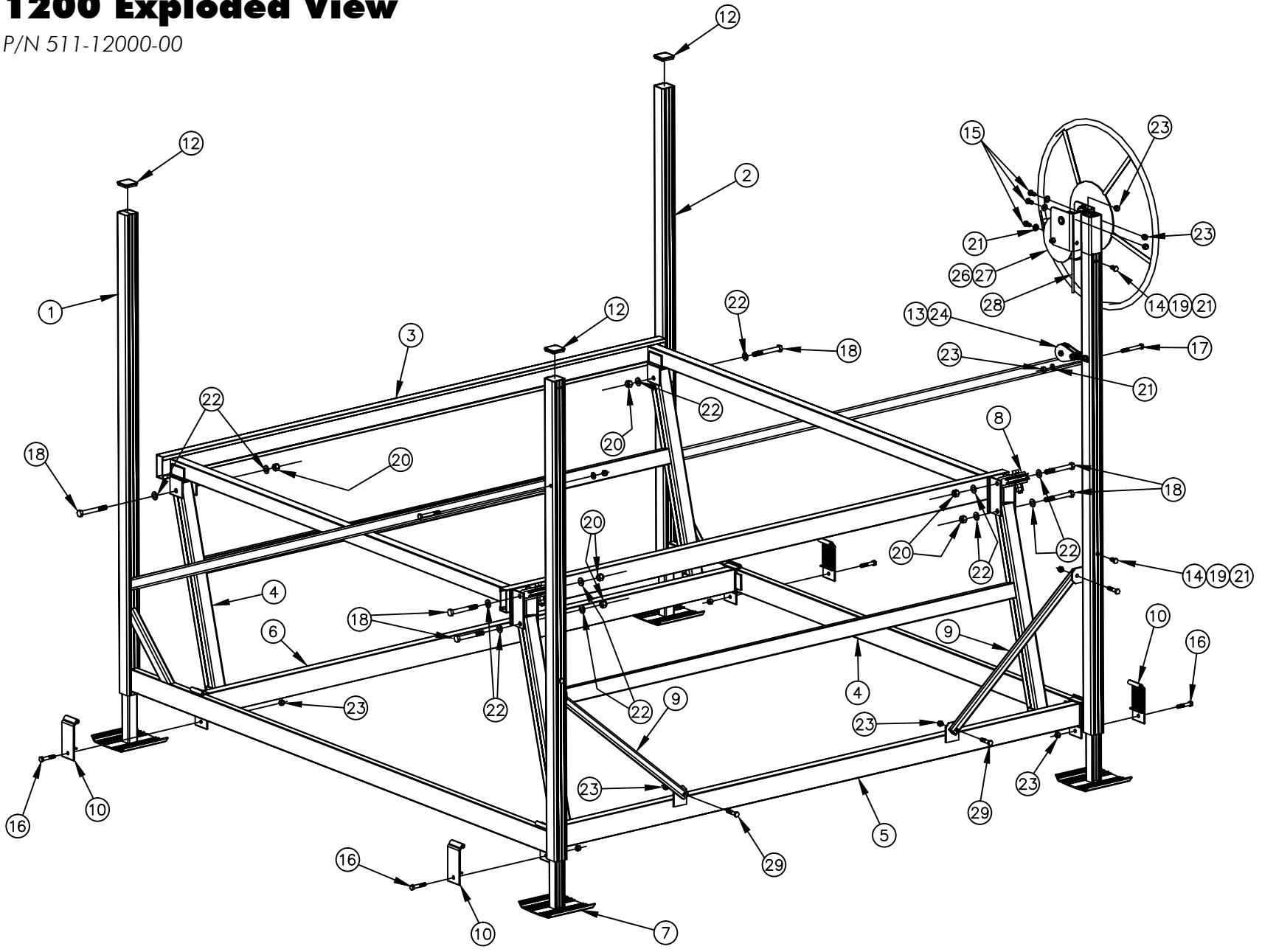
P-1200 Exploded View

P/N 511-12000-00

NO.	PART NO.	QTY.	DESCRIPTION
1	111-00281-00	1	P1200 SIDE FRAME WELDMENT (RIGHT)
2	111-00282-00	1	P1200 SIDE FRAME WELDMENT (LEFT)
3	111-00283-00	1	P1200 CRADLE WELDMENT
4	111-00280-00	2	PIVOT ARM WELDMENT
5	111-00284-00	1	P1200 FRAME BEAM "A" WELDMENT
6	111-00285-00	1	P1200 FRAME BEAM "B" WELDMENT
7	111-00288-00	4	ADJ. LEG WELDMENT - 48"
8	111-00042-00	2	3" PULLEY ASSEMBLY
9	002-02088-00	2	26" FRONT BRACE
10	002-03310-00	4	FRAME BEAM CLAMP (FEMALE)
11	002-03327-00	1	WINCH MOUNT
12	006-15210-00	3	2" SQ. VINYL CAP
13	111-00091-00	1	2" PULLEY ASSEMBLY
14	001-70103-00	5	HHCS, 3/8-16 x 3/4"
15	001-70105-00	3	HHCS, 3/8-16 x 1"
16	001-70111-00	4	HHCS, 3/8-16 x 2"
17	001-70115-00	2	HHCS, 3/8-16 x 3"
18	001-70219-00	10	HHCS, 1/2-13 x 4"
19	001-76349-00	5	NUT, 3/8-16 ALUM.
20	001-76072-00	10	NUT, NYLOCK 1/2-13 ALUM.
21	001-71017-00	10	FLATWASHER, 3/8" SAE ss
22	001-71021-00	24	FLATWASHER, 1/2" SAE ss
23	001-76071-00	10	NUT, NYLOCK 3/8"-16 ALUM.
24	007-08800-00	3	3/16" LIFT CHAIN
25	911-01204-00	1	WINCH POST - 24"
26	007-00000-00	1	MANUAL WINCH "DLB800"
27	007-00202-00	1	2' WINCH WHEEL "DLB"
28	111-00287-00	1	P-1200 CABLE ASSEMBLY
29	001-70110-00	4	HHCS, 3/8-16 x 1 3/4" ss

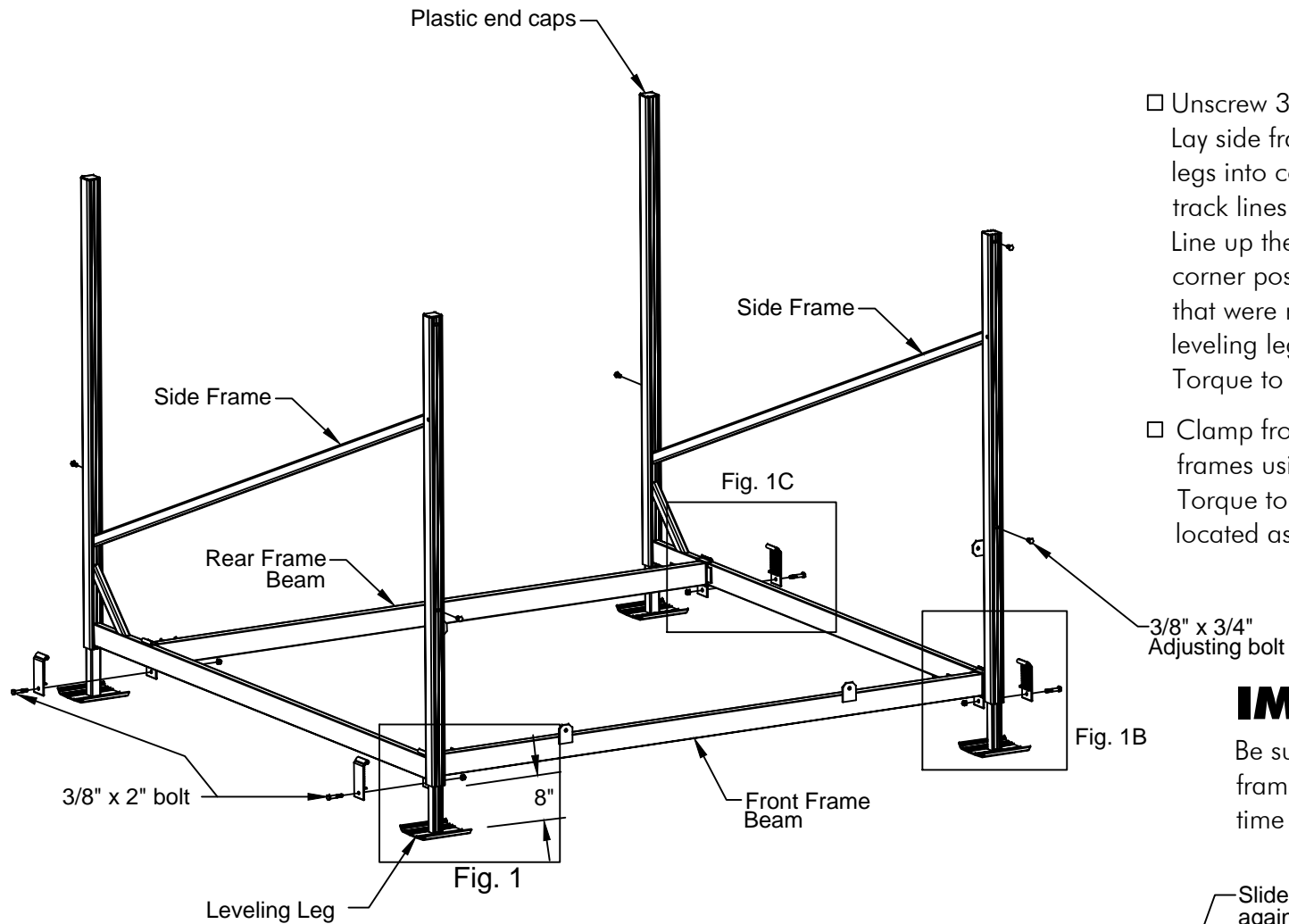
P-1200 Exploded View

LIFT P/N 511-12000-00



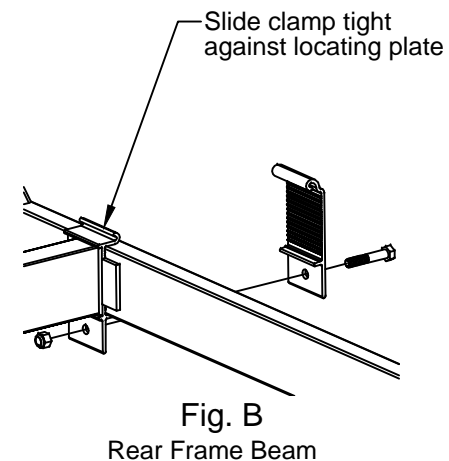
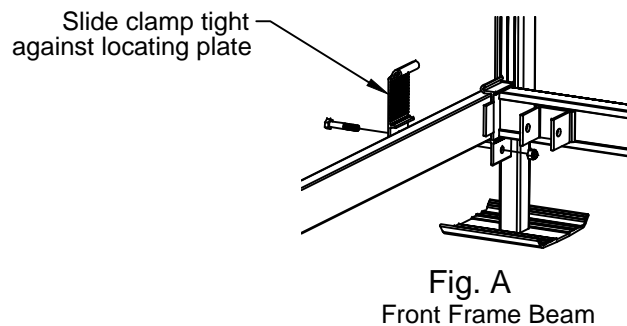
Step 1

- Unscrew $3/8" \times 3/4"$ bolt from leveling legs. Lay side frames on side. Insert leveling legs into corner posts making sure the nut track lines up with lower hole in corner post. Line up the nut and washer with the hole in corner post and fasten with $3/8" \times 3/4"$ bolt that were removed from leveling legs. Leave leveling leg extended out 8". See Fig. 1. Torque to 40 ft. lbs.
- Clamp front and rear frame beams to side frames using $3/8" \times 2"$ bolts and nuts. Torque to 40 ft. lbs. Frame beams to be located as shown in Fig. 1B and 1C.



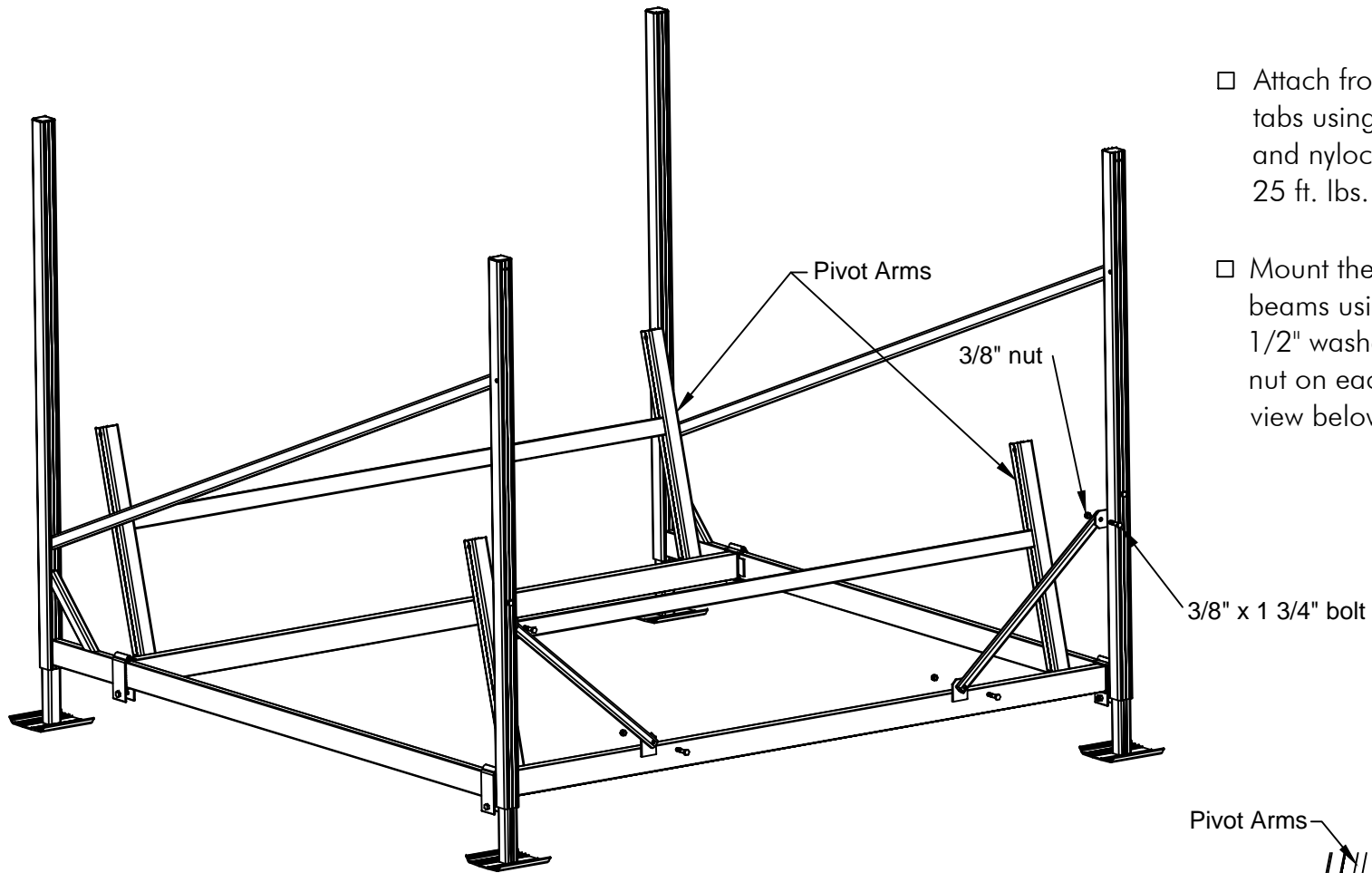
IMPORTANT NOTE:

Be sure that the drainage holes in the frame beams are on the bottom at time of installation.

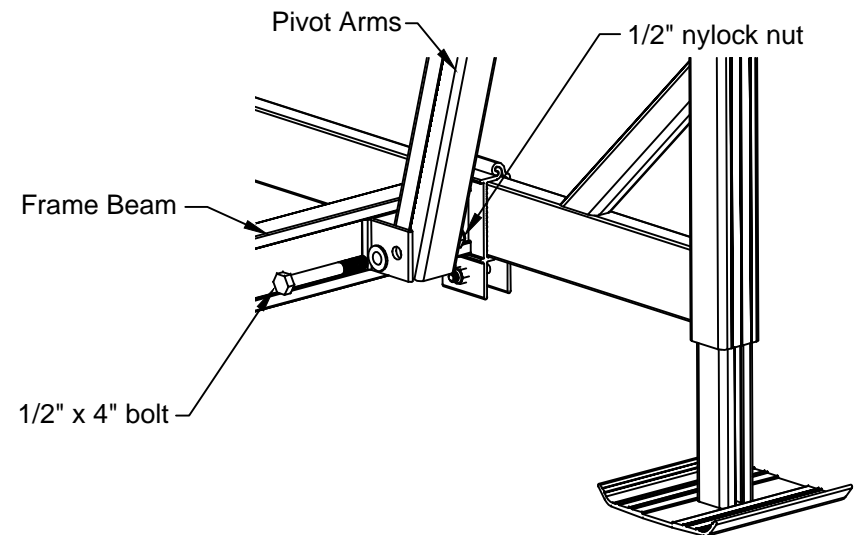


Step 2

- Attach front braces to mounting tabs using $3/8"$ x $1\ 3/4"$ bolts and nylock nuts. Torque to 25 ft. lbs.
- Mount the pivot arms to the frame beams using (1) $1/2"$ x 4" bolt, (2) $1/2"$ washers and (1) $1/2"$ nylock nut on each clamp. (See rear view below).



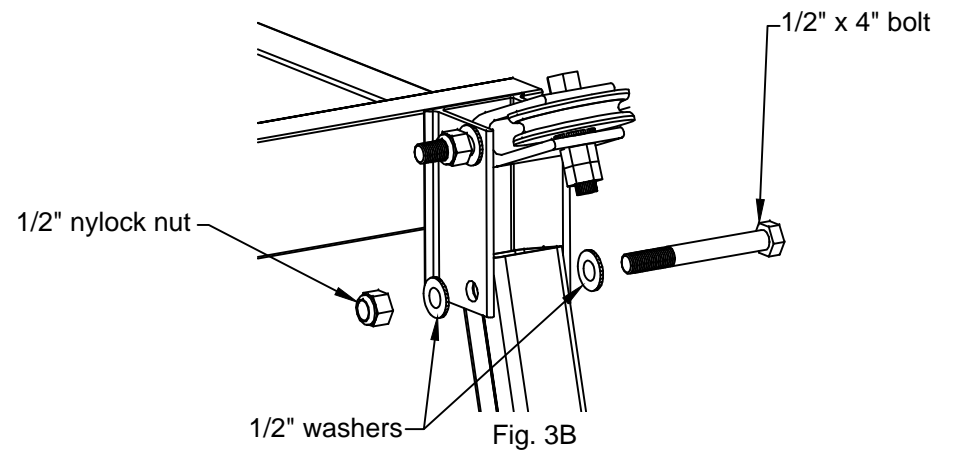
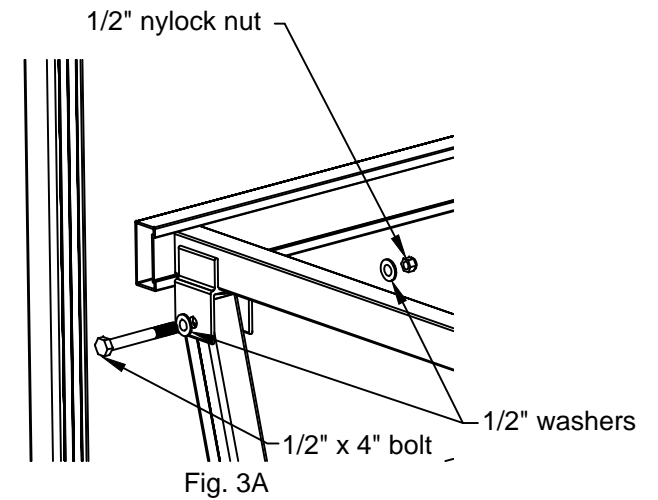
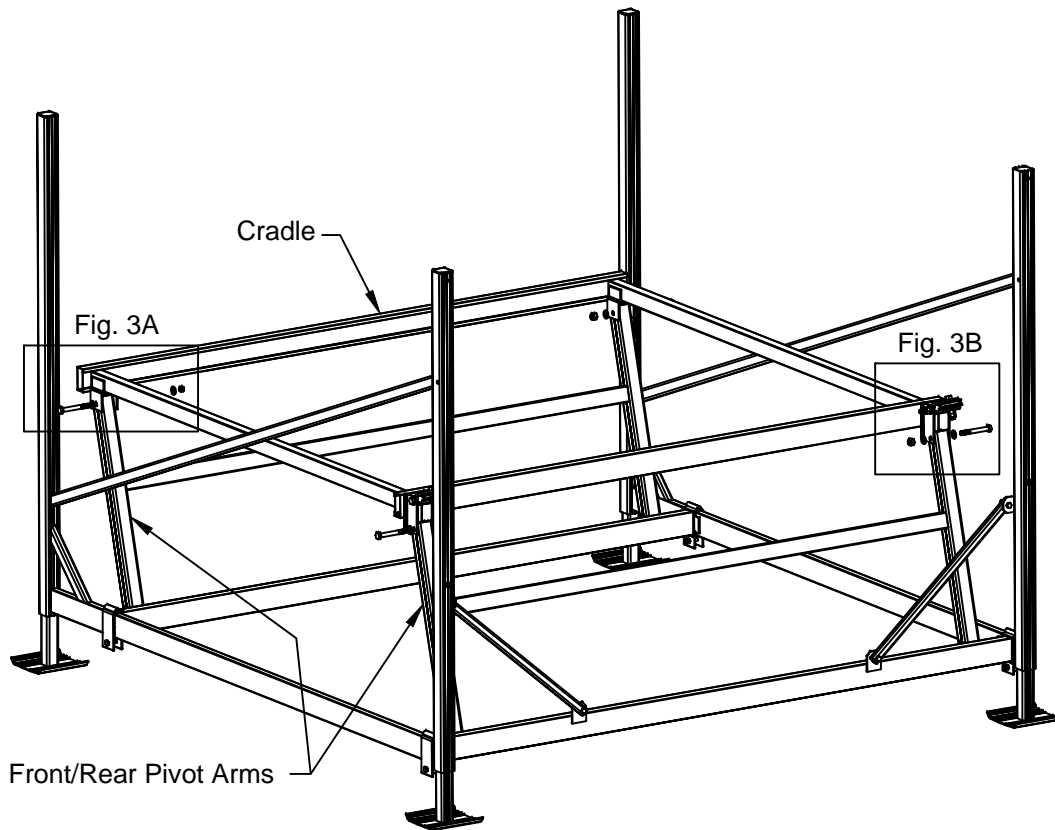
Front View



Rear View

Step 3

- Attach the cradle to the front and rear pivot arms using (1) HHCS 1/2-13 x 4", (2) 1/2" washers and (1) 1/2" nylock nut on each pivot arm. See Fig. 3A & 3B.



Step 4

Lifting Winch and Cable Installation Instructions: Left side mounting shown, for right side mounting See Step 5.

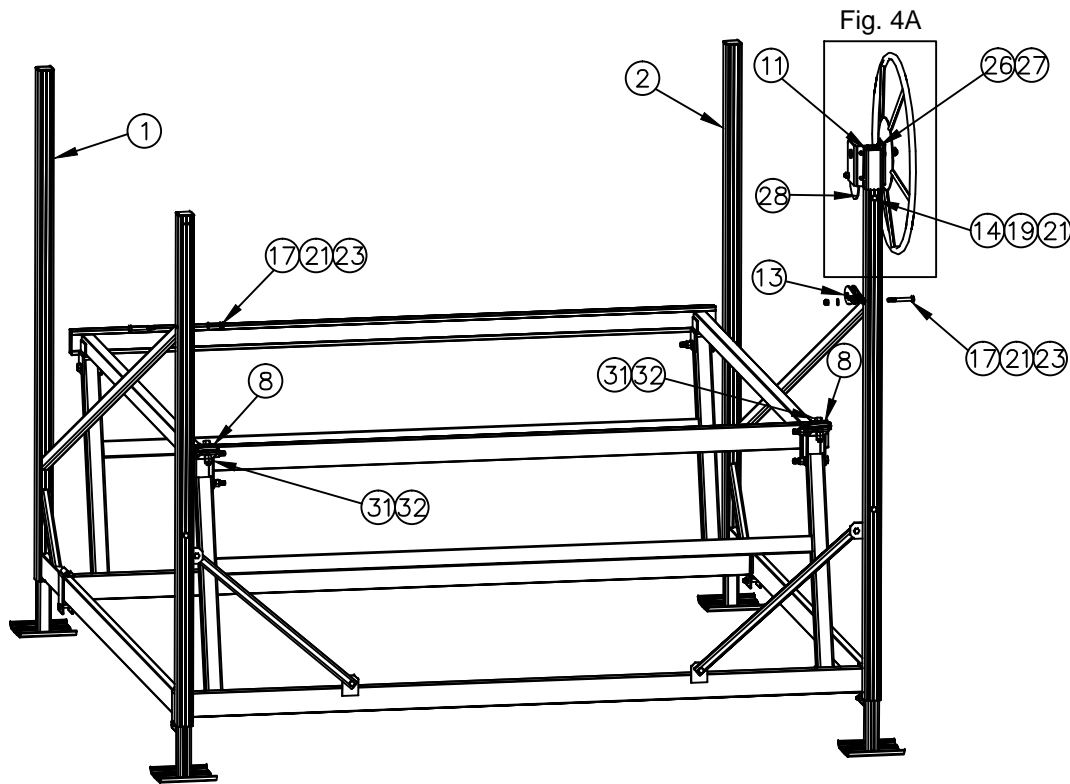


Fig. 4A Location

- Insert winch post (item #11) into front leg of left side frame weldment (item #2). Leave 5" of winch post exposed. Fasten with (1) HHCS 3/8-16 x 3/4", (1) 3/8-16 nut, & (1) 3/8" flatwasher (items #14, #19, & 21). Torque to 40 ft. lbs.
- Install manual winch (item #26) with the hand wheel spindle on the top and the cable out the bottom.
- Remove the E-clip from the pin on the 2" pulley assembly (item #13) and insert the cable (item #28), & replace E-clip.
- Attach 2" pulley assembly to left side frame weldment with (1) HHCS 3/8-16 x 3", (1) 3/8-16 nut, & (1) 3/8" flatwasher (items #17, #21, & 23). Torque to 10 ft. lbs.
- Thread the other end of the cable through the (2) 3" cradle pulley assemblies (item #8) & attach the swaged end of the cable to the right side weldment (item #1) with (1) HHCS 3/8-16 x 3", (1) 3/8-16 nut, & (1) 3/8" flatwasher (items # 17, #21, & 23). Torque to 10 ft. lbs.
- Install (2) HHCS 1/4-20 x 1 3/4", & (2) 1/4-20 nylock nuts (items #31, & 32) through 3" pulley assemblies (items #8). Torque to 10 ft lbs.

IMPORTANT NOTE:

The lift should be installed with 6" of water above the top of the bunks while the lift is in the lowered position. This will provide adequate clearance for launching and docking of your watercraft and also help prevent float off in the raised position during high wave conditions.

WARNING:

Watercraft must float freely over bunks before lifting. The weight of the watercraft must never be on the lift when it is in its lowest position. Failure to follow this procedure may result in severe damage to your lift and/or watercraft and will void your warranty.

Step 5

Lifting Winch and Cable Installation Instructions:

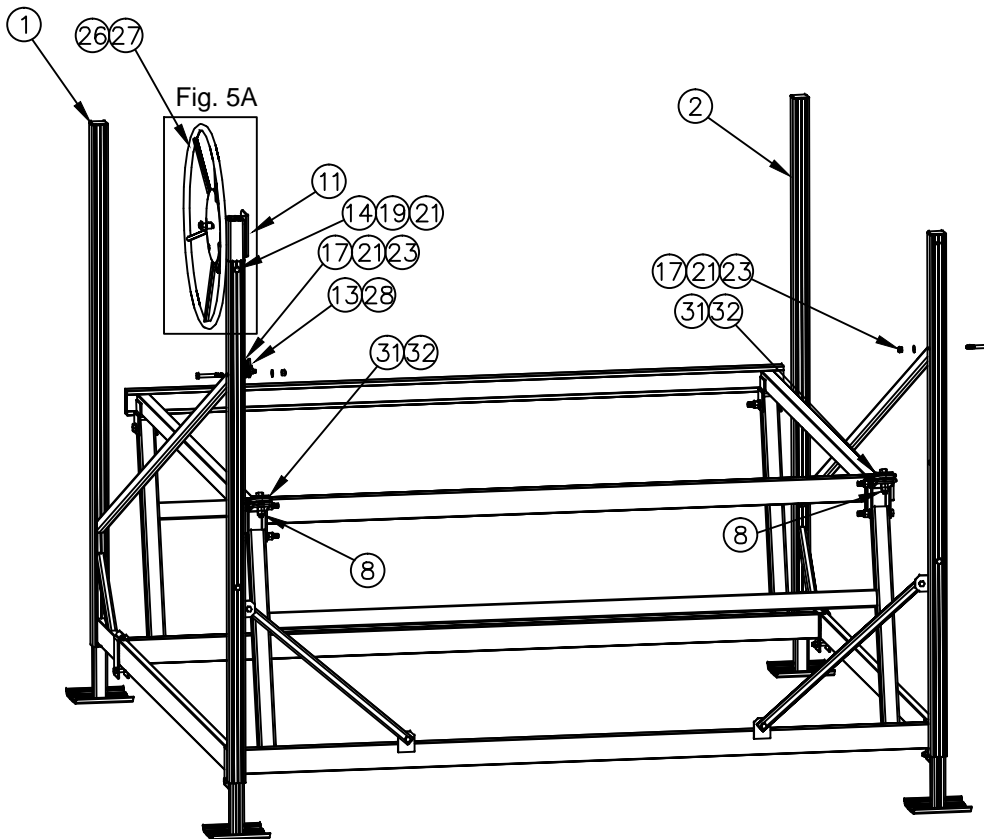


Fig. 5A Location

- Insert winch post (item #11) into front leg of right side frame weldment (item #1). Leave 5" of winch post exposed. Fasten with (1) HHCS 3/8-16 x 3/4", (1) 3/8-16 nut, & (1) 3/8" flatwasher (items #14,19, & 21). Torque to 40 ft. lbs.
- Install manual winch (item #26) with the crank spindle on the bottom and the cable (item 28) has to be rerouted behind the crank spindle and out the bottom.
- Remove the E-clip from the pin on the 2" pulley assembly (item #13) and insert the cable (item #28) & replace E-clip.
- Attach 2" pulley assembly to right side frame weldment with (1) HHCS 3/8-16 x 3", (1) 3/8-16 nut, & (1) 3/8" flatwasher (items #17,21, & 23). Torque to 10 ft. lbs.
- Thread the other end of the cable through the (2) 3" cradle pulley assemblies (item #8) & attach the swaged end of the cable to the left side weldment (item #2) with (1) HHCS 3/8-16 x 3", (1) 3/8-16 nut, & (1) 3/8" flatwasher (items # 17,21, & 23). Torque to 10 ft. lbs.
- Install (2) HHCS 1/4-20 x 1 3/4", & (2) 1/4-20 nylock nuts (items #31,& 32) through 3" pulley assemblies (items #8). Torque to 10 ft lbs.

IMPORTANT NOTE:

The lift should be installed with 6" of water above the top of the bunks while the lift is in the lowered position. This will provide adequate clearance for launching and docking of your watercraft and also help prevent float off in the raised position during high wave conditions.

WARNING:

Watercraft must float freely over bunks before lifting. The weight of the watercraft must never be on the lift when it is in its lowest position. Failure to follow this procedure may result in severe damage to your lift and/or watercraft and will void your warranty.