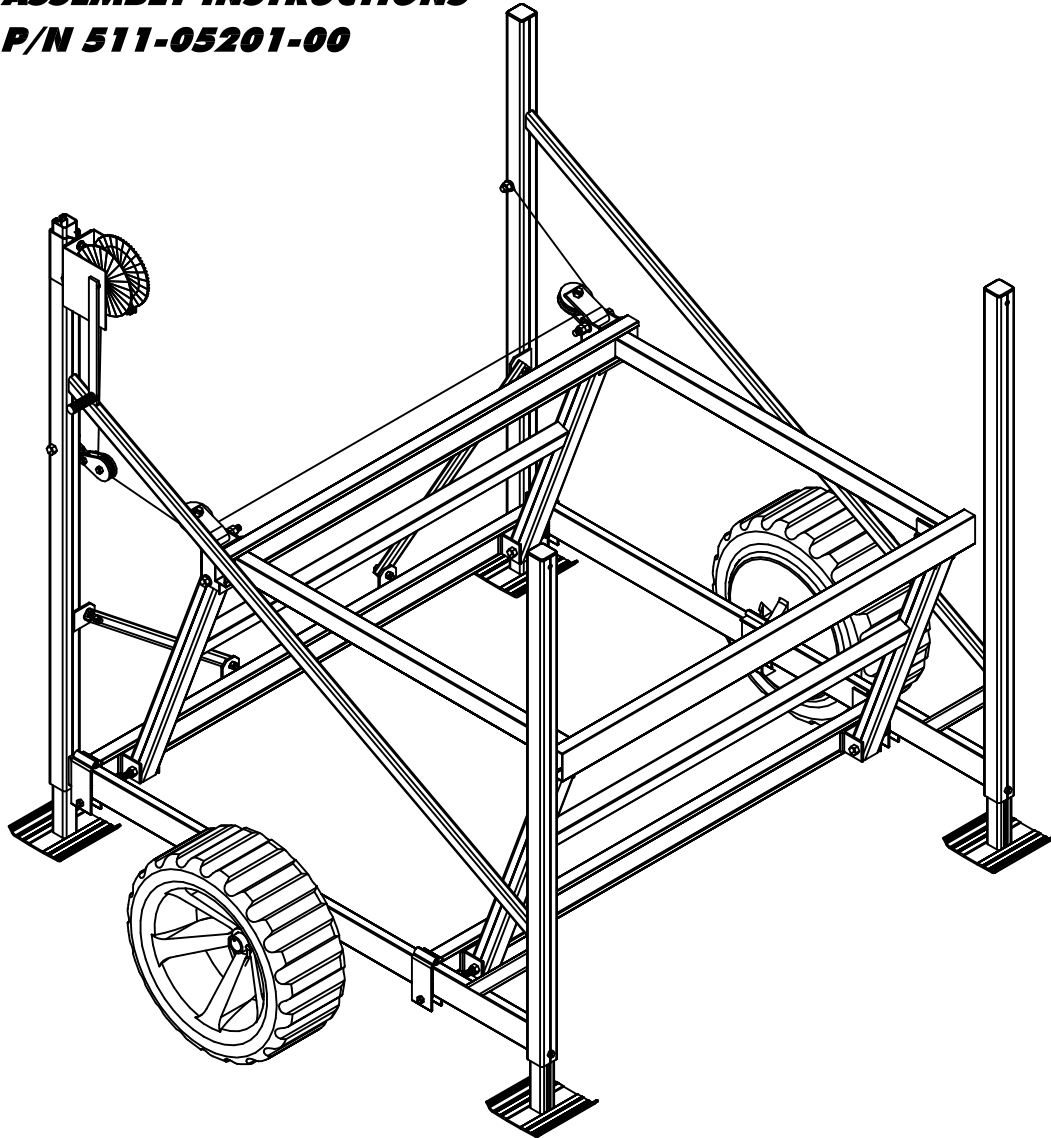


WHEEL KIT

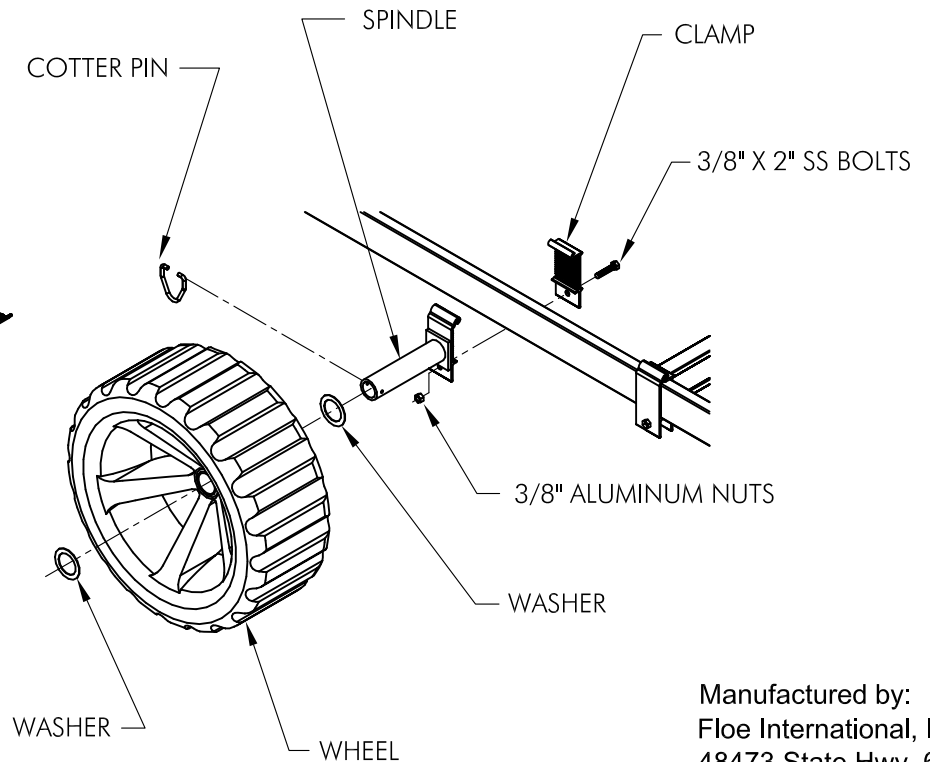
P-800, 1000, 1200, & PWC-1300

ASSEMBLY INSTRUCTIONS

P/N 511-05201-00

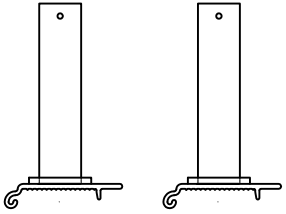


1. Slide the Clamp and spindle together, insert the 3/8 x 2" bolt into bottom hole on clamp beneath side frame beam, per Fig. 1. Install 3/8" nut and torque to 35 ft/lbs. Mounting position is variable (center position shown).
2. Slide (1) washer, (1) wheel and (1) washer onto the spindle and insert the cotter pin into the thru hole in the end of the spindle. Spread the ends of the cotter pin to retain it.

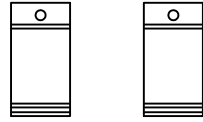


UPDATED: 2/26/07
611-05201-00

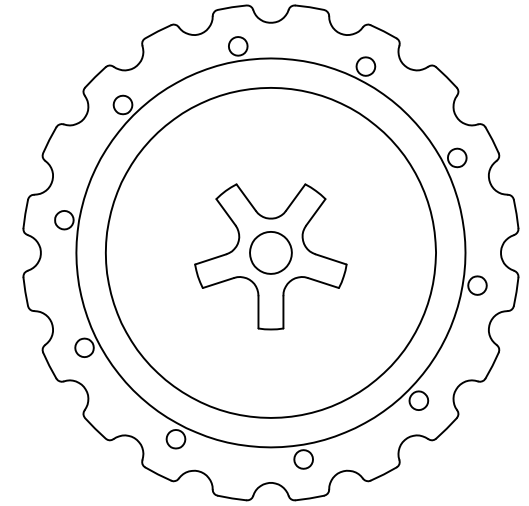
P-800, 1000, 1200, & PWC-1300



(2) SPINDLES
P/N 111-00279-00

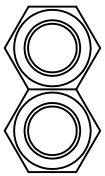


(2) CLAMPS
P/N 002-03309-00

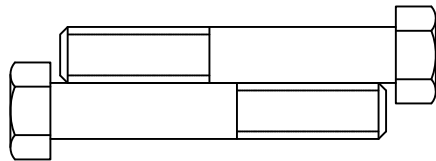


(2) WHEELS
P/N 010-06001-00

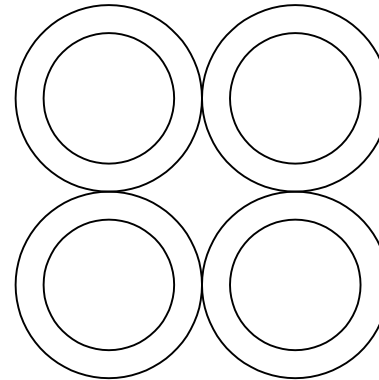
(1) FASTENER KIT - P/N 511-04241-00



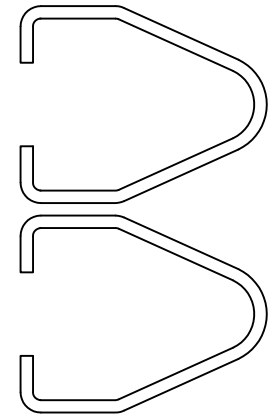
P/N 001-76071-00
(2) 3/8" NYLOCK NUTS



P/N 001-70111-00
(2) 3/8" x 2" BOLTS
TORQUE TO 35 ft. lbs.



P/N 010-00020-00
(4) 2.5" O.D. X 1.75" I.D. WASHERS



P/N 001-26728-00
(2) SPINDLE CLIPS