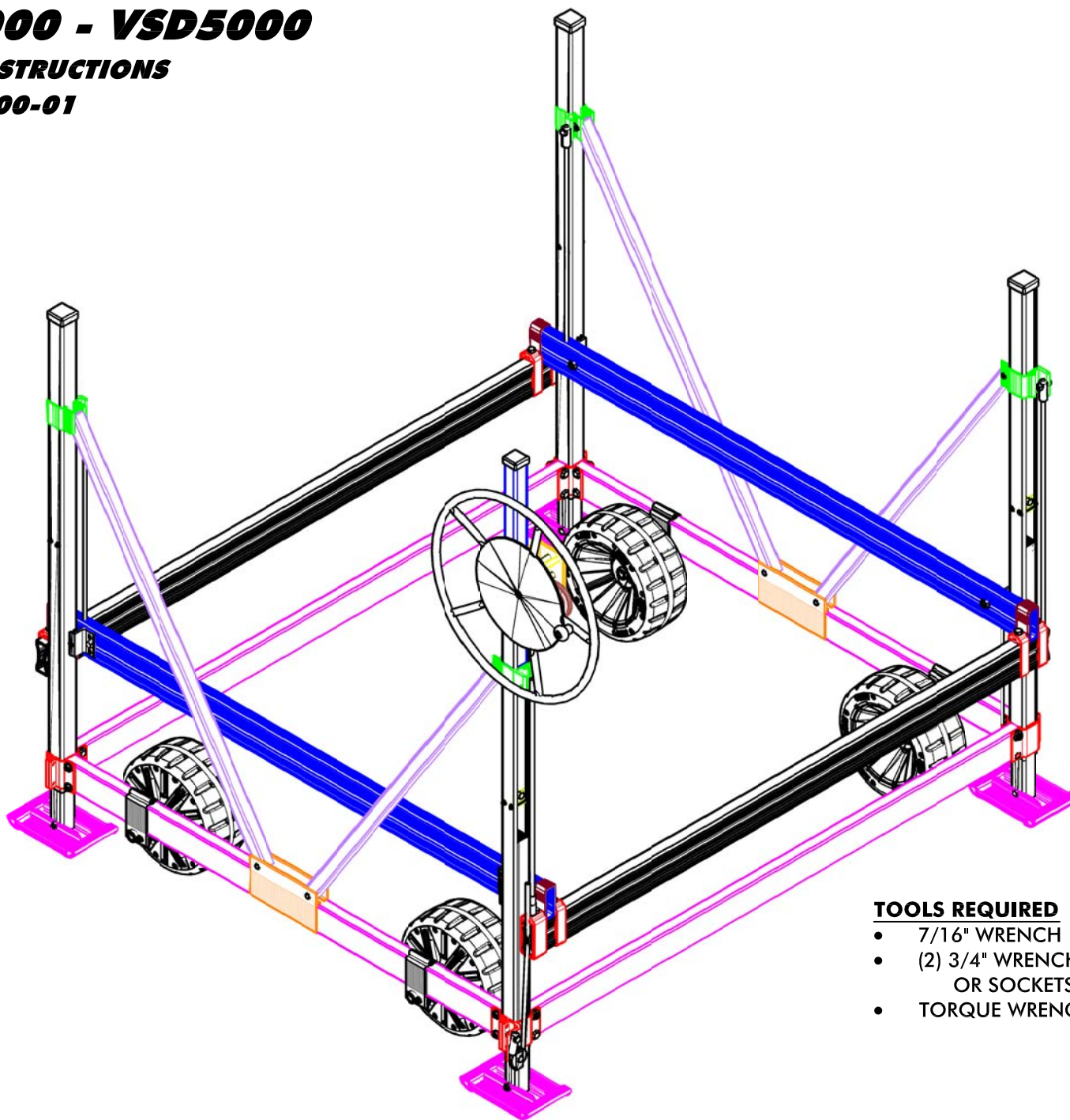


FLOE BOAT LIFT WHEEL KIT
FOR V2000 - VSD5000
ASSEMBLY INSTRUCTIONS
P/N 511-05100-01



TOOLS REQUIRED

- 7/16" WRENCH
- (2) 3/4" WRENCHES OR SOCKETS
- TORQUE WRENCH

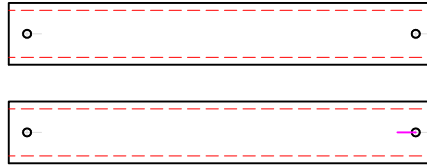
Floe Boat Lift Wheel Kit

P/N 511-05100-01

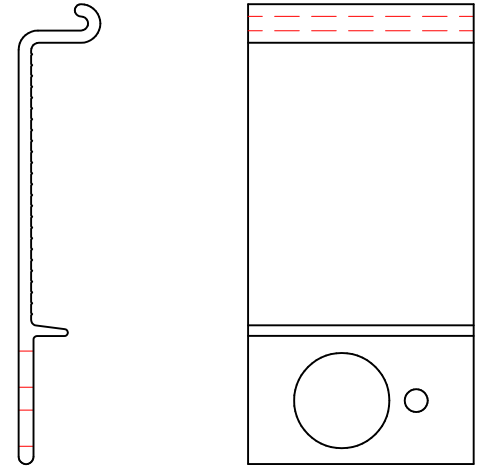
Kit Includes:



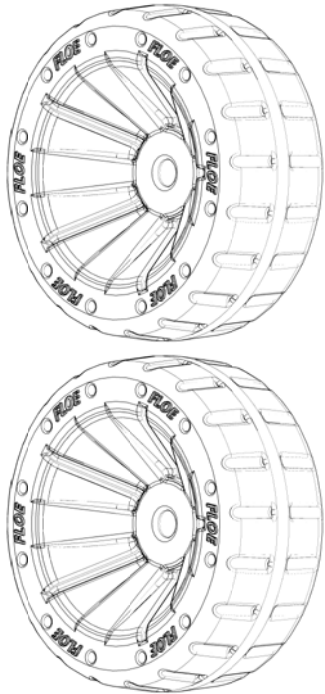
(2) Spacer, Polyethylene - 2.375"
P/N 007-00006-00



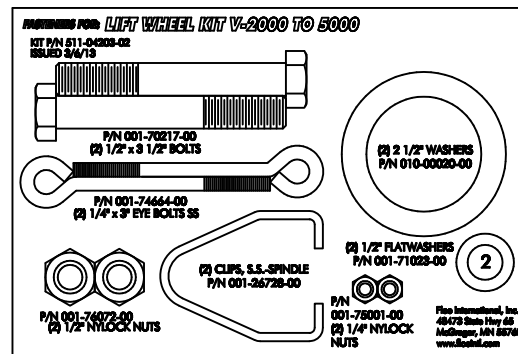
(2) Boat Lift Wheel Kit Spindles
11.625"
P/N 002-02099-01



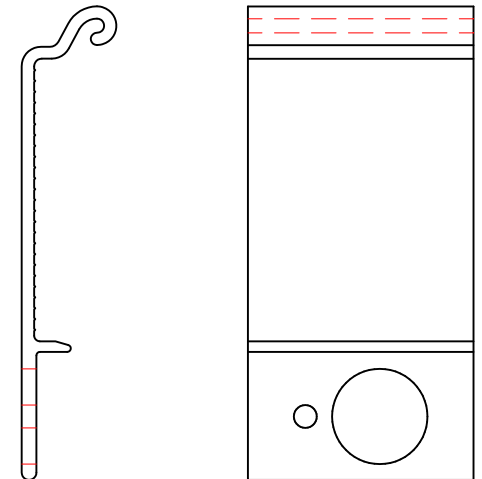
(2) Clamp, Lift Wheel Kit
Male 4"
P/N 002-04065-01



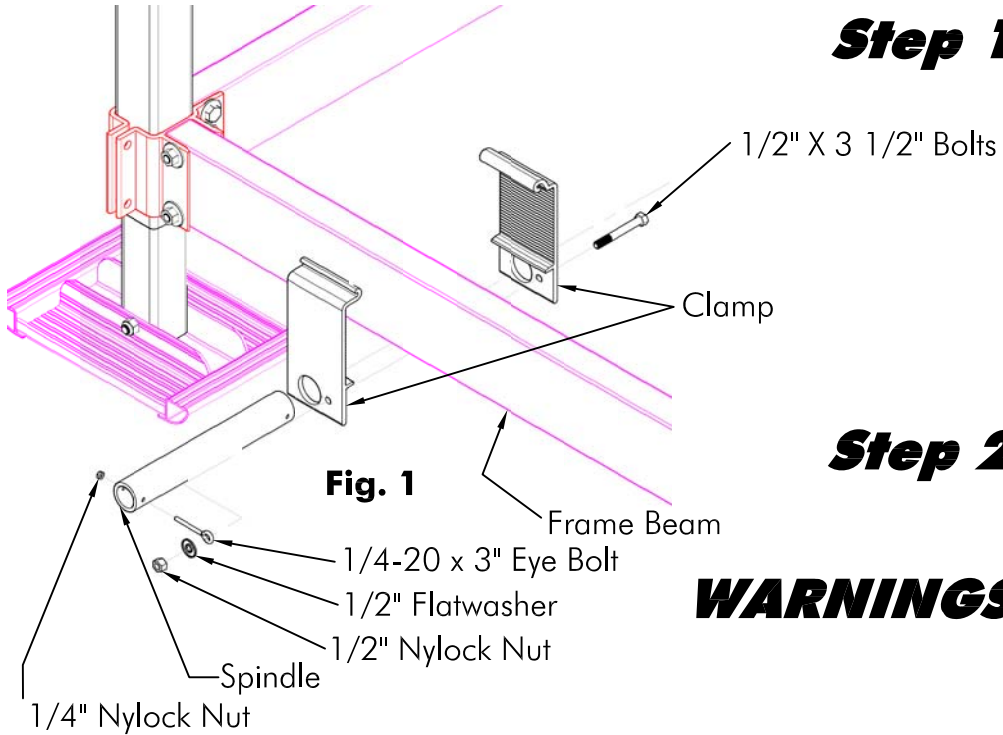
(2) Plastic dock wheels
P/N 010-06002-00



(1) Hardware Kit
P/N 511-04203-02



(2) Clamp, Lift Wheel Kit
Female 4"
P/N 002-04063-01



Step 1: Slide the clamps together over the frame. Insert the 1/2" bolts into the bolt holes on clamps from the inside of the lift. Slide the spindle through the large hole in the clamp, insert the eye bolt through the hole in the end of the spindle and start nut onto eyebolt. Adjust the 1/4" nylock nut until the eye of the bolt goes over the 1/2" bolt, followed with the flat washer, and 1/2" nylock nut as shown in Fig. 1. This will prevent the spindle from spinning in the clamp. Position the clamp assembly so that is 14" from the corner post as shown in Fig. 2. Torque to 35 ft/lbs Note: When installing nut on the eye bolt make sure that the eye is in alignment with the 1/2" bolt hole.

Step 2: Slide a PVC spacer, wheel, then a 2 1/2" stainless steel flat washer over the spindle. Insert a spindle clip into one hole in the spindle and pull over on clip until it snaps into opposite hole in spindle. As shown in Fig. 2.

WARNINGS: The flat washer must be installed between the aluminum nut and the eye bolt to prevent the nut from winding open the eye bolt. It is important that you raise the lift cradle at least 2 feet when transporting the lift in or out of the water. This will prevent the wheels from hitting the side cradle beams, which would prevent the wheels from turning freely. As shown in Fig. 3.

