

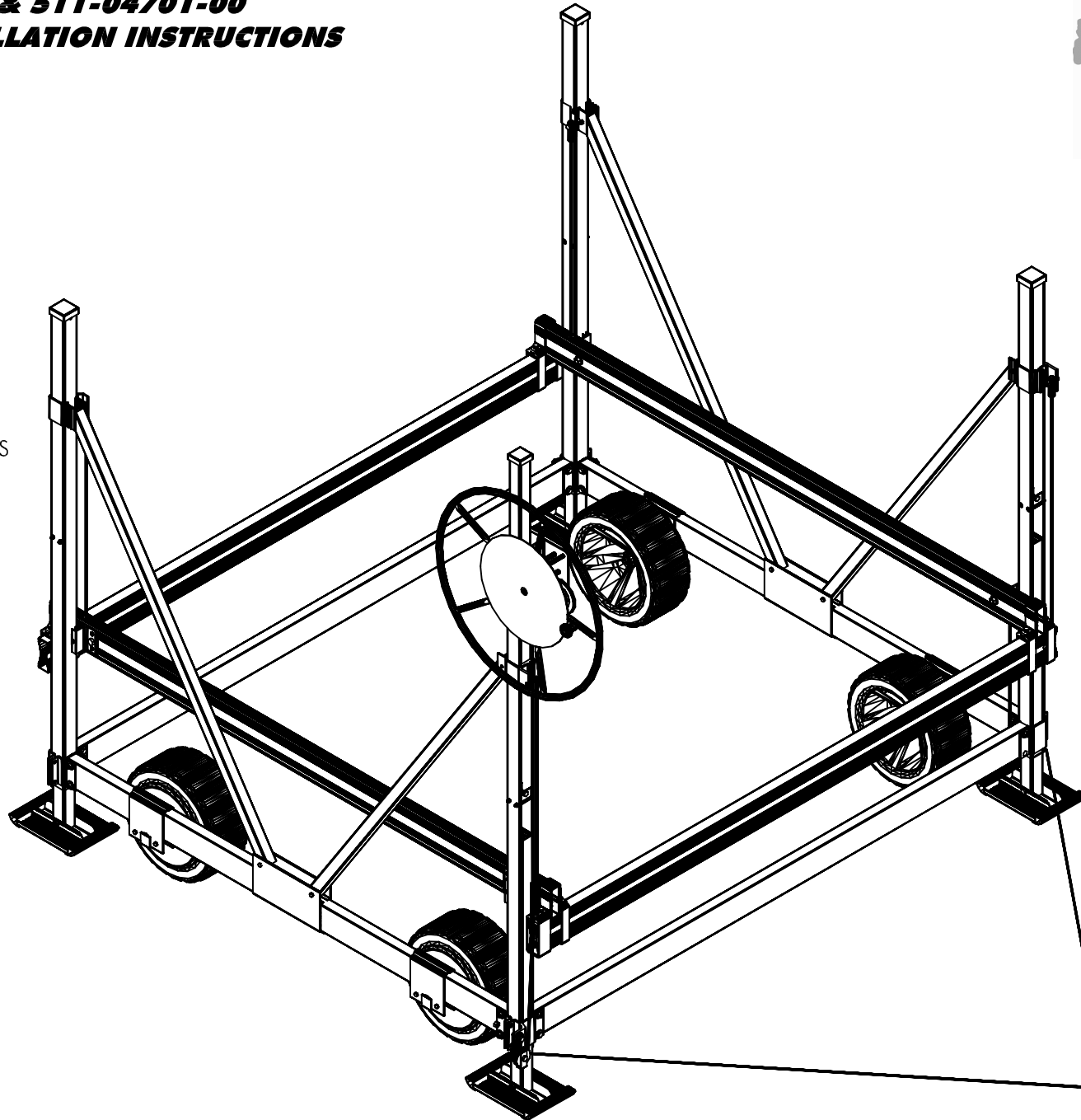
FLOE LIFT REMOVAL/INSTALL CABLE

P/N 511-04700-00 & 511-04701-00

ASSEMBLY & INSTALLATION INSTRUCTIONS



TOOLS REQUIRED
(2) 3/4" WRENCHES OR SOCKETS
TORQUE WRENCH



© Manufactured by:
Floe International, Inc.
48473 State Hwy. 65
McGregor, MN 55760
www.floeintl.com

LIFT REMOVAL/INSTALL CABLE PARTS LIST:

P/N 511-04700-00 V-2000 through VSD-5000

ITEM NO.	PART NO.	QTY.	DESCRIPTION
1	001-70218-00	2	HHCS, 1/2-13 x 3 3/4" 18-8 SS
2	001-71022-00	2	FLATWASHER, 1/2" USS 18-8 SS
3	001-76072-00	2	NUT, NYLOCK 1/2-13 ALUMINUM
4	007-08900-00	1	CABLE, "Y" LIFT REMOVAL 1/4"

LIFT REMOVAL/INSTALL CABLE PARTS LIST:

P/N 511-04701-00 VSD-6000 through VSD-10,000

ITEM NO.	PART NO.	QTY.	DESCRIPTION
1	001-70221-00	2	HHCS, 1/2-13 x 4 1/2" 18-8 SS
2	001-71022-00	2	FLATWASHER, 1/2" USS 18-8 SS
3	001-76072-00	2	NUT, NYLOCK 1/2-13 ALUMINUM
4	007-08904-00	1	CABLE, "Y" LIFT REMOVAL 1/4"

See Fig. 1

WARNING:

-BEFORE ATTEMPTING TO INSTALL THE LIFT REMOVAL/INSTALL CABLE BE SURE THE LIFT IS IN THE LOWERED POSITION AND THE BOAT IS REMOVED FROM THE LIFT. FAILURE TO DO SO MAY CAUSE PERSONAL INJURY AND RESULT IN DAMAGE TO THE BOAT AND/OR LIFT.

STEP 1 (Lift Removal)

- REMOVE EXISTING BOTTOM 1/2-13 x 3 1/2" BOLT FROM THE SIDE FRAME AND REPLACE WITH 1/2-13 x 3 3/4" BOLT INCLUDED WITH LIFT REMOVAL/INSTALL KIT. PLACE THE SMALL LOOP AT THE END OF THE "Y" CABLE ON THE BOLT BETWEEN THE OUTSIDE OF THE SIDE FRAME AND THE FLATWASHER. BE SURE THE CABLE IS ROUTED BELOW THE FRAME CLAMP BEFORE TIGHTENING THE NYLOCK NUT. THE FRAME CLAMP WITH THE LIFTING CABLE ATTACHED ON THE INSIDE WILL NEED TO HAVE THE NYLOCK NUT REMOVED AND SLIDE THE BOLT BACK SO THAT THE 1/2-13 x 3 1/2" BOLT CAN BE REMOVED & REPLACED WITH THE 1/2-13 x 3 3/4" BOLT PROVIDED. SLIDE THE BOLT BACK THROUGH THE LIFTING CABLE END AND REPLACE THE NYLOCK NUT. TORQUE BOLTS TO 100 ft/lbs. SEE FIG. 1.

