



THE "INSTA-FLOAT" BY FLOE

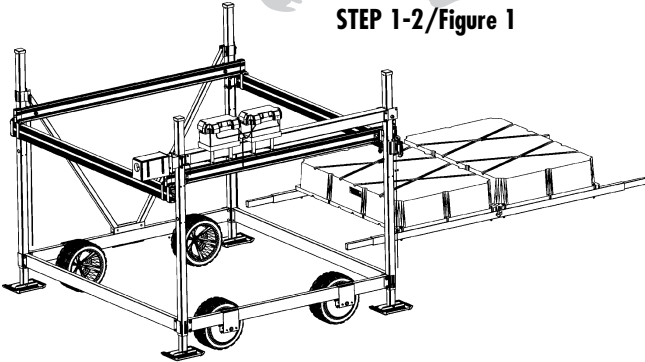
THE ULTIMATE BOAT LIFT INSTALLATION AND REMOVAL SYSTEM
FOR BOAT LIFTS USING TWO PRE-INSTALLED PAIRS OF FLOE'S
BOAT LIFT WHEEL KITS

PLEASE READ AND FOLLOW ALL INSTRUCTIONS & WARNINGS

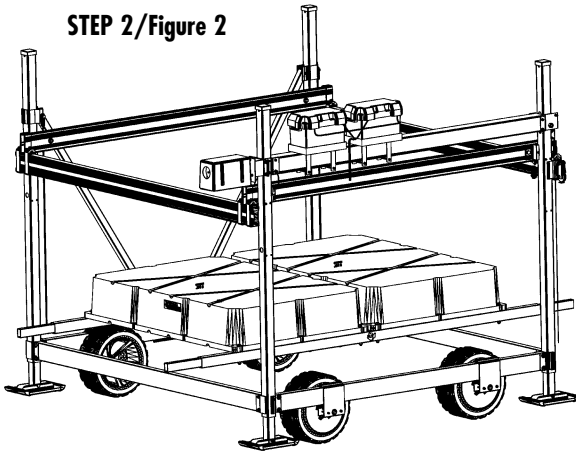
Failure to do so may result in damage to your lift system, personal injury, or death.

WARNING: Prior to using your "Insta-Float System," it is recommended that the canopy fabric be removed from your lift as potential problems could occur if winds are present. (Note: Canopy frame/structure can remain attached.)

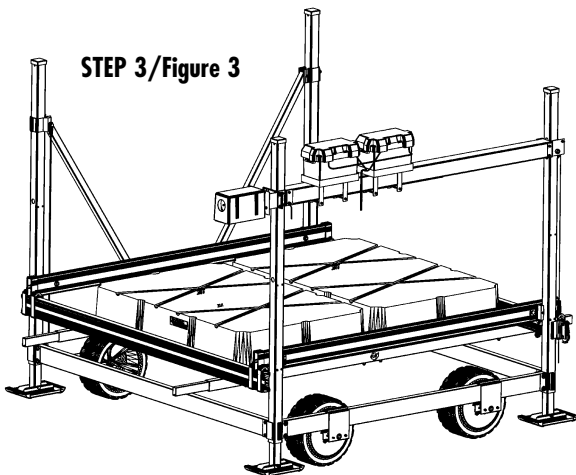
STEP 1-2/Figure 1



STEP 2/Figure 2



STEP 3/Figure 3



STEP ONE

Position the floating transporter at the entrance of your **FLOE** lift system as pictured in Fig. 1. Face transporter so that the attached tow cable is in the direction in which the lift will be pulled.

Note: If your lift is on a trailer and being installed for the first time, have the lift positioned so that you can back your trailer into the water and roll your lift off until it floats.

STEP TWO

Raise the lift bed to its maximum height, and position the transporter within the lift (Fig. 2). Typically, the side of your lift that has either a winch, hydraulic system, or a VSD motor is heavier.

TO COMPENSATE:

If you have a lift with a winch, simply slide the Insta-Float Transporter off-center approximately 6" towards the heavy side.

If you have a hydraulic or VSD lift, position the transporter tight to the heavy side. Doing this will keep the lift close to level while you float it into position.

Note: If you have a hydraulic lift and need additional bed height to fit the floating transporter between the top and bottom beams, either manually lift the bed up higher, or use the transporter's winch system to raise it higher. With its handle facing outward, attach the winch transporter's clamp to the hydraulic assembly's topmost beam and its hook to the cradle lift platform beam. You may also need to do this when removing the transport system once the lift is installed.

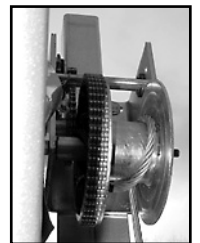
STEP THREE

Lower the lifting bed down onto the aluminum framework of the transporter unit. (Step 3/Fig. 3).

Figure 4

IMPORTANT WARNING

- * IF YOU HAVE A WINCH MODEL LIFT, release all but one wrap of cable from the lift winch drum (Fig. 4) before proceeding to Step 4.
- * IF YOU HAVE A VSD POWERED LIFT, lower the lifting bed as low as possible (until it is stopped by the limit switch).
- * IF YOU HAVE A HYDRAULIC POWER LIFT, extend the hydraulic cylinder to its maximum length before proceeding to Step 4.

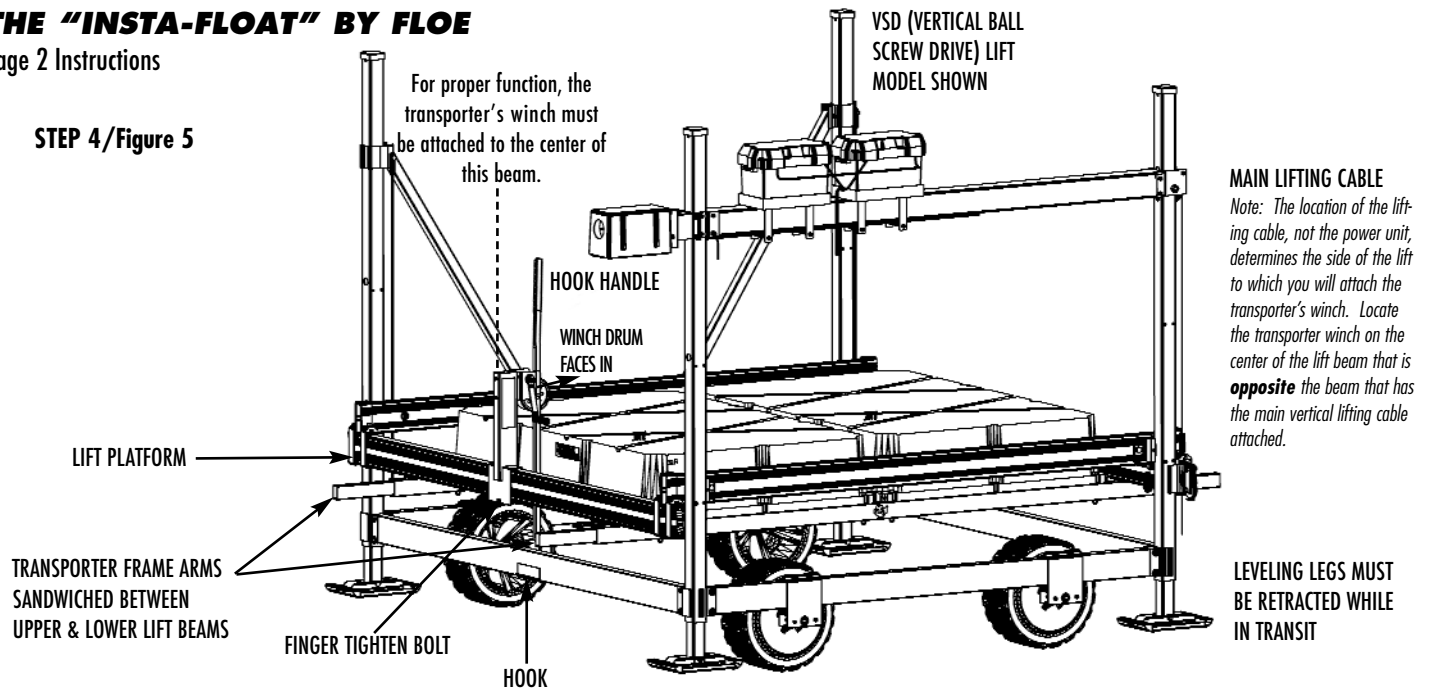


WARNING: EXTENDING THE HYDRAULIC CYLINDER MAY CAUSE THE LIFTING CABLE (LOCATED AT THE END OF THE HYDRAULIC CYLINDER) TO SLIP OUT OF THE UPPER PULLEY. IT IS IMPORTANT THAT THIS LIFTING CABLE BE POSITIONED WITHIN THE PULLEY BEFORE RAISING THE PLATFORM AGAIN.

THE "INSTA-FLOAT" BY FLOE

Page 2 Instructions

STEP 4 / Figure 5



STEP FOUR

A. Install the transporter's winch system as shown in Fig. 5. Do so by positioning the winch in the center of the lift beam that is opposite the beam that has the main lifting cable attached. Swing the eyebolt on the winch post up into the slot on the winch post saddle, and tighten the wing nut. When installed properly, the winch drum will face into the center of the lift, and the winch post will be on the outside of the lift beam.

B. Crank winch counter-clockwise while pulling on the strap. Let out enough of the strap so that the hook located on the bottom of the hook handle reaches underneath the lower frame beam from the inside. When properly attached, the hook handle will be on the inward side of the frame beam and will be centered on the winch drum, resting on the winch strap, while the hook will be securely hooked on the bottom of the frame beam. Keep the hook secure while cranking up the winch until the hook handle is held securely against the winch strap and drum.

WARNING: YOU MUST INSURE THAT THE HOOK IS PROPERLY POSITIONED, TIGHT TO THE BEAM, BEFORE TIGHTENING THE WINCH CABLE.

C. Crank the winch clockwise until the lower frame beam is pulled up to sandwich the transporter's aluminum frame rail between the lift system's upper and lower beams. Doing this will cause the lift to be raised onto the wheels of the transporter, as long as the leveling legs are in their retracted position.

WARNING: NEVER ATTEMPT TO RAISE THE LIFT PLATFORM WHILE THE TRANSPORTER'S WINCH IS INSTALLED!! DOING SO MAY CAUSE SEVERE LIFT DAMAGE, PERSONAL INJURY, OR DEATH.

STEP FIVE

Your lift system should now be ready to roll in the water, or if you are removing your system, it should be floating, provided that the water is deep enough for it to do so.

STEP SIX

A. Once you've moved your lift to its proper location, crank the transport winch counter-clockwise to lower your lift onto its leveling pads.

B. Check the lift system to ensure that it is level. The lift should be leveled to within two inches, corner to corner. If out of level, float the lift back up by cranking the transport winch system clockwise. Adjust leveling pads accordingly.

CAUTION: WHEN ADJUSTING LEVELING SAND PADS ON LIFTS NOT EQUIPPED WITH THE EASY-LEVEL™ LEVELING SYSTEM, DO NOT LOOSEN THE ADJUSTMENT BOLT MORE THAN TWO REVOLUTIONS, OR IT MAY BECOME DISENGAGED FROM THE NON-ACCESSIBLE INTERNAL NUT.

STEP SEVEN

A. Once you are finished leveling your lift, completely disconnect and remove the transporter winch system.

B. Using the boat lift's winch, VSD, hydraulic system, raise the lifting platform high enough to float the transporter out of the lift.

Note: If your lift is a hydraulic model and you need additional height to remove the transporter, refer to Step 2.

LIFT REMOVAL

To remove your lift, repeat the previous steps. While the lift is floating, retract the leveling legs.