

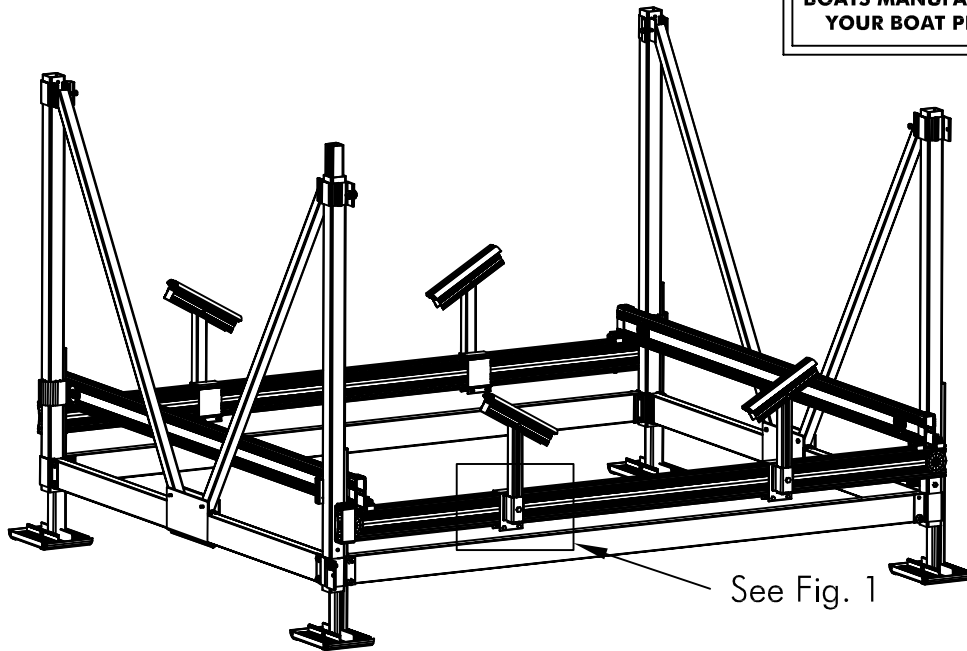
# ADJUSTABLE CRADLE PADS

## ASSEMBLY INSTRUCTIONS

P/N 511-03002-00

### BUNK/CRADLE PAD DISCLAIMER

DUE TO THE LARGE VARIETY OF BOAT HULL DESIGNS,  
WE STRONGLY RECOMMEND THAT YOU CONSULT WITH YOUR  
BOATS MANUFACTURER TO INSURE THAT YOU ARE SUPPORTING  
YOUR BOAT PROPERLY TO AVOID ANY POTENTIAL DAMAGE.



1. Slide the 1/2" nut and 1/2" washer into support tube slot as shown in Fig.'s 1 and 2. Insert the tubes in the clamps and tighten using the 1/2" x 1" bolt. Adjust height and Torque to 70 ft. lbs.
2. Attach the tube clamp bracket to the cradle beam using the 3/8" x 3" bolts and nuts. See Fig. 1. Once you have placed the brackets in their final location, torque bolts to 35 ft. lbs.

After the correct adjustment, support tube may need to be cut to allow ground clearance in shallow water.

