

SINGLE VERTICAL PVC GUIDE-IN SYSTEMS

V2000-VSD5000 LIFTS

ASSEMBLY INSTRUCTIONS

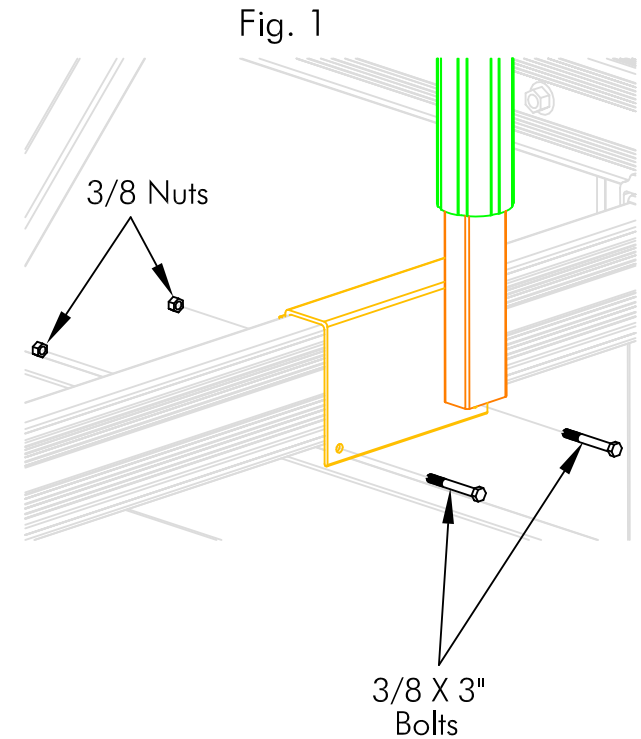
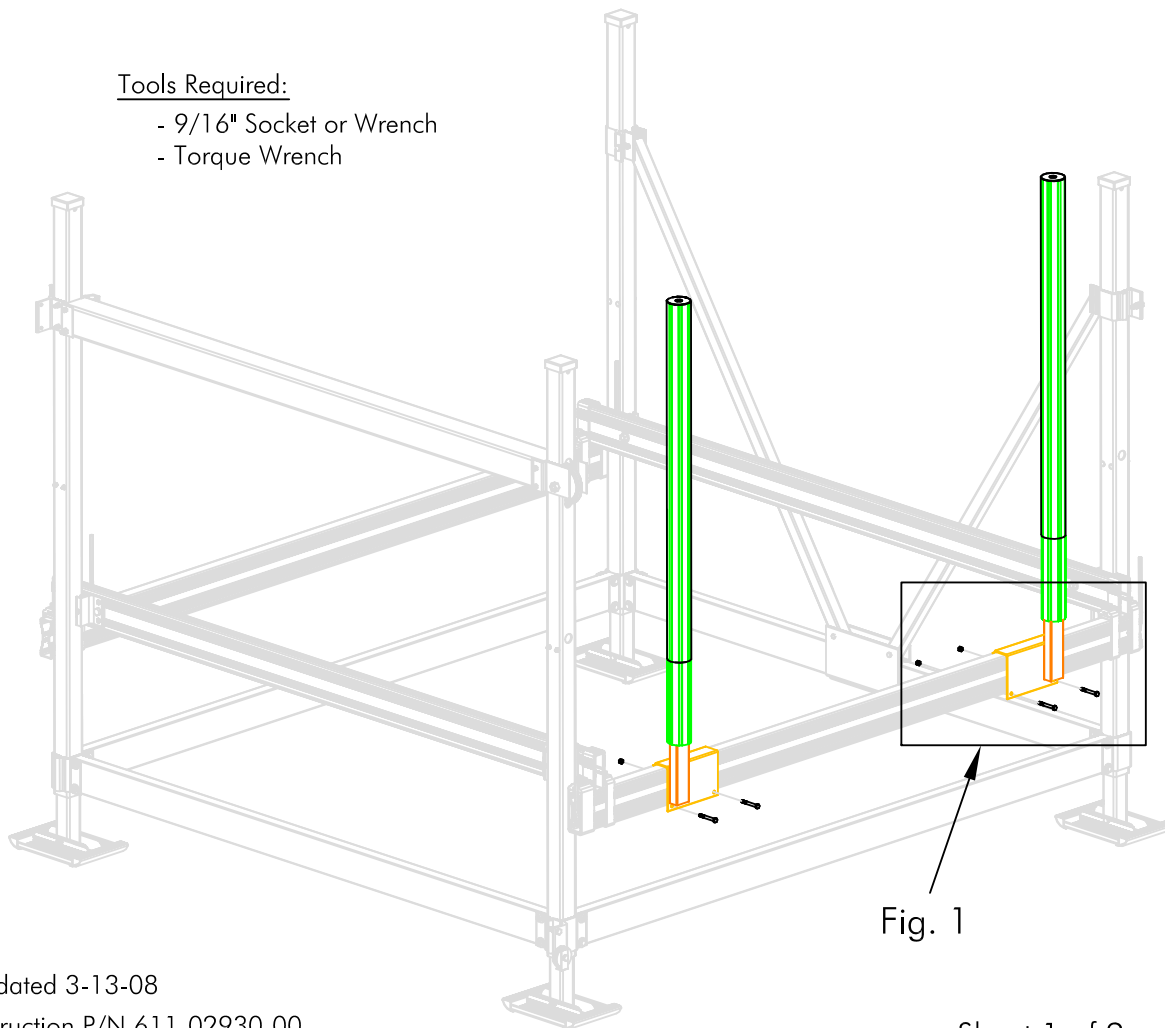
P/N 511-02930-00



1. Attach the tube clamp bracket to the cradle beam using the 3/8" x 3" bolts and nuts. See Fig. 1.
2. Once you have placed the brackets in their final location, torque bolts to 35 ft. lbs.

Tools Required:

- 9/16" Socket or Wrench
- Torque Wrench



SINGLE VERTICAL PVC GUIDE-IN SYSTEM EXPLODED VIEW

NO.	PART NO.	QTY.	DESCRIPTION
1	111-00204-00	1	WELDMENT, SINGLE GUIDE-IN (L)
2	111-00205-00	1	WELDMENT, SINGLE GUIDE-IN (R)
3	958-00504-00	2	TUBE, 3.381 DIA. PVC - 66.5"
4	511-02850-00	1	COVER, GREY SDP (PAIR)
5	001-70115-00	4	HHCS, 3/8-16 x 3" 18-8 SS
6	001-76349-00	4	NUT, 3/8-16 ALUMINUM

