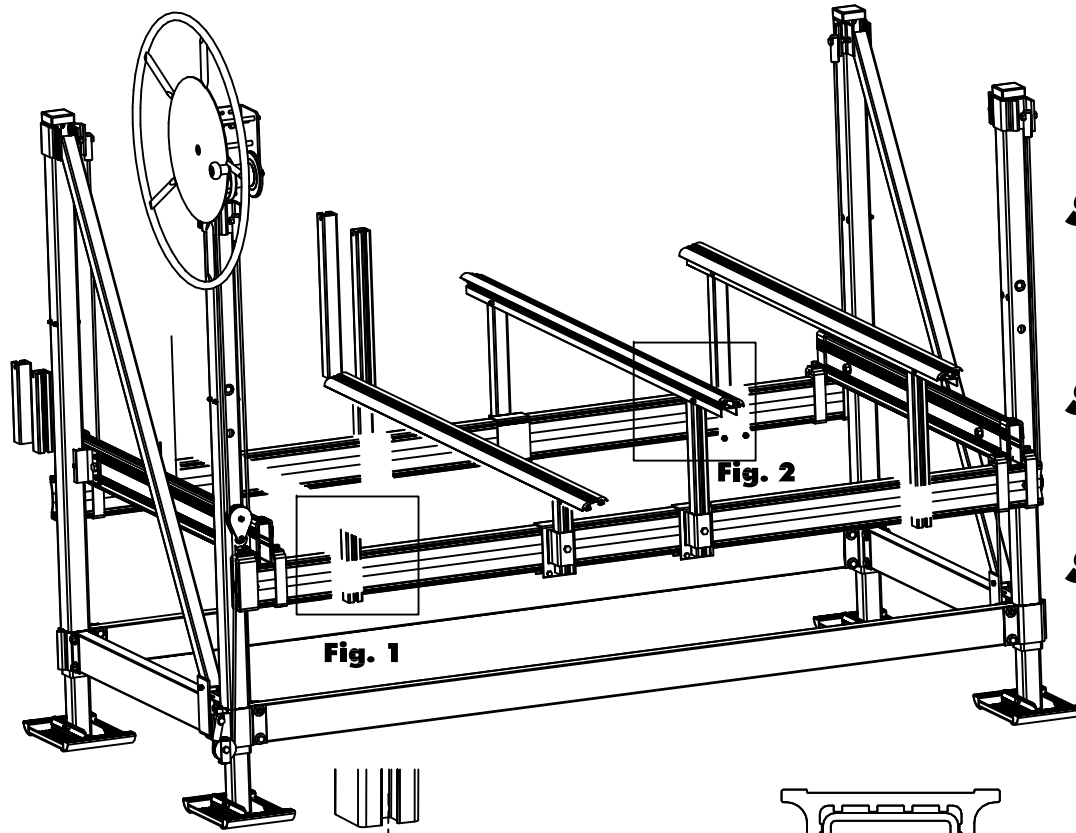


FLOE V-2002/V-2602 BUNK SYSTEM

ASSEMBLY INSTRUCTIONS

P/N 511-02710-00



Step 1

Insert a 1/2" x 1" bolt and flat washer thru the inside of each of the support tube pockets. Slide the support tubes into the pockets so the bolt head and the washer slide into the track of the support tube as shown in Fig. 3. Adjust height and torque to 70 ft. lbs. See Fig.2.

Step 2

Attach the tube clamp bracket to the cradle beam using the 3/8" x 3" bolts and nuts. See Fig. 1. Once you have placed the brackets in their final location, torque to 35 ft. lbs.

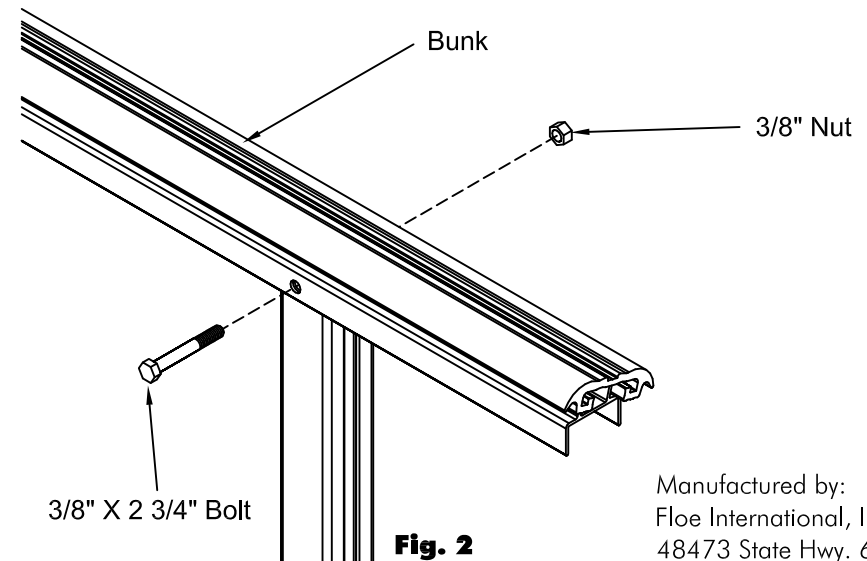
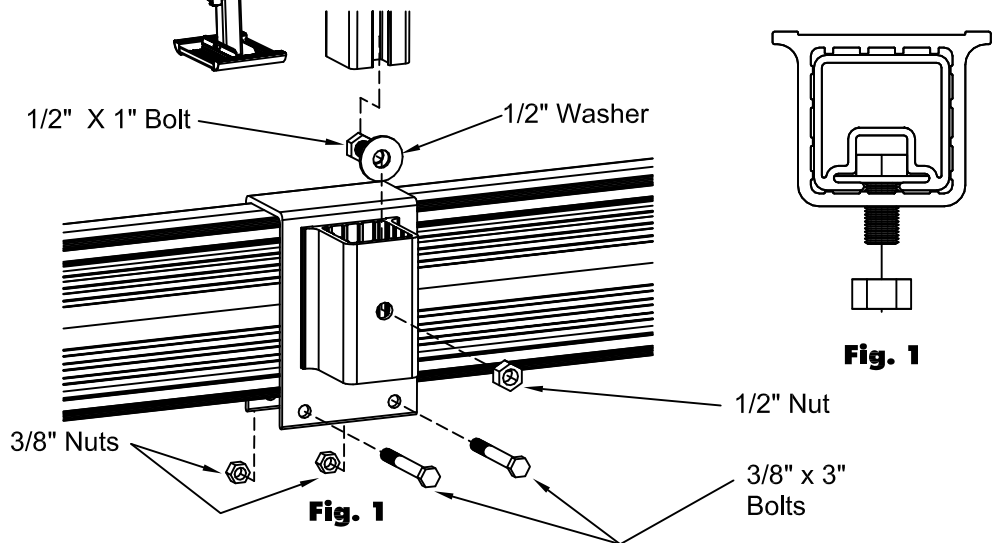
Step 3

Clamp the bunks to the tubes using the 3/8" x 2 3/4" bolts and nuts. See Fig. 2. Torque to 35 ft. lbs.

Tools Required
2-9/16" Sockets or wrenches.
2-3/4" Sockets or wrenches.
Torque Wrench

Step 4

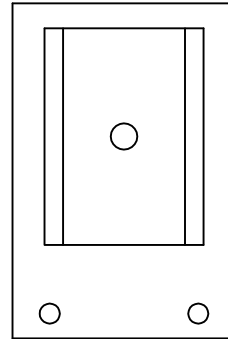
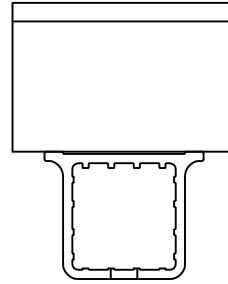
Adjust bunk location and height as required and re-torque all the bolts.



Floe V2002 Bunk System

Parts List

Kit P/N 511-02710-00



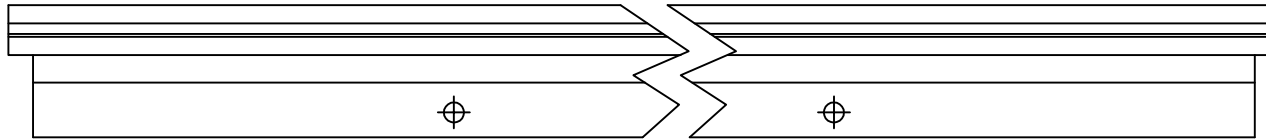
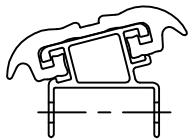
P/N 111-00163-00
(4) Weld't, Tube Pocket



P/N-002-03370-00
(4) 10.5" Bunk Support Tube



P/N 002-03371-00
(4) 21.5" Bunk Support Tube



P/N 111-10011-00
(4) 82" Bunk Assembly

FASTENERS FOR: FULL LENGTH BUNK

ISSUE 3/13/02
KIT P/N 511-04219-00
007-11819-00

P/N 001-70115-00
(8) 3/8" x 3" BOLTS
TORQUE TO 35 ft. lbs.

P/N 001-76349-00
(12) 3/8" ALUM. NUTS

P/N 001-70114-00
(4) 3/8" x 2 3/4" BOLTS
TORQUE TO 35 ft. lbs.

P/N 001-71022-00
(4) 1/2" USS SS FLAT WASHERS

P/N 001-76350-00
(4) 1/2" ALUM. NUTS

Floe International, Inc.
48473 State Hwy 65
McGregor, MN 55760
www.floerintl.com

P/N 511-04219-00
(2) Fastener Card