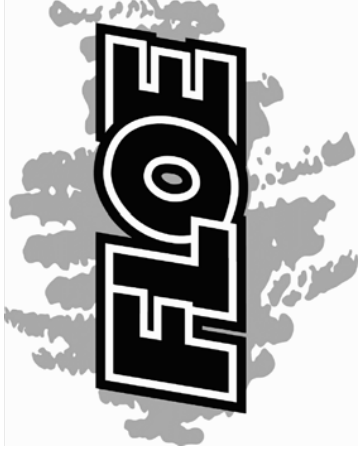
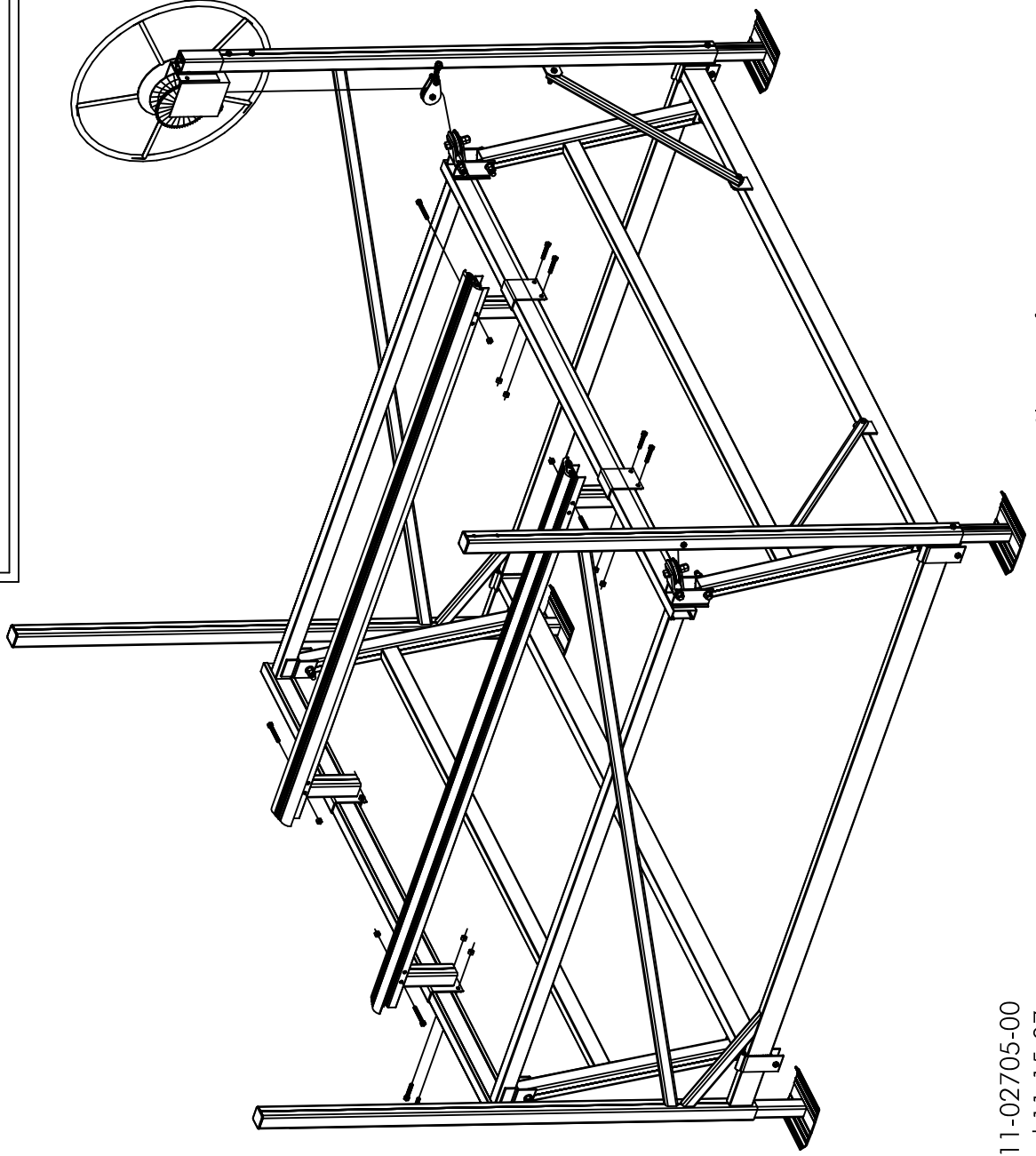


# **FLOE P-1200 & P-1600 FULL LENGTH PVC BUNK SYSTEM ASSEMBLY INSTRUCTIONS P/N 511-02705-00**



**BUNK/CRADLE PAD DISCLAIMER**

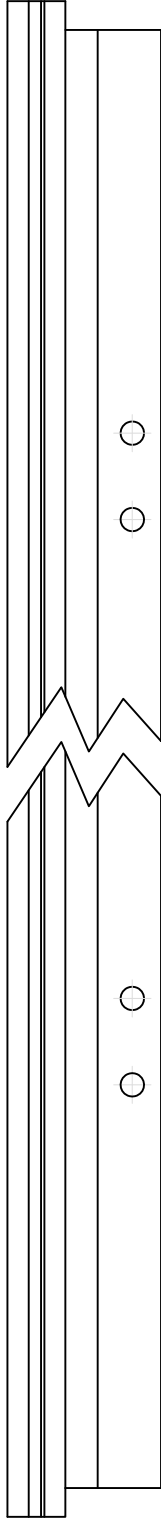
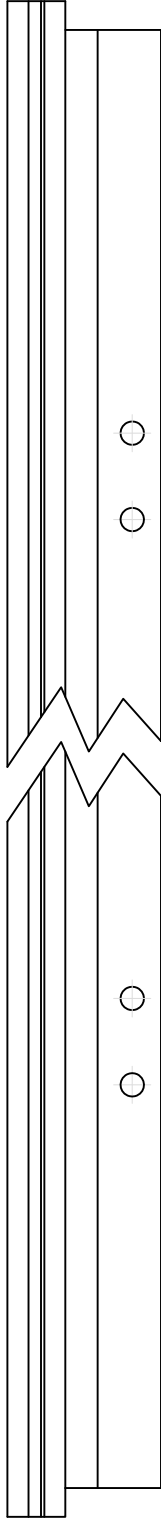
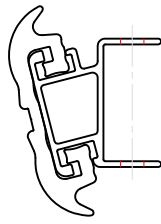
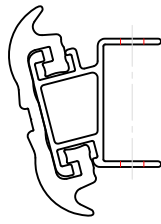
**DUE TO THE LARGE VARIETY OF BOAT HULL DESIGNS,  
WE STRONGLY RECOMMEND THAT YOU CONSULT WITH YOUR  
BOATS MANUFACTURER TO INSURE THAT YOU ARE SUPPORTING  
YOUR BOAT PROPERLY TO AVOID ANY POTENTIAL DAMAGE.**



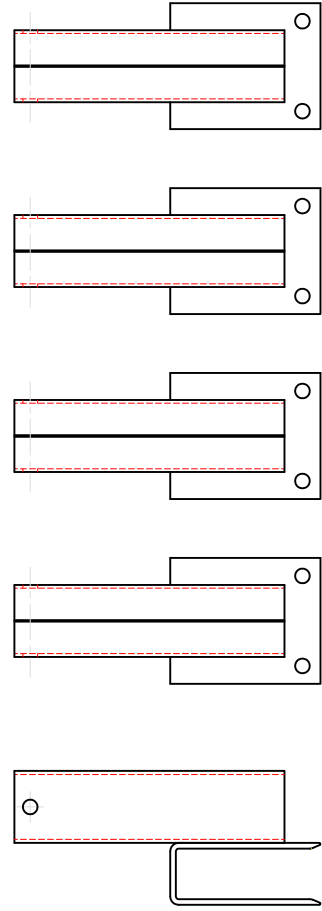
**TOOLS REQUIRED  
(2) 9/16" SOCKETS OR  
WRENCHES  
TORQUE WRENCH**

# FLOE P-1200 & P-1600 FULL LENGTH PVC BUNK SYSTEM

**PARTS LIST**  
**P/N 511-02705-00**



**(2) 82" FULL LENGTH BUNKS w/PVC - P/N 111-10011-00**



**(4) CRADLE CLAMPS - P/N 111-00039-00**

**FASTENERS FOR: FLOE P800/1000 FULL BUNK  
FLOE P800/1000 WOOD BUNK**

P/N 001-76349-00  
(12) 3/8" NUTS

P/N 001-70114-00  
(4) 3/8" x 2 3/4" BOLTS  
TORQUE TO 30 ft. lbs.

P/N 001-70112-00  
(8) 3/8" x 2 1/4" BOLTS  
TORQUE TO 35 ft. lbs.

ISSUE 02-15-00  
KIT P/N 511-04204-00  
007-11807-00

**(1) FASTENER KIT - P800/1300 FULL BUNK**

Manufactured by:  
Flo International Inc.  
48473 State Hwy. 65  
McGregor, MN. 55760  
www.flointl.com

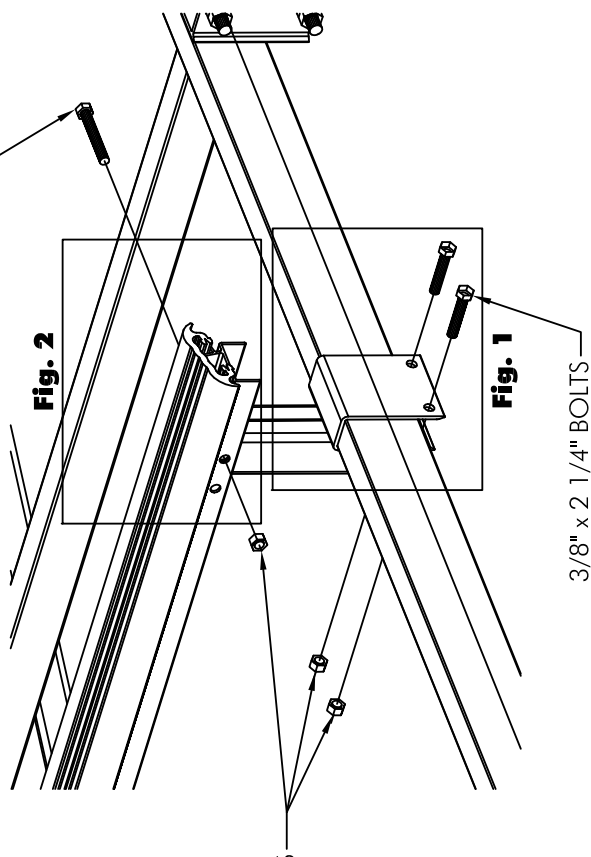
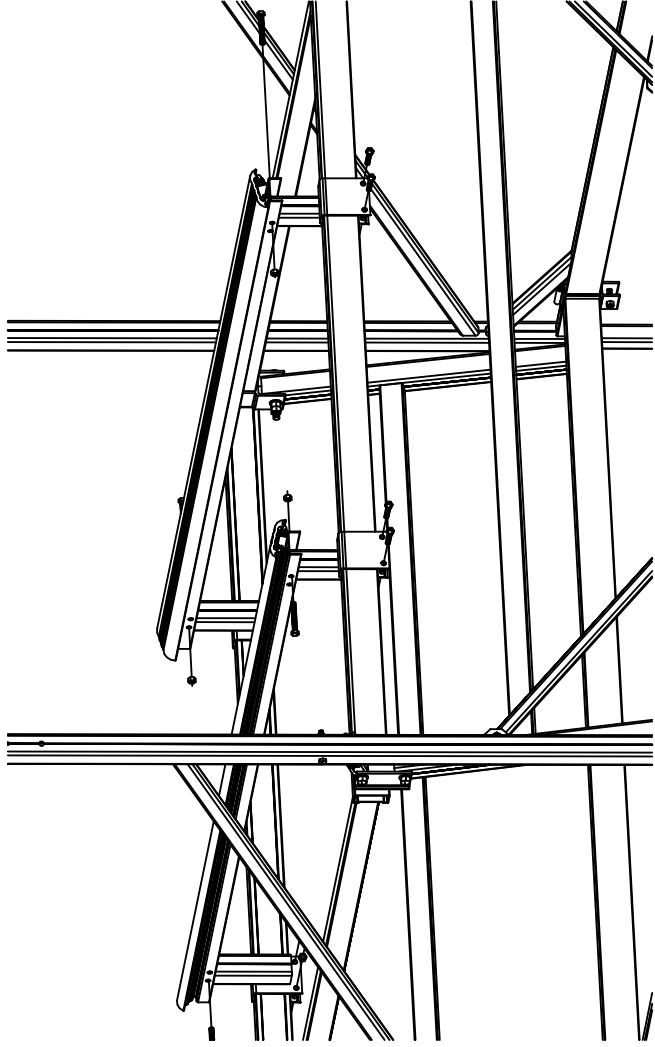
# FLOE P-1200 & P-1600 FULL LENGTH PVC BUNK SYSTEM ASSEMBLY INSTRUCTIONS P/N 511-02705-00

## Step 1

Place bunk clamp on cradle beam and fasten with (2) 3/8" x 2 1/4" bolts and aluminum nuts. See Fig. 1

## Step 2

Attach bunk to the tube using a 3/8" x 2 3/4" bolt and aluminum nut. Bunks should slant toward the middle of lift. See Fig. 2



### Important Note:

The lift should be installed with 6" of water above the top of the bunks while the lift is in the lowered position. This will provide adequate clearance for launching and docking of your watercraft and also help prevent float off in the raised position during high wave conditions.