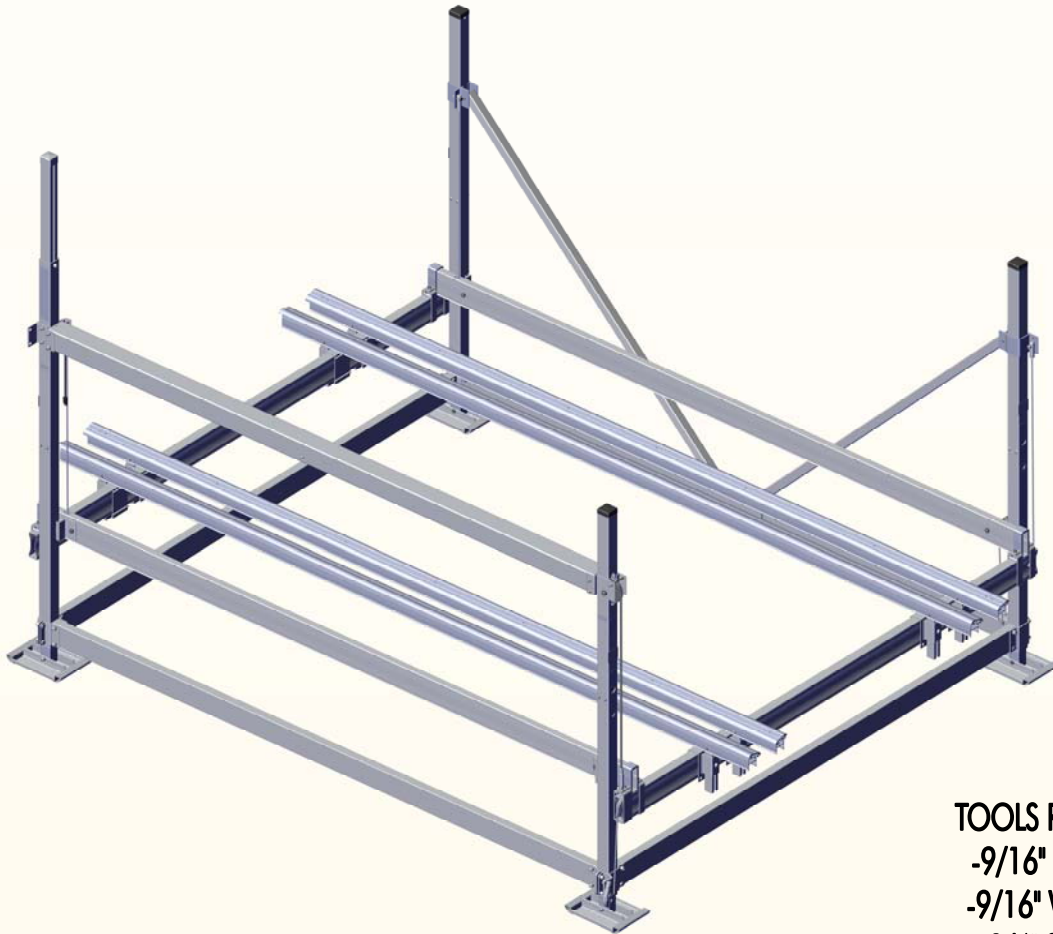


**FLOE FULL-LENGTH PONTOON BUNKS
ASSEMBLY INSTRUCTIONS
KIT P/N 511-02476-00
5000# PONTOON LIFT**



TOOLS REQUIRED
-9/16" SOCKET
-9/16" WRENCH
-3/4" SOCKET
-TORQUE WRENCH
-TAPE MEASURE

LIFT NOT INCLUDED

Instructions P/N
611-02476-00
Issued 4/4/17

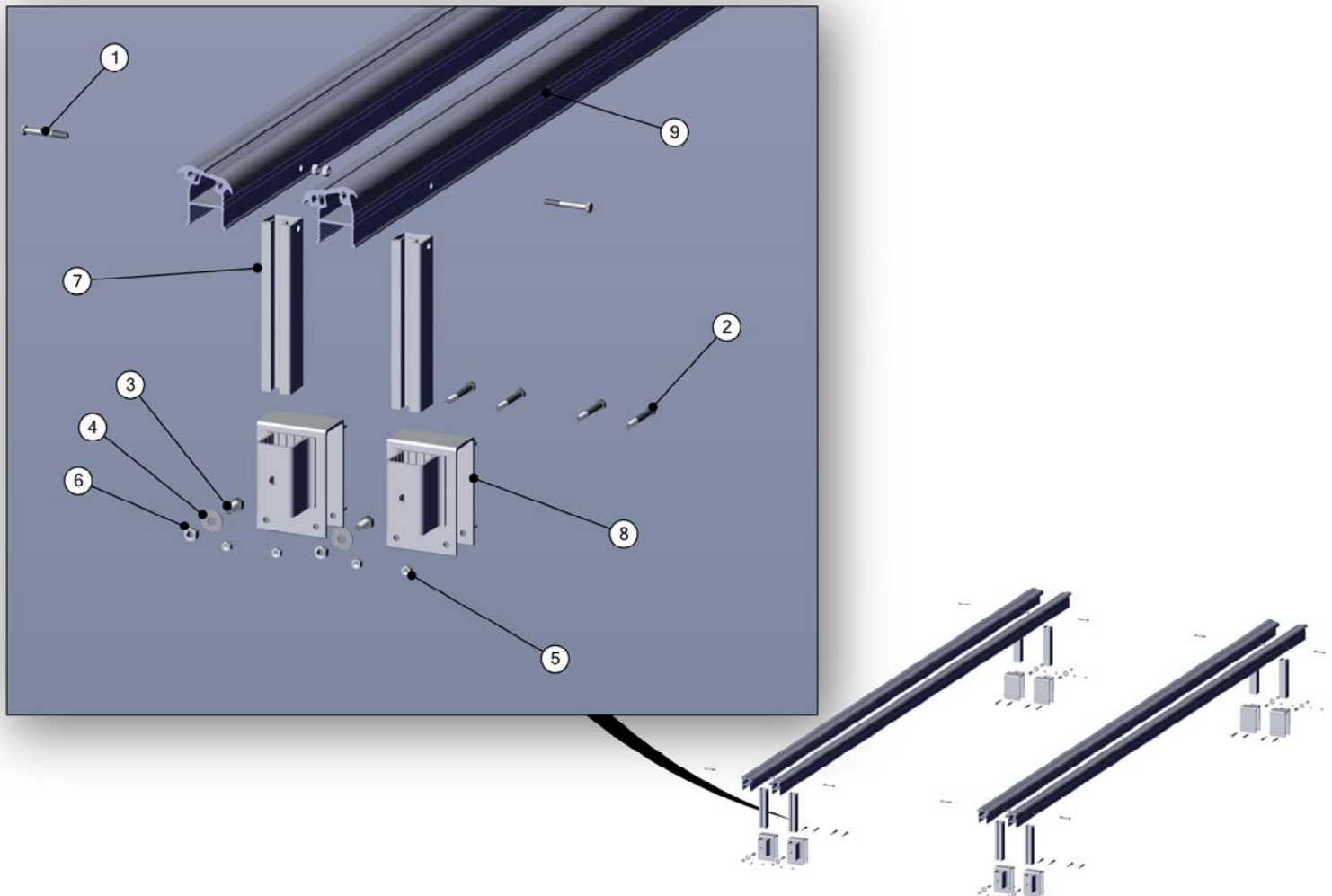
PAGE 1 OF 6

©Manufactured by:
Floe International Inc.
48473 State Hwy. 65
McGregor, MN 55362
www.floeintl.com

FLOE FULL LENGTH PONTOON BUNKS

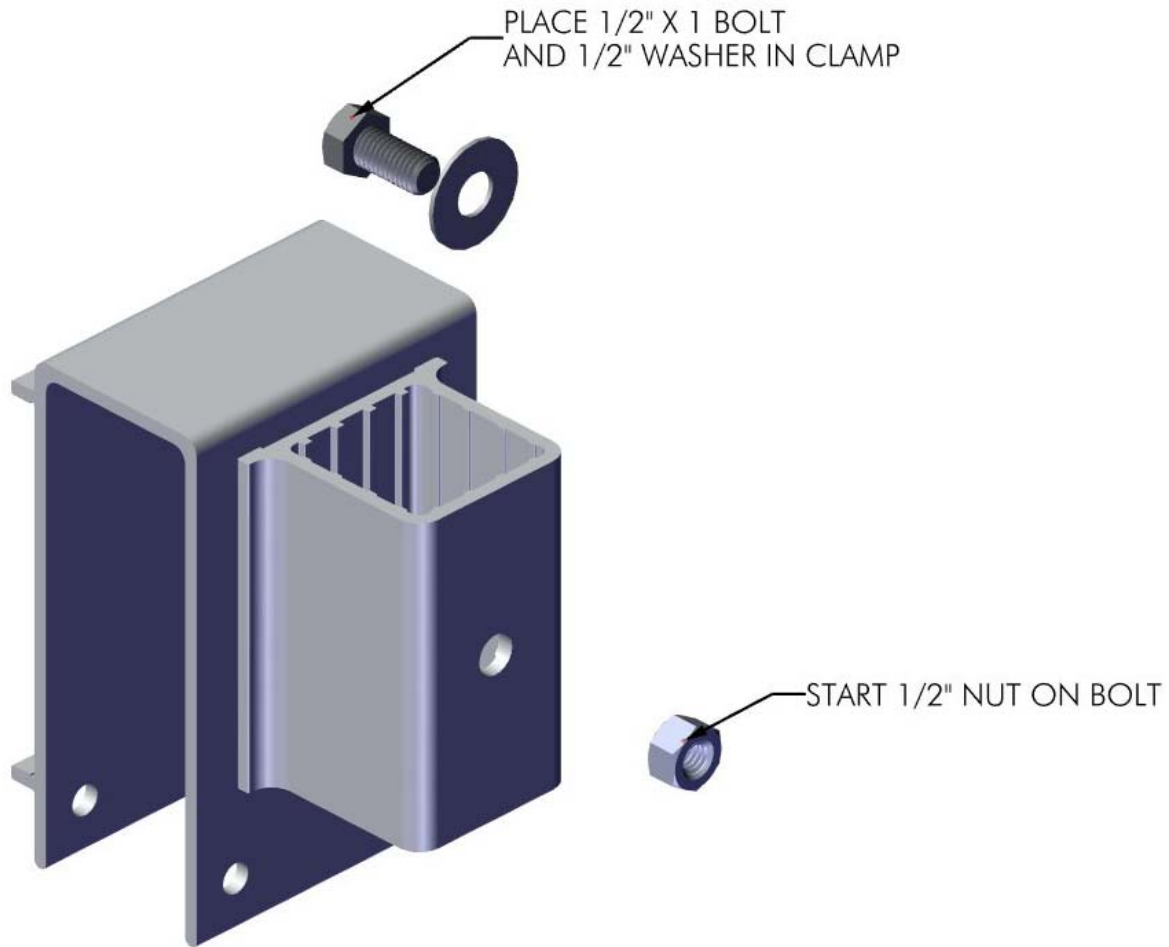
511-02476-00/ 5000# PONTOON LIFT

| 511-02476-00 | | | |
|--------------|--------------|-------------------------------|------|
| ITEM | PART NUMBER | DESCRIPTION | QTY. |
| 1 | 001-70114-00 | HHCS, 3/8-16 X 2-3/4" 18-8 SS | 8 |
| 2 | 001-70115-00 | HHCS, 3/8-16 X 3" 18-8 SS | 16 |
| 3 | 001-70205-00 | HHCS 1/2-13 X 1" SS 18-8 | 8 |
| 4 | 001-71022-00 | FLATWASHER, 1/2" USS 18-8 SS | 8 |
| 5 | 001-76349-00 | NUT, 3/8-16 ALUMINUM | 24 |
| 6 | 001-76350-00 | NUT, 1/2-13 ALUMINUM | 8 |
| 7 | 002-03370-00 | TUBE, BUNK SUPPORT – 10.5" | 8 |
| 8 | 111-00163-00 | WELD'T, TUBE POCKET | 8 |
| 9 | 111-00451-00 | ASS'Y FL PON. BUNK – 182" | 4 |



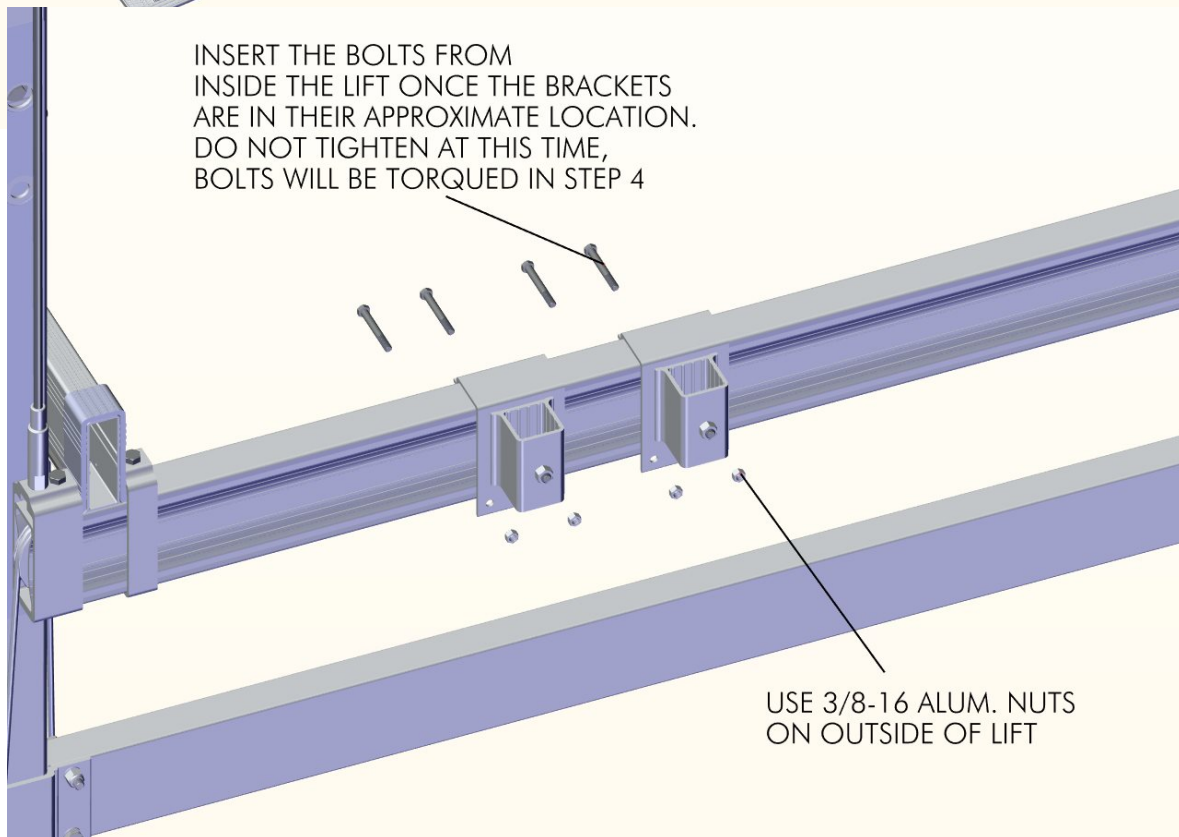
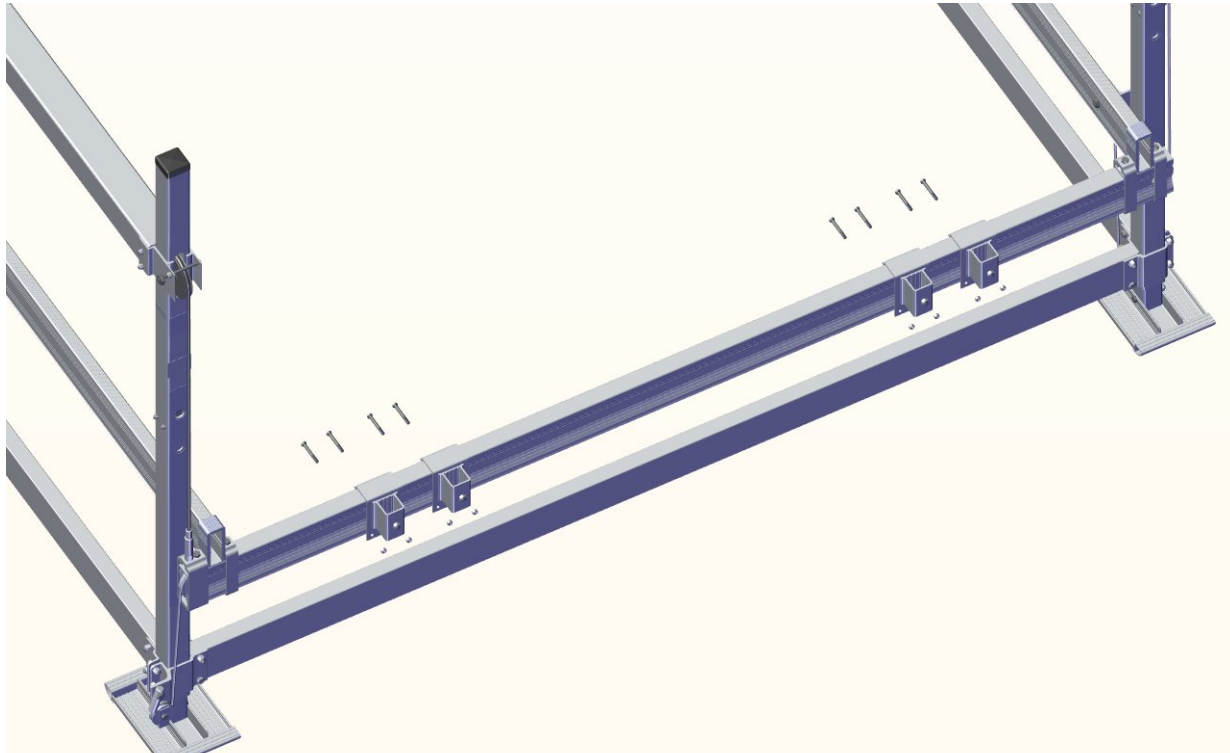
STEP 1

-PREPARE CLAMPS



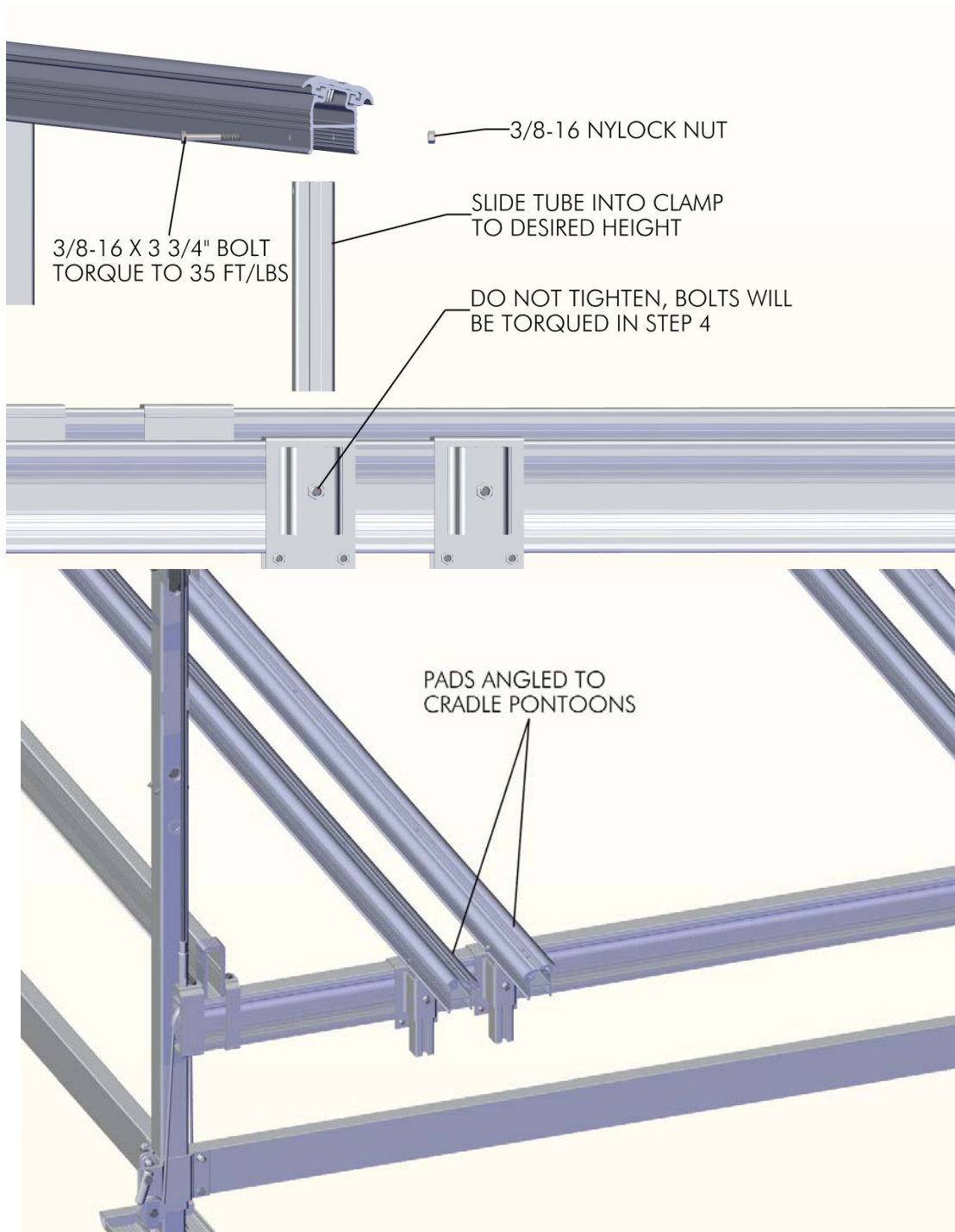
STEP 2

-PLACE CLAMPS ONTO FRONT AND REAR CRADLE BEAMS WITH POCKETS AND TUBES TOWARDS THE OUTSIDE OF THE LIFT



STEP 3

-FASTENING BUNKS



STEP 4

FOLLOW THESE GUIDELINES FOR USING AND LOCATING THE PONTOON BUNKS.

-THE WIDTH OF THE BUNKS SHOULD KEEP THE PONTOONS OFF THE CRADLE BEAMS.

-THE BUNKS SHOULD BE KEPT AS LOW AS POSSIBLE (NOT QUITE TOUCHING THE CLAMP).

-TO PLACE BUNKS, FIND CENTER BETWEEN PONTOONS AND CENTER OF THE CRADLE BEAM USING A TAPE MEASURE. USE THE DISTANCE TO CENTER OF THE BOAT FROM PONTOONS AND TRANSLATE MEASUREMENT TO CRADLE BEAM TO DETERMINE CENTER OF EACH PAIR OF BUNKS.

-THE REAR OF A 21' PONTOON BOAT SHOULD OVERHANG PAST THE LIFT BY 3'. FOR EVERY ADDITIONAL FOOT IN LENGTH OF THE BOAT, IT SHOULD OVERHANG BY AN ADDITIONAL 6" BEYOND THE REAR OF THE LIFT.

THESE ARE GENERAL GUIDELINES THAT CAN BE ADJUSTED FOR AN INDIVIDUAL'S CIRCUMSTANCES.

-ONCE BUNKS ARE IN THEIR FINAL LOCATION, TORQUE BRACKET BOLTS FROM STEP 2 TO 35 FT/LBS AND BOLTS FROM STEP 3 TO 70 FT/LBS

