

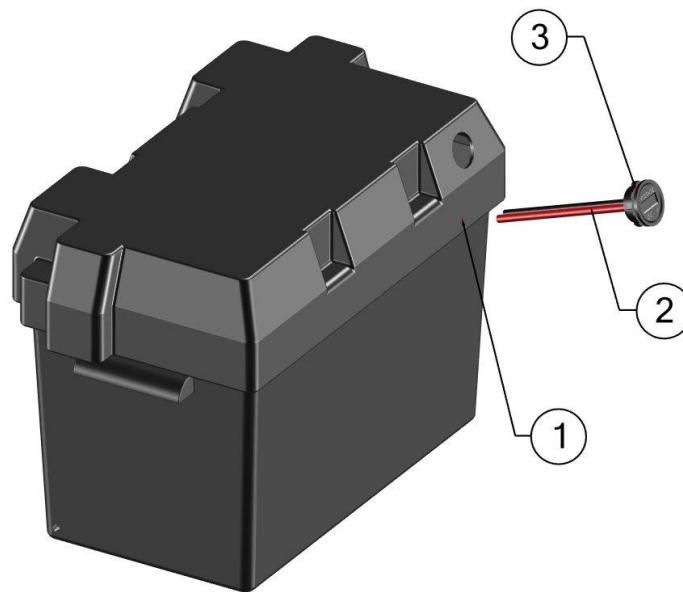
FLOE BATTERY BOX ASSEMBLY W/ VOLT METER

ASSEMBLY INSTRUCTIONS

P/N 111-00461-00

BILL OF MATERIALS

ITEM NUMBER	PART NUMBER	DESCRIPTION	QTY
1	002-03108-00	Battery Box, Fabled for Volt Meter	1
2	007-05367-00	Harness, Battery Box Volt Meter	1
3	007-05368-00	Meter, 12 Volt LED	1



ASSEMBLY

1. PLACE BATTERY INSIDE OF BATTERY BOX.
2. CONNECT AND SECURE THE RING TERMINAL FROM THE RED WIRE TO POSITIVE TERMINAL OF THE BATTERY AND THE RING TERMINAL FROM THE BLACK WIRE TO THE NEGATIVE TERMINAL OF THE BATTERY.
3. PLACE BATTERY BOX COVER OVER BATTERY COVER.

INSTRUCTION P/N: 611-00461-00
RELEASED 8/24/17

© Manufactured by:
Floe International Inc.
48473 State Hwy. 65
McGregor, MN 55362
www.floeintl.com

